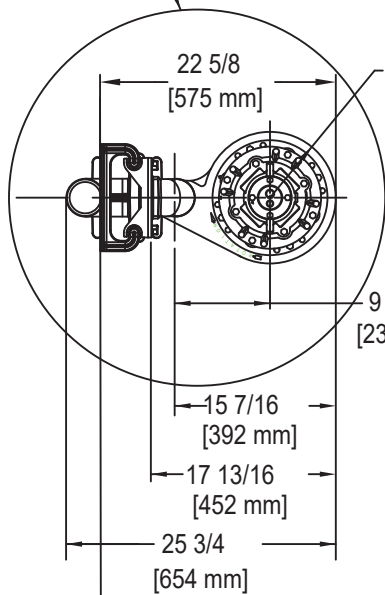
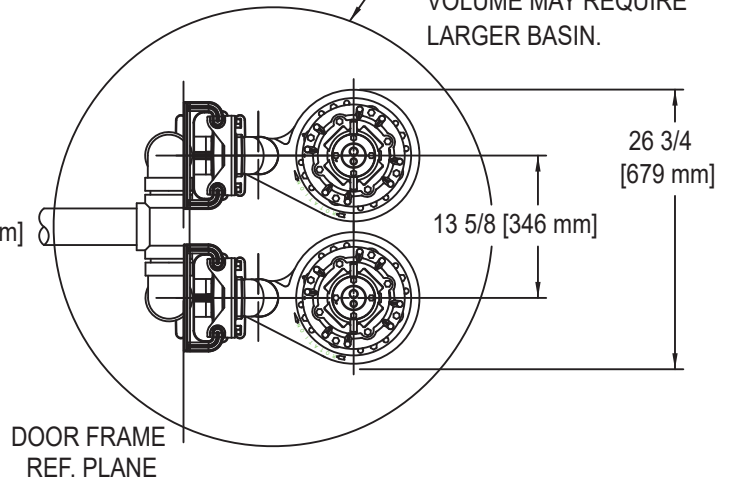


36 INCH DIAMETER
MINIMUM FOR SIZE ONLY.
VOLUME MAY REQUIRE
LARGER BASIN.



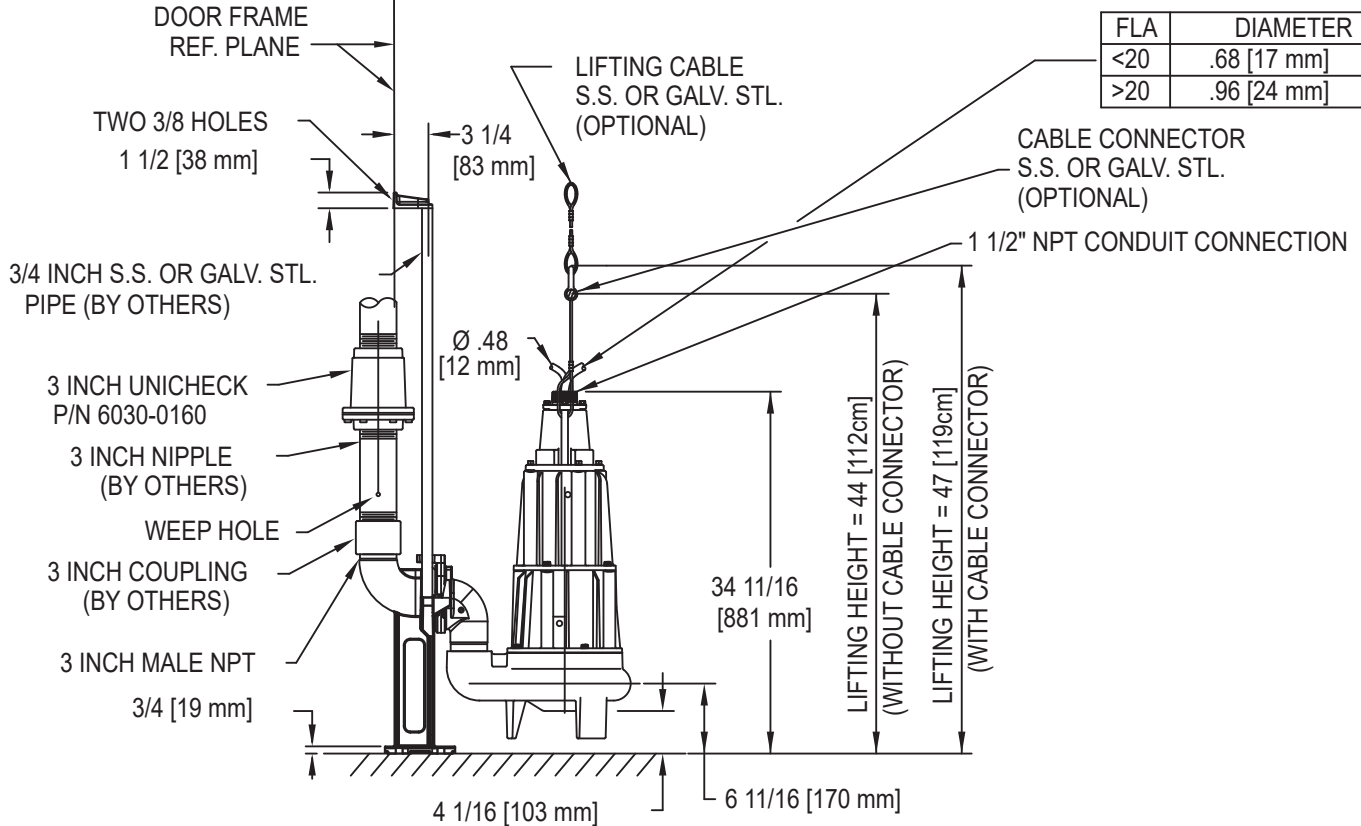
SIMPLEX INSTALLATION

42 INCH DIAMETER
MINIMUM FOR SIZE ONLY.
VOLUME MAY REQUIRE
LARGER BASIN.



DUPLEX INSTALLATION

DIMENSIONS IN BASED ON STANDARD ANSI FITTING SIZES
CHECK VALVES REQUIRED, NOT SHOWN FOR CLARITY
ALL DIMENSIONS IN INCHES UNLESS OTHERWISE NOTED



FLA	DIAMETER
<20	.68 [17 mm]
>20	.96 [24 mm]

LIFTING HEIGHT = 44 [112cm]
(WITHOUT CABLE CONNECTOR)

LIFTING HEIGHT = 47 [119cm]
(WITH CABLE CONNECTOR)