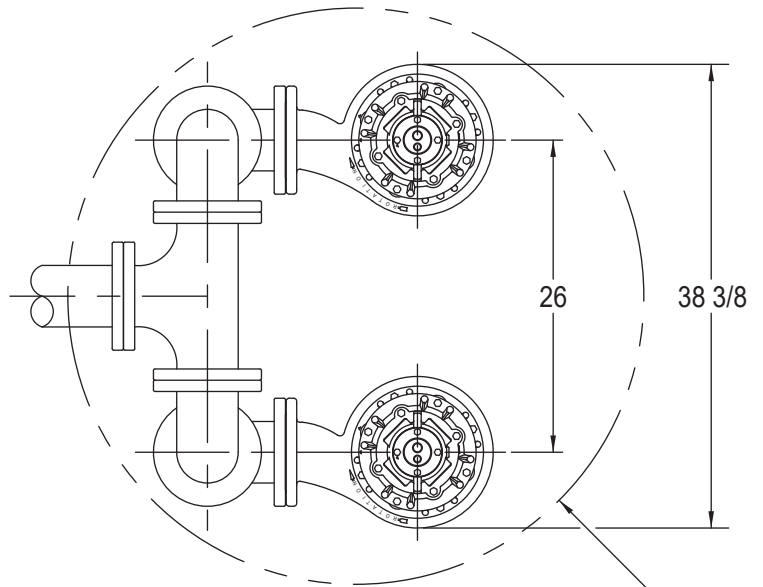


SIMPLEX INSTALLATION



DUPLEX INSTALLATION

DIMENSIONS BASED ON STANDARD ANSI FITTING SIZES
CHECK VALVES REQUIRED, NOT SHOWN FOR CLARITY
ALL DIMENSIONS IN INCHES UNLESS OTHERWISE NOTED

48 INCH DIAMETER
MINIMUM FOR SIZE ONLY.
VOLUME MAY REQUIRE
LARGER BASIN.

