

Product information presented here reflects conditions at time of publication. Consult factory regarding discrepancies or inconsistencies.



MAIL TO: P.O. BOX 16347 • Louisville, KY 40256-0347  
 SHIP TO: 3649 Cane Run Road • Louisville, KY 40211-1961  
 Tel: (502) 778-2731 • 1 (800) 928-PUMP

Visit our website:  
 zoellerpumps.com

## REPLACEMENT PARTS LIST FOR GRINDER MODELS:

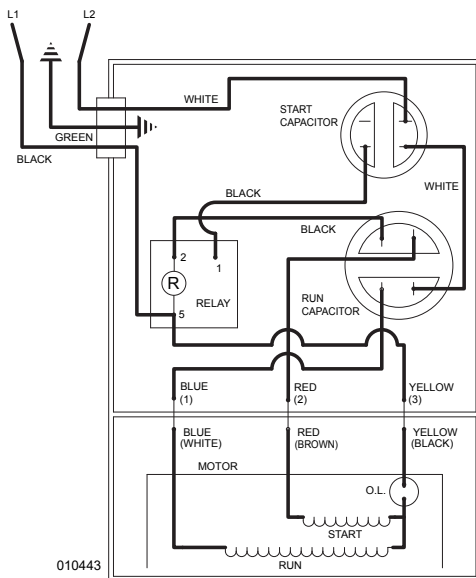
- E819 NONAUTOMATIC 230V 1PH
- I819 NONAUTOMATIC 200V 1PH
- WD819 AUTOMATIC w/wired float switch 230V 1PH
- WH819 AUTOMATIC w/wired float switch 200V 1PH
- J819 NONAUTOMATIC 200 V 3PH
- F819 NONAUTOMATIC 230 V 3PH
- G819 NONAUTOMATIC 460 V 3PH
- BA819 NONAUTOMATIC 575 V 3PH

Consult factory for all other models

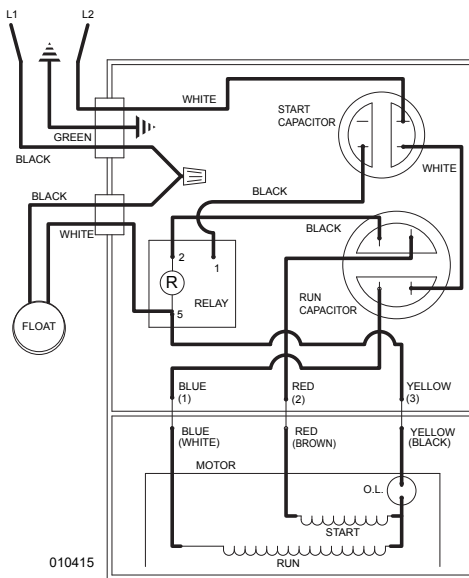
### TO ORDER REPLACEMENT PARTS:

#### PLEASE FURNISH THE FOLLOWING INFORMATION:

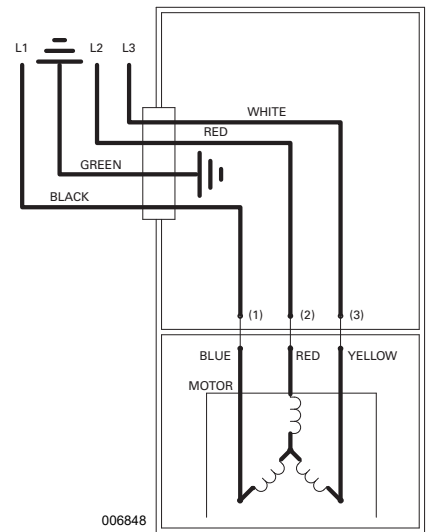
- Model Number.
- Part Number of Pump.
- Part Number and Description of part.



WIRING DIAGRAM FOR MODELS  
 "E819", "I819"  
 All Revisions



WIRING DIAGRAM FOR MODELS  
 "WD819", "WH819"  
 All Revisions



WIRING DIAGRAM FOR MODELS  
 "J819", "F819", "G819",  
 and "BA819" All Revisions  
 09/17 thru Current

**REPLACEMENT PARTS LIST FOR MODELS "E819" and "I819".**

REF NO.	DESCRIPTION	MODELS:			QTY	NOTE	11/16 thru Current	1819-A	11/16 thru Current	WH819-A
		11/16 thru Current	1819-A	11/16 thru Current						
1	HANDLE			1		217069		217069		
2	COVER & CORD NONAUTO/'819"			1	3	154296		015609		
3	COVER-MACH & HANDLE ASM			1	3	015612		015612		
4	SWITCH,FLT-TERM & SEAL "819"			0		N/A		N/A		
5	SEAL,CORD-FLOAT SWITCH			0		N/A		N/A		
6	CORD TERM&SEAL			1	3	154297		015615		
7	SEAL,CORD-ASM&STR RLF			1	3	015634		015634		
8	GASKET,CASE/COVER			1		001011		001011		
9	WIRE PKG (6 WIRES)			1		010833		010833		
10	CAPACITOR-START & CLAMP ASM.			1		010829		010829		
11	CAPACITOR-RUN & CLAMP ASM			1		010830		010830		
12	RELAY,MOTOR STARTING			1		014601		014601		
13	PLUG,TEST			2		015023		015023		
14	SEAL,THRU WALL TERM			3		003402		003402		
15	HOUSING,MTR-&STR			1	4	018231		018232		
16	BEARING,6201			1		006703		006703		
17	KEY			1		011711		011711		
18	ROTOR & BRG ASM/1PH "819"			1		018230		018230		
19	BEARING,7303			1		009861		009861		
20	SEAL,MTR HSG			1		001014		001014		
21	OIL,DIELECTRIC			1		018233		018233		
22	ADAPTER-MACH			1		001003		001003		
23	SEAL,SHAFT			1		002430		002430		
24	WASHER,SUPPORT-SS			1		010863		010863		
25	COLLAR,SHAFT			1		010409		010409		
26	IMPELLER-PLASTIC '819"			1		153908		153908		
27	HOUSING,PUMP-MACH '819"			1		154088		154088		
28	CUTTER & DISC ASM/'819"			1		154292		154292		
29	CUTTER SHIM SET			1		012632		012632		
30	WASHER,RETAINING			1		008533		008533		
31	CONNECTOR,WIRENUT 14-16GA			0		N/A		N/A		
32	SCREW,25-20X.75" SH CAP SS			6		007768		007768		
33	SCREW,25-20 X .75LG HH SS (NYLOCK)			1		009545		009545		
34	SCREW,313-18 X 1" HH CAP-SS			4		002608		002608		
35	SCREW,25-20X1" HHM-S.S.			4		007790		007790		
36	SCREW,25-20X.75 HHM-SS/INDENTED/UNSLOT			4		001916		001916		
37	SCREW,#6-32X.25RHM SL TC STLGR			5		001877		001877		
38	SPRING,BEARING PRELOAD			1		017192		017192		
39	SCREW,#6-32X.375RHM SL TC ZINC PLATED			1		019421		019421		
40	DISC, CUTTER			1		153203		153203		
41	CUTTER & SHIM ASM/2 BLADE/.75" SCREW			1		154295		154295		
42	INSULATOR FLAG TERMINAL			3		001797		001797		
□	REBUILD KIT E & I "819"			1		018234		018234		

• Items included in Rebuild Kit. □ Not Shown in Illustration.

**REPLACEMENT PARTS LIST FOR MODELS "WD819" and "WH819".**

REF NO.	DESCRIPTION	MODELS:			QTY	NOTE	10/08 thru Current	WH819-A
		10/08 thru Current	WD819-A	10/08 thru Current				
1	HANDLE			1		217069		217069
2	COVER,CORD & FLT			1		154301		154301
3	COVER-MACH & HANDLE ASM			1	3	015613		015613
4	SWITCH,FLT-TERM & SEAL "819"			1	3	010827		010827
5	SEAL,CORD-FLOAT SWITCH			1		011065		011071
6	CORD TERM & SEAL			1	3	154308		015633
7	SEAL,CORD-ASM&STR RLF			1	3	015634		015634
8	GASKET,CASE/COVER			1		001011		001011
9	WIRE PKG (6 WIRES)			1		010833		010833
10	CAPACITOR-START & CLAMP ASM.			1		010829		010829
11	CAPACITOR-RUN & CLAMP ASM			1		010830		010830
12	RELAY,MOTOR STARTING			1		014601		014601
13	PLUG,TEST			2		015023		015023
14	SEAL,THRU WALL TERM			3		003402		003402
15	HOUSING,MTR-&STR			1	4	018231		018231
16	BEARING,6201			1		006703		006703
17	KEY			1		011711		011711
18	ROTOR & BRG ASM/1PH "819"			1		018230		018230
19	BEARING,7303			1		009861		009861
20	SEAL,MTR HSG			1		001014		001014
21	OIL,DIELECTRIC			1		018233		018233
22	ADAPTER-MACH			1		001003		001003
23	SEAL,SHAFT			1		002430		002430
24	WASHER,SUPPORT-SS			1		010863		010863
25	COLLAR,SHAFT			1		010409		010409
26	IMPELLER-PLASTIC '819"			1		153908		153908
27	HOUSING,PUMP-MACH '819"			1		154088		154088
28	CUTTER & DISC ASM/'819"			1		154292		154292
29	CUTTER SHIM SET			1		012632		012632
30	WASHER,RETAINING			1		008533		008533
31	CONNECTOR,WIRENUT 14-16GA			1		003753		003753
32	SCREW,25-20X.75" SH CAP SS			6		007768		007768
33	SCREW,25-20 X .75LG HH SS (NYLOCK)			1		009545		009545
34	SCREW,313-18 X 1" HH CAP-SS			4		002608		002608
35	SCREW,25-20X1" HHM-S.S.			4		007790		007790
36	SCREW,25-20X.75 HHM-SS/INDENTED/UNSLOTTED			4		001916		001916
37	SCREW,#6-32X.25RHM SL TC STLGR			5		001877		001877
38	SPRING,BEARING PRELOAD			1		017192		017192
39	SCREW,#6-32X.375RHM SL TC ZINC			1		019421		019421
40	DISC, CUTTER			1		153203		153203
41	CUTTER & SHIM ASM/2 BLADE/.75" SCREW			1		154295		154295
42	INSULATOR FLAG TERMINAL			3		001797		001797
□	REBUILD KIT WD & WH "819"			1		018234		018234

• Items included in Rebuild Kit. □ Not Shown in Illustration. See back page for illustration.

# REPLACEMENT PARTS LIST FOR MODELS “J819”, “F819”, “G819” & “BA819”

See back page for illustration.

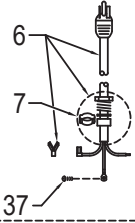
REF NO.	DESCRIPTION	QTY	NOTE	MODELS:			
				J819-A	F819-A	G819-A	BA819-A
				09/17 thru Current	09/17 thru Current	09/17 thru Current	09/17 thru Current
1	• HANDLE	1		217069	217069	217069	217069
2	COVER AND CORD 3PH/NONAUTO '819'	1		154685	154685	154685	154685
3	COVER-MACH & HANDLE ASM	1		015612	015612	015612	015612
4	SWITCH,FLT-TERM & SEAL	0		N/A	N/A	N/A	N/A
5	SEAL, CORD-FLOAT SWITCH	0		N/A	N/A	N/A	N/A
6	CORD TERM & SEAL	1		014177	014177	014177	014177
7	• SEAL, CORD-ASM & STR RLF	1		015634	015634	015634	015634
8	• GASKET, CASE/COVER	1		001011	001011	001011	001011
9	• WIRE PKG (6 WIRES)	0		N/A	N/A	N/A	N/A
10	CAPACITOR-START & CLAMP ASM	0		N/A	N/A	N/A	N/A
11	CAPACITOR-RUN & CLAMP ASM	0		N/A	N/A	N/A	N/A
12	RELAY, VOLTAGE SENSING	0		N/A	N/A	N/A	N/A
13	• PLUG, TEST	2		015023	015023	015023	015023
14	• SEAL, THRU WALL TERM	3		003402	003402	003402	003402
15	HOUSING, MTR & STR	1	4	154676	154677	154679	154670
16	• BEARING, 6201	1		006703	006703	006703	006703
17	KEY	1		011711	011711	011711	011711
18	ROTOR & BRG ASM 3PH '819'	1		154698	154698	154698	154698
19	• BEARING, 7303	1		009861	009861	009861	009861
20	• SEAL, MTR HSG	1		001014	001014	001014	001014
21	• OIL, DIELECTRIC	1		018233	018233	018233	018233
22	ADAPTER-MACH	1		001003	001003	001003	001003
23	• SEAL, SHAFT	1		002430	002430	002430	002430
24	WASHER, SUPPORT-SS	1		010863	010863	010863	010863
25	COLLAR, SHAFT	1		010409	010409	010409	010409
26	IMPELLER-PLASTIC '819'	1		153908	153908	153908	153908
27	HOUSING, PUMP-MACH '819'	1		154088	154088	154088	154088
28	CUTTER & DISC ASM '819'	1		154292	154292	154292	154292
29	CUTTER SHIM SET	1		012632	012632	012632	012632
30	WASHER, RETAINING	1		008533	008533	008533	008533
31	CONNECTOR,WIRENUT 14-16GA	0		N/A	N/A	N/A	N/A
32	• SCREW, .25-.20 X .75" SH CAP SS	6		007768	007768	007768	007768
33	• SCREW, .25-.20 X .75" HH SS (NYLOCK)	1		009545	009545	009545	009545
34	• SCREW, .313-18 X 1" HH CAP SS	4		002608	002608	002608	002608
35	• SCREW, .25-.20 X 1" HHM SS	4		007790	007790	007790	007790
36	• SCREW, .25-.20 X .75" HHM SS/INDENTED/UNSLOT	4		001916	001916	001916	001916
37	• SCREW, #6-32X.25RHM SL TC STLGR	1		001877	001877	001877	001877
38	• SPRING, BEARING PRELOAD	1		017192	017192	017192	017192
39	• SCREW, #6-32X.375RHM SL TC ZINC PLATED	0		N/A	N/A	N/A	N/A
40	DISC, CUTTER	1		153203	153203	153203	153203
41	CUTTER & SHIM ASM/2 BLADE/.75" SCREW	1		154295	154295	154295	154295
42	INSULATOR FLAG TERMINAL	0		N/A	N/A	N/A	N/A
	REBUILD KIT	1		018234	018234	018234	018234

**NOTES:**

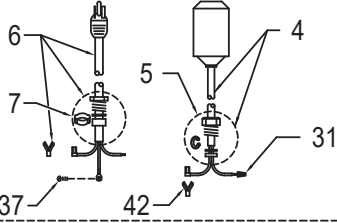
- 1) See FM0160 Price Sheet for listing of parts prices.
- 2) "N/A" indicates, not applicable.
- 3) If an "X" follows Model No., or Date Mfg. on brass ID tag, consult factory for ordering of this part.
- 4) Housing, MTR & Stator (Item 15) is preassembled at factory and must be replaced as a unit. Stator is permanently attached to the Motor Housing. Plug (Item 13) and Seal, thru Wall Term. (Item 14) and Bearing (Item 16) are replaceable.

# REPLACEMENT PARTS ILLUSTRATION FOR 819 - ALL MODELS

"E & N" MODELS  
WITH PLUG

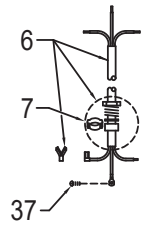


"WM & WD" MODELS  
WITH PLUG

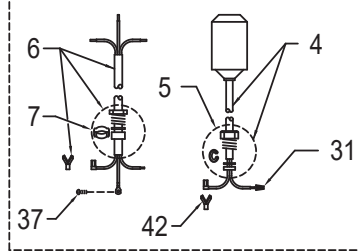


APPLICABLE CORD, SEAL & GROUND SCREW

"I" MODELS  
WITHOUT PLUG



"WH" MODELS  
WITHOUT PLUG



"J, F, G  
& BA" MODELS

