

Product information presented here reflects conditions at time of publication. Consult factory regarding discrepancies or inconsistencies.



MAIL TO: P.O. BOX 16347 • Louisville, KY 40256-0347  
 SHIP TO: 3649 Cane Run Road • Louisville, KY 40211-1961  
 Tel: (502) 778-2731 • 1 (800) 928-PUMP

Visit our website:  
 zoellerpumps.com

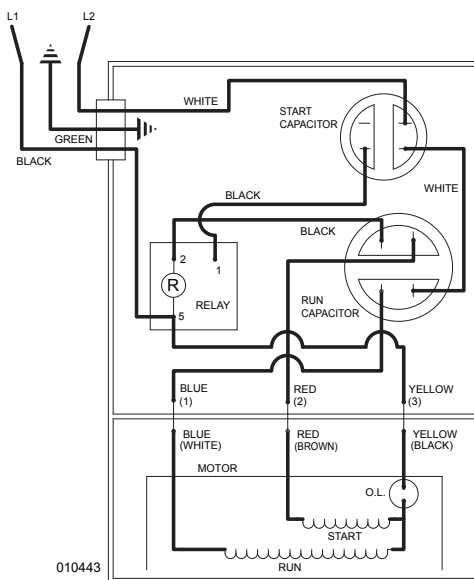
## REPLACEMENT PARTS LIST FOR GRINDER MODELS:

- N818 NONAUTOMATIC 115V 1PH
  - E818 NONAUTOMATIC 230V 1PH
  - I818 NONAUTOMATIC 200V 1PH
  - WM818 AUTOMATIC w/wired float switch 115V 1PH
  - WD818 AUTOMATIC w/wired float switch 230V 1PH
  - WH818 AUTOMATIC w/wired float switch 200V 1PH
  - J818 NONAUTOMATIC 200 V 3PH
  - F818 NONAUTOMATIC 230 V 3PH
  - G818 NONAUTOMATIC 460 V 3PH
  - BA818 NONAUTOMATIC 575 V 3PH
- Consult factory for all other models

### TO ORDER REPLACEMENT PARTS:

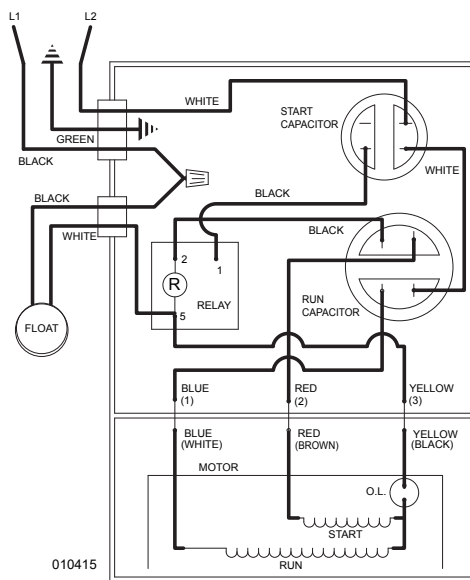
#### PLEASE FURNISH THE FOLLOWING INFORMATION:

- Model Number.
- Part Number of Pump.
- Part Number and Description of part.



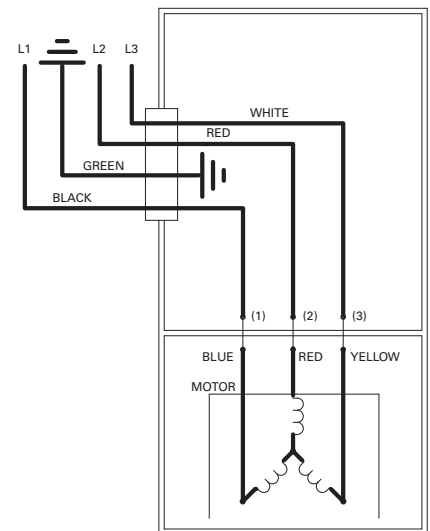
010443

WIRING DIAGRAM FOR MODELS  
 "N818", "E818", "I818"  
 All Revisions



010415

WIRING DIAGRAM FOR MODELS  
 "WM818", "WD818", "WH818"  
 All Revisions



006848

WIRING DIAGRAM FOR MODELS  
 "J818", "F818",  
 "G818", and "BA818" All Revisions  
 09/17 thru Current

**REPLACEMENT PARTS LIST FOR MODELS “N818”, “E818” and “I818”.**

See back page for illustration.

REF NO.	DESCRIPTION	MODELS:		N818-A	E818-A	E818-B	I818-A
		QTY	NOTE	11/16 thru Current	11/16 thru 09/18	10/18 thru Current	11/16 thru Current
1	• HANDLE	1		217069	217069	217069	217069
2	COVER & CORD 115V/1PH/NONAUTO/"818"	1	3	154280	154296	154296	015609
3	COVER-MACH & HANDLE ASM	1	3	015612	015612	015612	015612
4	SWITCH,FLT-TERM & SEAL	0		N/A	N/A	N/A	N/A
5	SEAL,CORD-FLOAT SWITCH	0		N/A	N/A	N/A	N/A
6	CORD TERM&SEAL	1	3	154289	154297	154297	015615
7	• SEAL,CORD-ASM&STR RLF	1	3	015634	015634	015634	015634
8	• GASKET,CASE/COVER	1		001011	001011	001011	001011
9	• WIRE PKG (6 WIRES)	1		010833	010833	010833	010833
10	CAPACITOR-START & CLAMP ASM.	1		010829	010829	010829	010829
11	CAPACITOR-RUN & CLAMP ASM	1		010830	010830	010830	010830
12	RELAY,MOTOR STARTING	1		154312	154312	154312	154312
13	• PLUG,TEST	2		015023	015023	015023	015023
14	• SEAL,THRU WALL TERM	3		003402	003402	003402	003402
15	HOUSING,MTR-&STR	1	4	154290	018235	154298	154299
16	• BEARING,6201			006703	006703	006703	006703
17	KEY	1		011711	011711	011711	011711
18	ROTOR & BRG ASM/1PH "818"	1		154291	018230	154291	154291
19	• BEARING,7303	1		009861	009861	009861	009861
20	• SEAL,MTR HSG	1		001014	001014	001014	001014
21	• OIL,DIELECTRIC	1		018233	018233	018233	018233
22	ADAPTER-MACH	1		001003	001003	001003	001003
23	• SEAL,SHAFT	1		002430	002430	002430	002430
24	WASHER,SUPPORT-SS	1		010863	010863	010863	010863
25	COLLAR,SHAFT	1		010409	010409	010409	010409
26	IMPELLER-PLASTIC "818"	1		153909	153909	153909	153909
27	HOUSING,PUMP-MACH "818"	1		154088	154088	154088	154088
28	CUTTER & DISC ASM./"818"	1		154292	154292	154292	154292
29	CUTTER SHIM SET	1		012632	012632	012632	012632
30	WASHER,RETAINING	1		008533	008533	008533	008533
31	CONNECTOR,WIRENUT 14-16GA	0		N/A	N/A	N/A	N/A
32	• SCREW,.25-20X.75" SH CAP SS	6		007768	007768	007768	007768
33	• SCREW,.25-20 X .75LG HH SS (NYLOCK)	1		009545	009545	009545	009545
34	• SCREW,.313-18 X 1" HH CAP-SS	4		002608	002608	002608	002608
35	• SCREW,.25-20X1" HHM-S.S.	4		007790	007790	007790	007790
36	• SCREW,.25-20X.75 HHM-SS/INDENTED/UNSLOT	4		001916	001916	001916	001916
37	• SCREW,#6-32X.25RHM SL TC STLGR	5		001877	001877	001877	001877
38	• SPRING,BEARING PRELOAD	1		017192	017192	017192	017192
39	• SCREW,#6-32X.375RHM SL TC ZINC PLATED	1		019421	019421	019421	019421
40	DISC, CUTTER	1		153203	153203	153203	153203
41	CUTTER & SHIM ASM/2BLADE/.75" SCREW	1		154295	154295	154295	154295
42	INSULATOR FLAG TERMINAL	3		001797	001797	001797	001797
o	REBUILD KIT	1		018234	018234	018234	018234

• Items included in Rebuild Kit.

o Not Shown in Illustration.

**REPLACEMENT PARTS LIST FOR MODELS “WM818”, “WD818” and “WH818”.**

REF NO.	DESCRIPTION	QTY	NOTE	MODELS:			
				WM818-A	WD818-A	WD818-B	WH818-A
				11/16 thru Current	11/16 thru 9/18	10/18 thru Current	11/16 thru Current
1	• HANDLE	1		217069	217069	217069	217069
2	COVER,CORD & FLT "818"	1		154300	154301	154301	015611
3	COVER-MACH & HANDLE ASM	1	3	015613	015613	015613	015613
4	SWITCH,FLT-TERM & SEAL	1	3	010827	010827	010827	011880
5	• SEAL,CORD-FLOAT SWITCH	1		011065	011065	011065	011071
6	CORD TERM & SEAL	1	3	154304	154308	154308	015633
7	• SEAL,CORD-ASM&STR RLF	1	3	015634	015634	015634	015634
8	• GASKET,CASE/COVER	1		001011	001011	001011	001011
9	• WIRE PKG (6 WIRES)	1		010833	010833	010833	010833
10	CAPACITOR-START & CLAMP ASM.	1		010829	010829	010829	010829
11	CAPACITOR-RUN & CLAMP ASM	1		010830	010830	010830	010830
12	RELAY,MOTOR STARTING	1		154312	154312	154312	154312
13	• PLUG,TEST	2		015023	015023	015023	015023
14	• SEAL,THRU WALL TERM	3		003402	003402	003402	003402
15	HOUSING,MTR-&STR	1	4	154290	018235	154298	154299
16	• BEARING,6201			006703	006703	006703	006703
17	KEY	1		011711	011711	011711	011711
18	ROTOR & BRG ASM/1PH "818"	1		154291	018230	154291	154291
19	• BEARING,7303	1		009861	009861	009861	009861
20	• SEAL,MTR HSG	1		001014	001014	001014	001014
21	• OIL,DIELECTRIC	1		018233	018233	018233	018233
22	ADAPTER-MACH	1		001003	001003	001003	001003
23	• SEAL,SHAFT	1		002430	002430	002430	002430
24	WASHER,SUPPORT-SS	1		010863	010863	010863	010863
25	COLLAR,SHAFT	1		010409	010409	010409	010409
26	IMPELLER-PLASTIC "818"	1		153909	153909	153909	153909
27	HOUSING,PUMP-MACH "818"	1		154088	154088	154088	154088
28	CUTTER & DISC ASM./"818"	1		154292	154292	154292	154292
29	CUTTER SHIM SET	1		012632	012632	012632	012632
30	WASHER,RETAINING	1		008533	008533	008533	008533
31	• CONNECTOR,WIRENUT 14-16GA	1		003753	003753	003753	003753
32	• SCREW,.25-20X.75" SH CAP SS	6		007768	007768	007768	007768
33	• SCREW,.25-20 X .75LG HH SS (NYLOCK)	1		009545	009545	009545	009545
34	• SCREW,.313-18 X 1"HH CAP-SS	4		002608	002608	002608	002608
35	• SCREW,.25-20X1" HHM-S.S.	4		007790	007790	007790	007790
36	• SCREW,.25-20X.75 HHM-SS/ INDENTED/UNSLOTTED	4		001916	001916	001916	001916
37	• SCREW,#6-32X.25RHM SLTC STLGR	5		001877	001877	001877	001877
38	• SPRING,BEARING PRELOAD	1		017192	017192	017192	017192
39	• SCREW,#6-32X.375RHM SLTC ZINC	1		019421	019421	019421	019421
40	DISC, CUTTER	1		153203	153203	153203	153203
41	CUTTER & SHIM ASM/2BLADE/.75" SCREW	1		154295	154295	154295	154295
42	INSULATOR FLAG TERMINAL	3		001797	001797	001797	001797
□	REBUILD KIT	1		018234	018234	018234	018234

• Items included in Rebuild Kit.

□ Not Shown in Illustration.

# REPLACEMENT PARTS LIST FOR MODELS "J818", "F818", "G818" and "BA818".

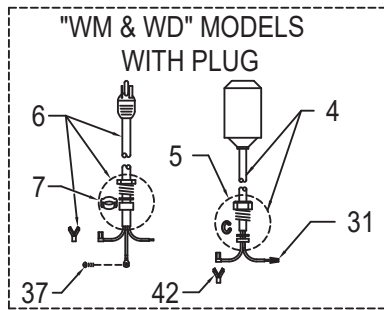
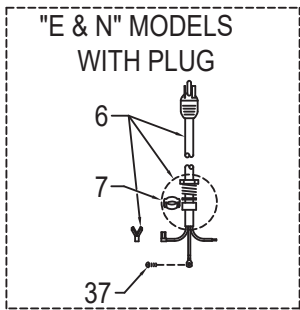
See back page for illustration.

REF NO.	DESCRIPTION	QTY	NOTE	MODELS:			
				J818-A	F818-A	G818-A	BA818-A
				09/17 thru Current	09/17 thru Current	09/17 thru Current	09/17 thru Current
1	• HANDLE	1		217069	217069	217069	217069
2	COVER AND CORD 3PH/NONAUTO "818"	1		154685	154685	154685	154685
3	COVER-MACH & HANDLE ASM	1		015612	015612	015612	015612
4	SWITCH, FLT-TERM & SEAL	0		N/A	N/A	N/A	N/A
5	SEAL, CORD-FLOAT SWITCH	0		N/A	N/A	N/A	N/A
6	CORD TERM & SEAL	1		014177	014177	014177	014177
7	• SEAL, CORD-ASM & STR RLF	1		015634	015634	015634	015634
8	• GASKET, CASE/COVER	1		001011	001011	001011	001011
9	• WIRE PKG (6 WIRES)	0		N/A	N/A	N/A	N/A
10	CAPACITOR-START & CLAMP ASM	0		N/A	N/A	N/A	N/A
11	CAPACITOR-RUN & CLAMP ASM	0		N/A	N/A	N/A	N/A
12	RELAY, VOLTAGE SENSING	0		N/A	N/A	N/A	N/A
13	• PLUG, TEST	2		015023	015023	015023	015023
14	• SEAL, THRU WALL TERM	3		003402	003402	003402	003402
15	HOUSING, MTR & STR	1	4	154676	154677	154679	154670
16	• BEARING, 6201	1		006703	006703	006703	006703
17	KEY	1		011711	011711	011711	011711
18	ROTOR & BRG ASM 3PH "818"	1		154698	154698	154698	154698
19	• BEARING, 7303	1		009861	009861	009861	009861
20	• SEAL, MTR HSG	1		001014	001014	001014	001014
21	• OIL, DIALECTRIC	1		018233	018233	018233	018233
22	ADAPTER-MACH	1		001003	001003	001003	001003
23	• SEAL, SHAFT	1		002430	002430	002430	002430
24	WASHER, SUPPORT-SS	1		010863	010863	010863	010863
25	COLLAR, SHAFT	1		010409	010409	010409	010409
26	IMPELLER-PLASTIC "818"	1		153909	153909	153909	153909
27	HOUSING, PUMP-MACH "818"	1		154088	154088	154088	154088
28	CUTTER & DISC ASM "818"	1		154292	154292	154292	154292
29	CUTTER SHIM SET	1		012632	012632	012632	012632
30	WASHER, RETAINING	1		008533	008533	008533	008533
31	CONNECTOR,WIRENUT 14-16GA	0		N/A	N/A	N/A	N/A
32	• SCREW, .25-20 X .75" SH CAP SS	6		007768	007768	007768	007768
33	• SCREW, .25-20 X .75" HH SS (NYLOCK)	1		009545	009545	009545	009545
34	• SCREW, .313-18 X 1" HH CAP SS	4		002608	002608	002608	002608
35	• SCREW, .25-20 X 1" HHM SS	4		007790	007790	007790	007790
36	• SCREW, .25-20 X .75" HHM SS/INDENTED/UNSLLOT	4		001916	001916	001916	001916
37	• SCREW, #6-32X.25RHM SL TC STLGR	1		001877	001877	001877	001877
38	• SPRING, BEARING PRELOAD	1		017192	017192	017192	017192
39	• SCREW, #6-32X.375RHM SL TC ZINC PLATED	0		N/A	N/A	N/A	N/A
40	DISC, CUTTER	1		153203	153203	153203	153203
41	CUTTER & SHIM ASM/2 BLADE/.75" SCREW	1		154295	154295	154295	154295
42	INSULATOR FLAG TERMINAL	0		N/A	N/A	N/A	N/A
	REBUILD KIT	1		018234	018234	018234	018234

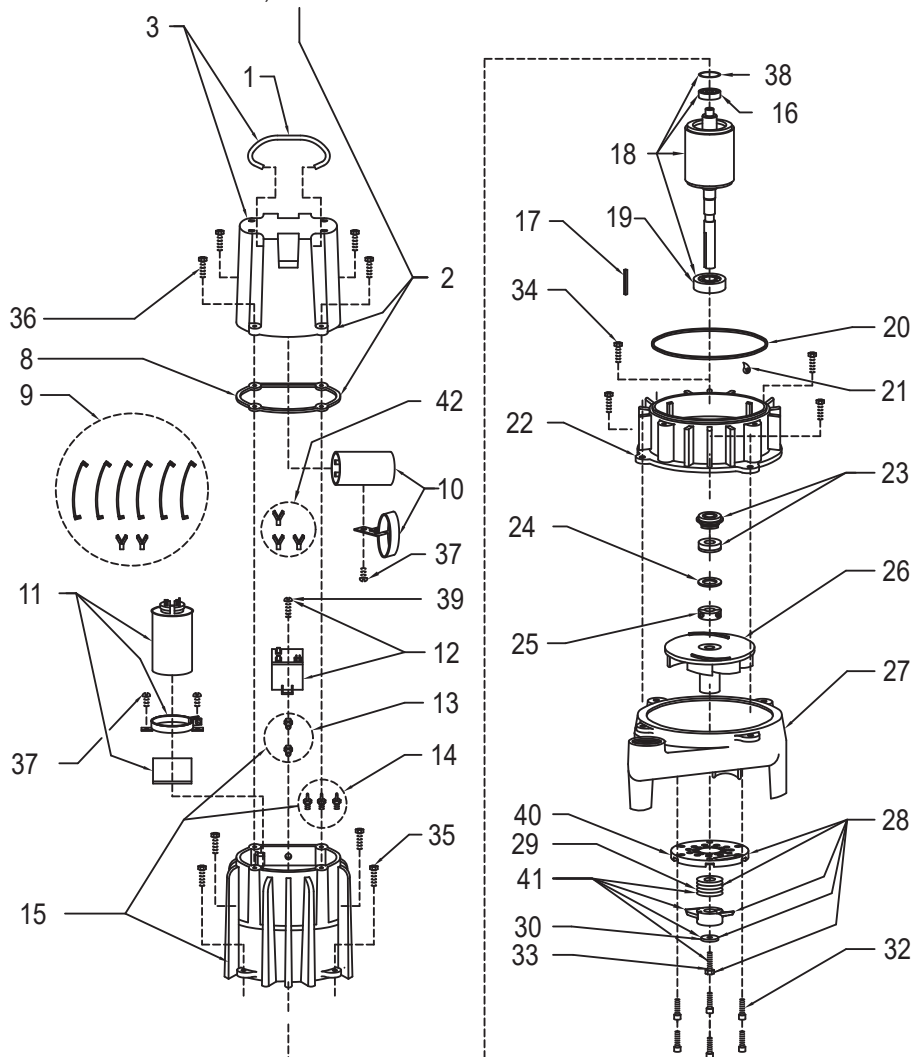
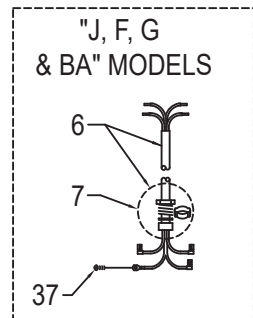
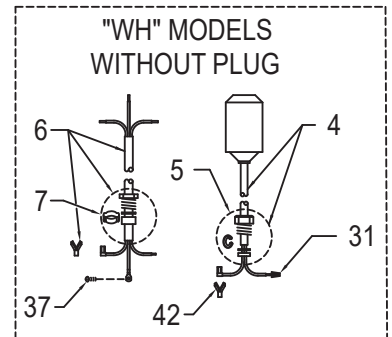
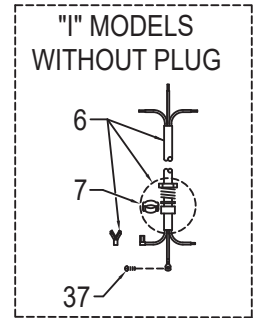
**NOTES:**

- 1) See FM0160 Price Sheet for listing of parts prices.
- 2) "N/A" indicates, not applicable.
- 3) If an "X" follows Model No., or Date Mfg. on brass ID tag, consult factory for ordering of this part.
- 4) Housing, MTR & Stator (Item 15) is preassembled at factory and must be replaced as a unit. Stator is permanently attached to the Motor Housing. Plug (Item 13) and Seal, thru Wall Term. (Item 14) and Bearing (Item 16) are replaceable.

# REPLACEMENT PARTS ILLUSTRATION FOR 818 - ALL MODELS



APPLICABLE CORD, SEAL & GROUND SCREW









MAIL TO: P.O. BOX 16347 • Louisville, KY 40256-0347  
SHIP TO: 3649 Cane Run Road • Louisville, KY 40211-1961  
Tel: (502) 778-2731 • 1 (800) 928-PUMP

Trusted. Tested. Tough.®

Visit our website:  
[zoellerpumps.com](http://zoellerpumps.com)