

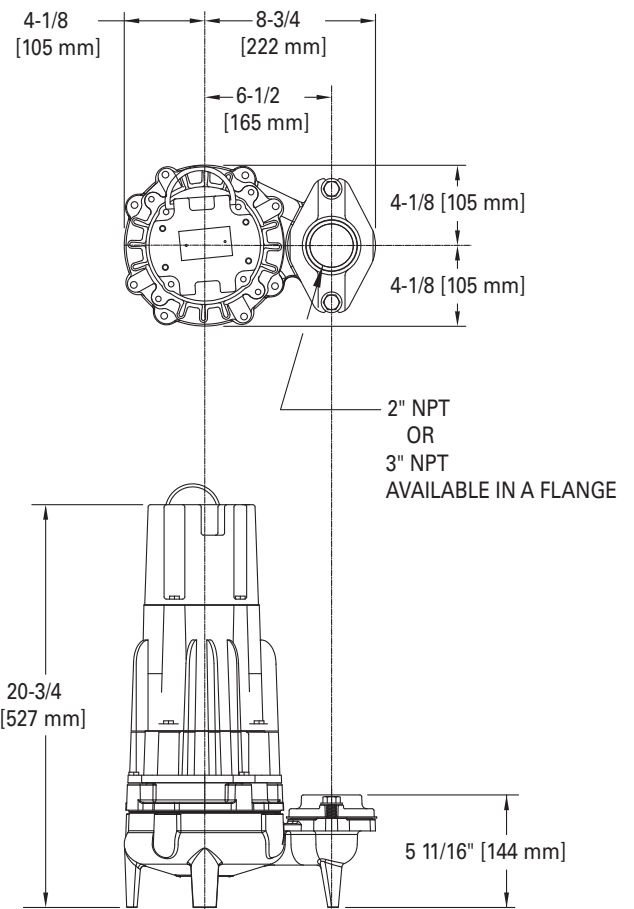
Product information presented here reflects conditions at time of publication. Consult factory regarding discrepancies or inconsistencies.

## TECHNICAL DATA SHEET

HIGH HEAD AGRICULTURAL SERIES  
*Models 4290, 4291 Double-Seal Pumps*  
*Specifically designed for lagoon or sump pit applications.*

### PRODUCT SPECIFICATIONS

<b>MOTOR</b>	Horse Power	1 or 2
	Voltage	200 - 575
	Phase	1 or 3
	Hertz	60
	RPM	3450
	Type	Permanent split capacitor or 3 Ph
	Insulation	Class B/4290, Class F/4291
	Amps	3.3 - 14.5
<b>PUMP</b>	Operation	Nonautomatic
	Discharge Size	2" or 3" NPT vertical flange
	Solids Handling	1-1/2" (38 mm) spherical solids
	Cord Length	50' (15 m) standard
	Cord Type	UL listed neoprene
	Max. Head	46' (14 m)
	Max. Flow Rate	176 GPM (11.1 m <sup>3</sup> /hr)
	Max. Operating Temp.	130°F (54°C)
	Cooling	Oil filled
	Motor Protection	Auto reset thermal overload (1 Ph)
<b>MATERIALS</b>	Cap	Cast iron
	Motor Housing	Cast iron
	Pump Housing	Cast iron
	Base	Cast iron
	Upper Bearing	Ball bearing
	Lower Bearing	Ball bearing
	Mechanical Seals	Silicon carbide/carbon upper, silicon carbide/silicon carbide lower
	Impeller Type	Non-clogging vortex
	Impeller	Bronze
	Hardware	Stainless steel
	Motor Shaft	416 stainless steel
	Gasket	Neoprene



sk1619

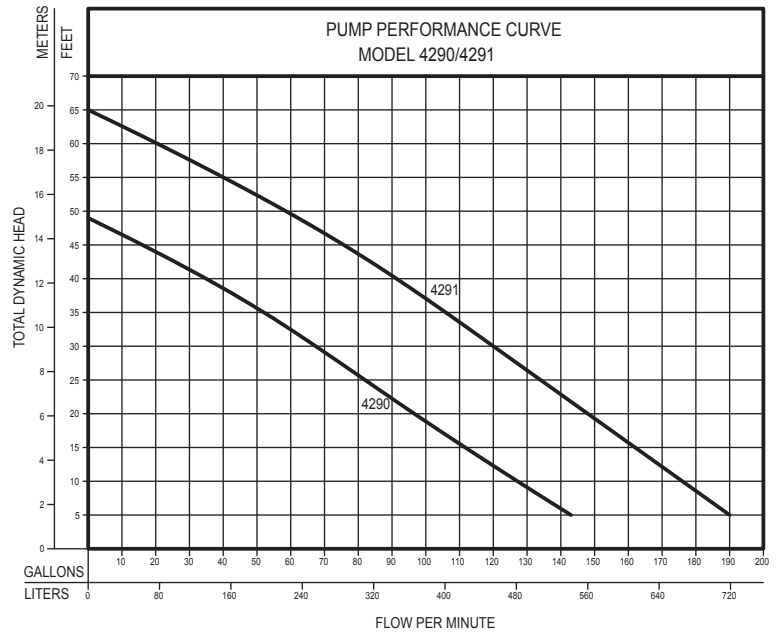
NOTE: See model comparison chart for specific details.



## TOTAL DYNAMIC HEAD FLOW PER MINUTE

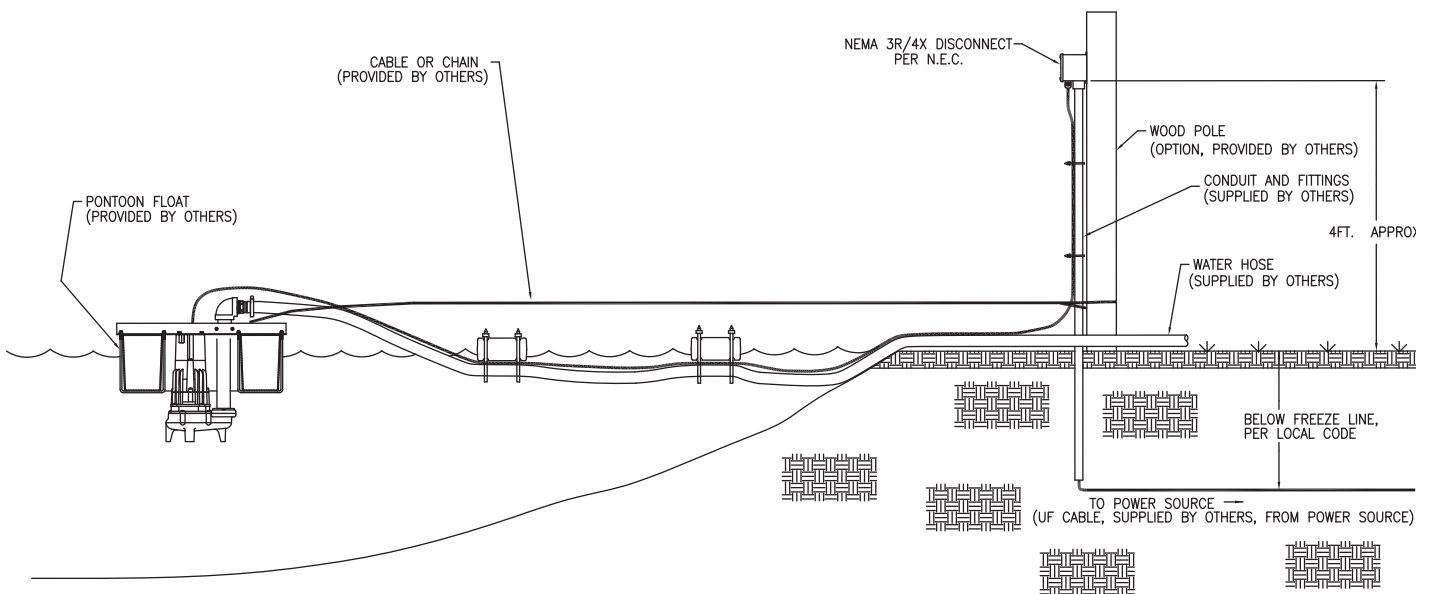
MODEL		4290		4291	
Feet	Meters	Gal.	Liters	Gal.	Liters
5	1.5	143	541	190	719
10	3.0	127	481	176	666
20	6.1	96	363	148	560
30	9.1	68	257	120	454
40	12.2	37	140	92	348
50	15.2	--	--	60	227
60	18.3	--	--	21	79
Shut-off Head:		49 ft.(14.9m)		65 ft.(19.8m)	

010652



Model	MODEL COMPARISON						
	Volts	Ph	Amps	HP	Hz	Lbs	Kg
E4290	230	1	9.0	1	60	100	45
I4290	200	1	10.8	1	60	100	45
J4290	200	3	7.3	1	60	100	45
F4290	230	3	6.5	1	60	100	45
G4290	460	3	3.3	1	60	100	45
BA4290	575	3	consult factory	1	60	100	45
E4291	230	1	14.5	2	60	102	46
I4291	200	1	17.5	2	60	102	46
J4291	200	3	11.4	2	60	102	46
F4291	230	3	10	2	60	102	46
G4291	460	3	5	2	60	102	46
BA4291	575	3	consult factory	2	60	102	46

## LAGOON RECIRCULATION SYSTEMS



SK1622



All installation of controls, protection devices and wiring should be done by a qualified licensed electrician. All electrical and safety codes should be followed including the most recent National Electrical Code (NEC) and the Occupational Safety and Health Act (OSHA).

© Copyright 2022 Zoeller® Co. All rights reserved.

502-778-2731 | 800-928-7867 | 3649 Cane Run Road | Louisville, KY 40211-1961 | zoellerpumps.com