

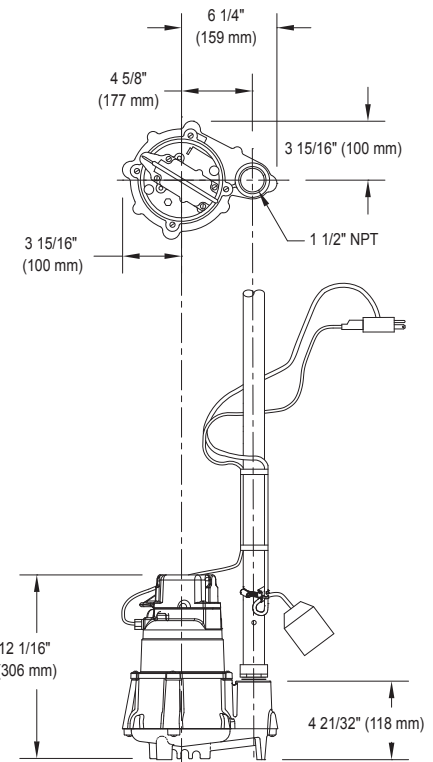
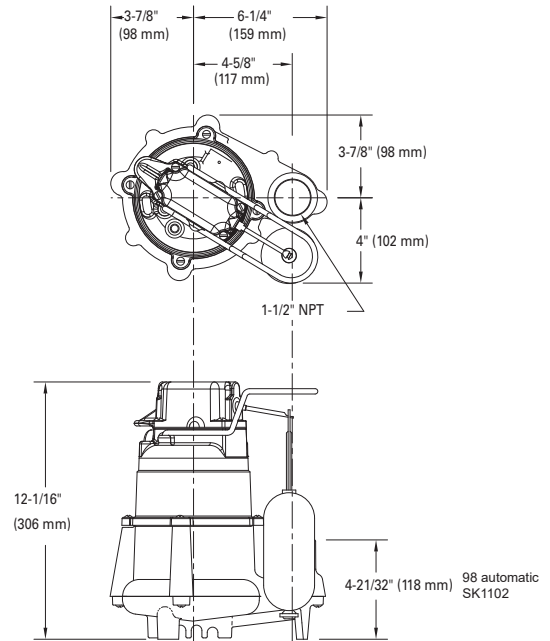
Product information presented here reflects conditions at time of publication. Consult factory regarding discrepancies or inconsistencies.



TECHNICAL DATA SHEET FLOW-MATE SERIES Model 98 Submersible Effluent/Dewatering Pump

PRODUCT SPECIFICATIONS

MOTOR	Horse Power	1/2
	Voltage	115 or 230
	Phase	1 Ph
	Hertz	60 Hz
	RPM	1725
	Type	Permanent split capacitor
	Insulation	Class B
	Amps	4.7 - 9.4
PUMP	Operation	Automatic or nonautomatic
	Auto On/Off Points	9-1/2" (24 cm) / 3" (7.6 cm)
	Discharge Size	1-1/2" NPT
	Solids Handling	1/2" (13 mm) spherical solids
	Cord Length	9' (3 m) automatic, 15' (5 m) nonautomatic
	Cord Type	UL listed
	Max. Head	23' (7 m)
	Max. Flow Rate	72 GPM (273 LPM)
	Max. Operating Temp.	130° F (54° C)
	Cooling	Oil filled
	Motor Protection	Auto reset thermal overload
	MATERIALS	Cap
Motor Housing		Cast iron
Pump Housing		Cast iron
Base		Engineered thermoplastic
Upper Bearing		Oil-fed cast iron
Lower Bearing		Oil-fed cast iron
Mechanical Seals		Carbon and ceramic
Impeller Type		Non-clogging vortex
Impeller		Engineered plastic
Hardware		Stainless steel
Motor Shaft		AISI 1215 cold rolled steel
Gasket		Neoprene

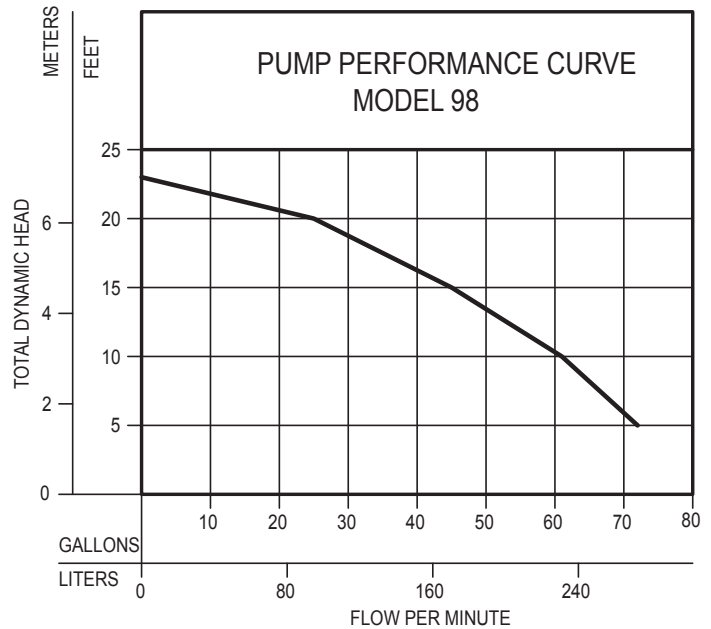


NOTE: See model comparison chart for specific details.



TOTAL DYNAMIC HEAD FLOW PER MINUTE

MODEL		98	
Feet	Meters	Gal.	Liters
5	1.5	72	273
10	3.0	61	231
15	4.6	45	170
20	7.1	25	95
Shut-off Head:		23 ft.(7.0m)	



009971

Model	MODEL COMPARISON										
	Seal	Mode	Volts	Ph	Amps	HP	Hz	Lbs	Kg	Simplex	Duplex
M98	Single	Auto	115	1	9.4	1/2	60	36	16	1	4
N98	Single	Non	115	1	9.4	1/2	60	36	16	2 or 3	4
D98	Single	Auto	230	1	4.7	1/2	60	36	16	1	4
E98	Single	Non	230	1	4.7	1/2	60	35	16	2 or 3	4
BN98	Single	Auto	115	1	9.4	1/2	60	37	17	*	--
BE98	Single	Auto	230	1	9.4	1/2	60	40	18	*	--

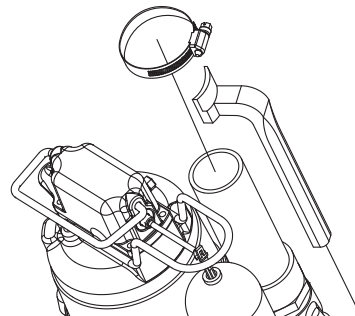
*BN and BE models include a 20' (6 m) piggyback variable level pump switch. Additional cord lengths are available in 25' (8 m) and 35' (11 m). 50' (15 m) cords are available for 230 V units only.

SELECTION GUIDE

1. Integral float-operated mechanical switch, no external control required.
2. For automatic, use single piggyback variable level float switch or double piggyback variable level float switch. Refer to FM0477.
3. See FM1228 for correct model of simplex control panel.
4. See FM0712 for correct model of duplex control panel or FM1663 for a residential alternator system.

OPTIONAL PUMP STAND P/N 10-2421

- Reduces potential clogging by debris
 - Replaces rocks or bricks under the pump
 - Made of durable, noncorrosive ABS
 - Raises pump 2" (5 cm) off bottom of basin
 - Provides the ability to raise intake by adding sections of 1½" or 2" (DN40 or DN50) PVC piping
 - Attaches securely to pump
 - Accommodates sump, dewatering and effluent applications
- NOTE: Make sure float is free from obstruction.



All installation of controls, protection devices and wiring should be done by a qualified licensed electrician. All electrical and safety codes should be followed including the most recent National Electrical Code (NEC) and the Occupational Safety and Health Act (OSHA).