

Trusted. Tested. Tough.®

Product information presented here reflects conditions at time of publication. Consult factory regarding discrepancies or inconsistencies.



SECTION: C4.00.065

CL0176

0422

Supersedes

0117

MAIL TO: P.O. BOX 16347 • Louisville, KY 40256-0347
SHIP TO: 3649 Cane Run Road • Louisville, KY 40211-1961
TEL: (502) 778-2731 • 1 (800) 928-PUMP • FAX: (502) 774-3624

Visit our website:
zoellerpumps.com

Zoeller Zone Valve and Valve Actuator

Zone Valve

For zoning of larger effluent distribution networks. Zoning may reduce pump size.

COMPARE THESE FEATURES:

- Never needs lubrication.
- Highly reliable.
- Easier to install, easier to use.
- Best materials & design. Made of CPVC.
- Zone valve body is designed to allow maximum water flow while maintaining structural strength.
- 18 quality tests on every valve.
- Easy to motorize, simple to automate.
- Can be operated manually.
- 24 Month Limited Warranty.



170-0150



Tested to UL Standard UL508

Valve Actuator

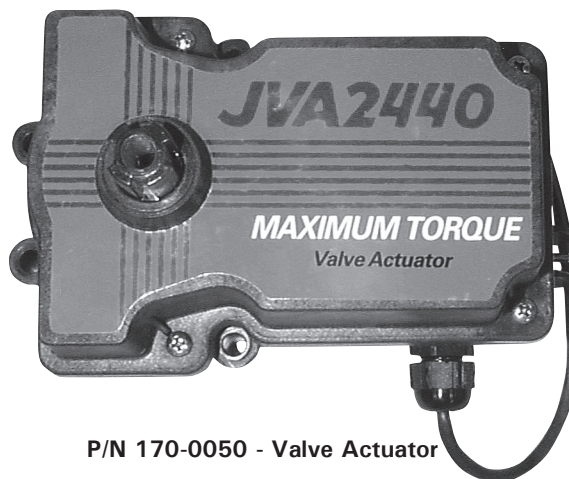
COMPARE THESE FEATURES:

- Offers a convenient alternative to manually turning valves.
- Built in safety & simplicity.
- Can stop or start diverters in any rotation position, so the danger of deadheading the pump is eliminated.
- 24 Volt (voltage transformer supplied by others).
- 12 Month Limited Warranty.



170-0149

Valve	Part Number	Socket Connection
Two Port	170-0049	2" ID x 2-1/2" OD
	170-0150	1-1/2" ID x 2" OD
Three Port	170-0048	2" ID x 2-1/2" OD
	170-0149	1-1/2" ID x 2" OD



P/N 170-0050 - Valve Actuator

Zone Valve - Installation and Mounting

Materials Used:

Valve Screws: Stainless Steel

Valve Knob: ABS Plastic

Valve Handle: ABS Plastic

Valve Cover: CPVC Plastic

Large O-Ring (151):

Teflon-impregnated plastic

Small O-Ring (116):

Teflon-impregnated plastic

Valve Housing (Main Valve Body):

CPVC plastic

Valve Diverter: Glass-filled Noryl

Valve Diverter Seal Valve:

NeverLube™ Material

Technical

Specifications:

Working Pressure: 50 psi.

Burst Pressure: 200 psi.

Positive Seal Back Pressure: 15 psi.

Chlorine Resistant

Acid Resistant

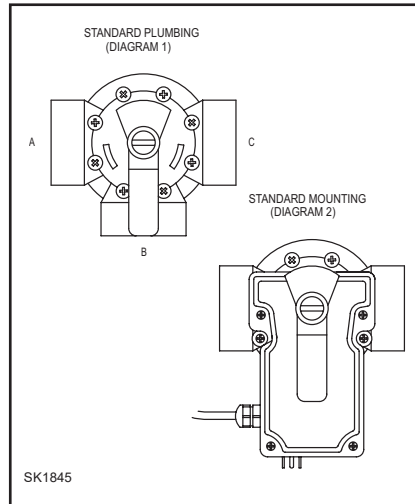
Ozone Resistant

THREE PORT VALVE

Standard Plumbing position is with the middle (Port B) as the incoming or common port to the valve (diagram 1).

Standard Mounting position is with the main body of the actuator over Port B as in diagram (2).

If it is necessary to plumb the valve in other than the standard position, please refer to the full installation manual for detailed instructions on adjusting the internal cams.



TWO PORT VALVE

If a two port valve is used, it will be necessary to change the cam settings inside the actuator. Please refer to the full installation manual for detailed instructions on adjusting the internal cams.

ACTUATOR MOUNTING ON VALVE

- Unscrew (counter-clockwise) the locking knob and remove it and the valve handle.
- Remove four Phillips-head screws from the valve. Which screws you remove depends on how you mount the actuator.
- Turn the actuator over so you can see into the brown actuator shaft. There are four "teeth". Note the one which is smaller than the others. Align this smallest tooth with the smallest slot on the valve diverter.
- Rotate the actuator while keeping the two shafts engaged until the holes on the actuator legs align with the holes left when you removed the screws in step B.
- Use the long screws (packaged with the actuator) to secure it in place.
- Put the valve handle on the actuator shaft. Screw down and tighten the locking knob (finger tight only).

Valve Actuator P/N 170-0050

Technical Specifications:

Voltage: 24 V.A.C.

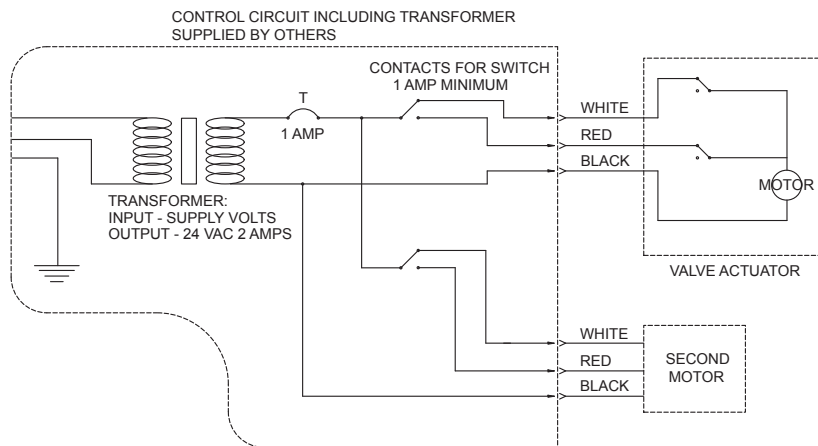
Amperage: 0.9 AMPS

Cycles: 60 Hz

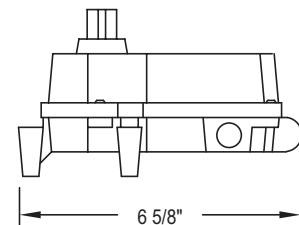
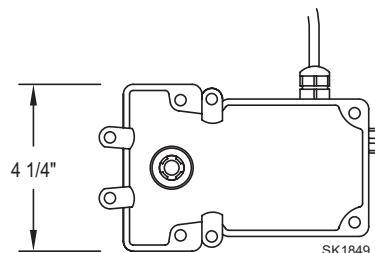
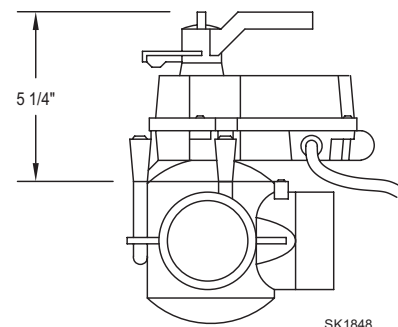
Wire: 3 Conductor

Black -- Common

Red
White } - Switch Legs



SK1847



ALL ZOELLER ON-SITE WASTEWATER PRODUCTS MUST BE INSTALLED IN ACCORDANCE WITH LOCAL AND/OR STATE PLUMBING AND/OR HEALTH DEPARTMENT CODES.