

Trusted. Tested. Tough.®

Product information presented here reflects conditions at time of publication. Consult factory regarding discrepancies or inconsistencies.



FM3331
0422
Supersedes
0421

MAIL TO: P.O. BOX 16347 • Louisville, KY 40256-0347
SHIP TO: 3649 Cane Run Road • Louisville, KY 40211-1961
TEL: (502) 778-2731 • 1 (800) 928-PUMP • FAX: (502) 774-3624

Visit our website:
zoellerpumps.com

REPLACEMENT PARTS LIST FOR MODELS:

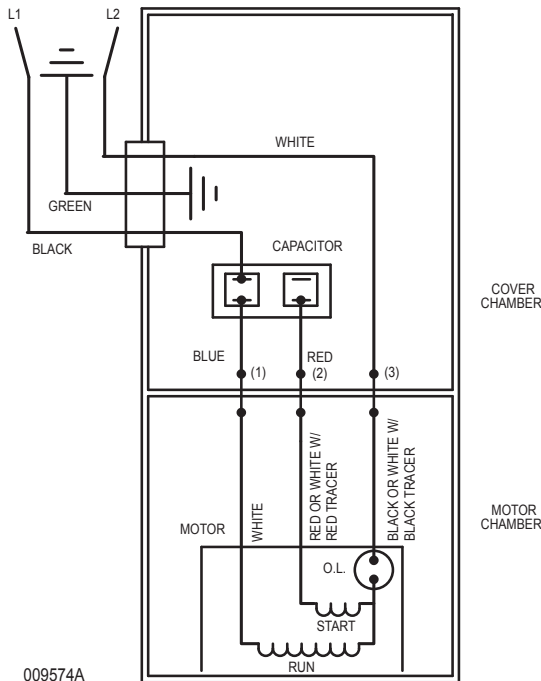
N142 NONAUTOMATIC 115V
WM142 AUTOMATIC w/ WIRED FLOAT SWITCH 115V
BN142 AUTOMATIC w/ PIGGYBACK FLOAT SWITCH 115V

Consult factory for all other models.

TO ORDER REPLACEMENT PARTS:

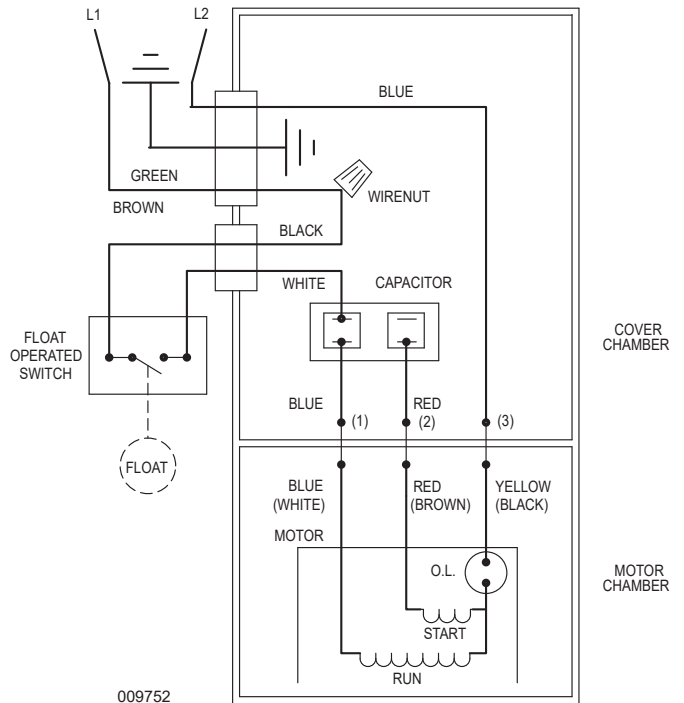
PLEASE FURNISH THE FOLLOWING INFORMATION:

- Model Number.
- Part Number of Pump.
- Part Number and Description of part.



009574A

WIRING DIAGRAM FOR MODELS
"N142", "BN142" All Revisions
5/00 thru Current



009752

WIRING DIAGRAM FOR MODELS
"WM142" All Revisions
5/00 thru 9/12

REPLACEMENT PARTS LIST FOR MODELS “N142” and “BN142”

See back page for illustration.

REF NO.	DESCRIPTION	QTY	MODELS: NOTES	N142-B	N142-C	N142-D	N142-E	BN142-A	BN142-B
				5/00 thru 3/07	4/07 thru 4/08	5/08 thru 6/20	7/20 thru Current	6/10 thru 6/20	7/20 thru Current
1	HANDLE	1		267032	267032	267032	267032	267032	267032
2	CASE ASSEMBLY	1		011549	011549	011549	267051	011549	267051
3	• CASE GASKET	1		267007	267007	267007	267007	267007	267007
4	POWER CORD	1		011551	011551	011551	011551	011551	011551
5	• CORD SEAL ASSEMBLY	1		010154	010154	010154	156778	010154	156778
6	MOTOR HOUSING ASSEMBLY	1		010156	010156	010156	156811	010156	156811
7	STATOR ASSEMBLY	1	3	N/A	N/A	N/A	156808	N/A	156808
8	• ROTOR & BRG ASSEMBLY	1		010994	010994	010994	156777	010994	156777
9	• 21.5 OZ OIL CAN	1		010330	010330	010330	010330	010330	010330
10	• SHAFT SEAL ASSEMBLY	1		011681	011681	011681	011681	011681	011681
11	MOTOR HOUSING SEAL	1		267006	267006	267006	034007	267006	034007
12	BASE	1		009457	009457	009457	009457	009457	009457
13	HANDLE RETAINERS	2		267053	267053	267053	267053	267053	267053
14	• INSULATOR	2	3	001797	001797	N/A	N/A	N/A	N/A
15	WIRE PACK	1		011548	011548	011548	011548	011548	011548
16	• CAPACITOR ASSEMBLY	1		011550	011550	011550	156807	011550	156807
17	ROTOR BEARING	1		009540	009540	009540	009540	009540	009540
18	PUMP HOUSING	1		009518	009518	009518	155398	009518	155398
19	• IMPELLER	1		009580	009580	009580	009580	009580	009580
20	• TEST PLUG	2		034090	034090	034090	034090	034090	034090
21	• SCREW - CASE (1/4-20 x 3/4)	4		001916	001916	001916	001916	001916	001916
22	• SCREW - BASE (10-24 x 3/4)	4		001885	001885	001885	001885	001885	001885
23	• SCREW - RETAINER (10-24 X 3/8)	2		001883	001883	001883	001883	001883	001883
24	• SCREW 6-32 x 7/16	1	3	004644	004644	004644	N/A	004644	N/A
25	• WASHER #6	1	3	002117	002117	002117	N/A	002117	N/A
26	• GROUND SCREW	1		001877	001877	001877	001877	001877	001877
27	• THRU WALL TERMINAL	3		003402	003402	003402	003402	003402	003402
28	SEM SCREW	1	3	002000	002000	002000	N/A	002000	N/A
29	SCREW - MTR HSG (1/4-20 x 7/8)	4		012491	012491	012491	012491	012491	012491
30	SCREW - STATOR (8-32 x 4-9/32)	2	3	N/A	N/A	N/A	155319	N/A	155319
31	SWITCH, MECH FLOAT	1	3	N/A	N/A	N/A	N/A	10-0063	10-0063
□	REBUILD KIT	1		010173	010173	010173	156775	010173	156775

• Items included in Rebuild Kit.

□ Not shown in illustration.

NOTES:

- 1) If an “X” follows model no., or date mfg. on ID tag, consult factory for ordering any parts.
- 2) See FM0160 Parts Price Sheet for listing of part prices.
- 3) “N/A” indicates not applicable.

REPLACEMENT PARTS LIST FOR MODEL "WM142"

See back page for illustration.

MODELS:				WM142-A	WM142-B	WM142-C
REF NO.	DESCRIPTION	QTY	NOTES	5/00 thru 3/07	4/07 thru 4/08	5/08 thru 9/12
1	HANDLE	1		267032	267032	267032
2	CASE ASSEMBLY	1		011549	011549	011549
3	• CASE GASKET	1		267007	267007	267007
4	POWER CORD	1		011551	011551	015705
5	• SEAL ASSEMBLY POWER	1		010154	010154	010154
6	MOTOR HOUSING ASSEMBLY	1		010156	010156	010157
7	ROTOR & BRG ASM	1		010994	010994	010994
8	• 25 OZ OIL CAN	1		010330	010330	010330
9	• SEAL ASSEMBLY	1		011681	011681	011681
10	• SQUARE RING SEAL	1		267006	267006	267006
11	BASE	1		009457	009457	009457
12	HANDLE RETAINERS	2		267053	267053	267053
13	INSULATOR	2		001797	001797	N/A
14	• WIRE PACK	1		011548	011548	011548
15	CAPACITOR ASSEMBLY	1		011550	011550	011550
16	• BEARING RADIAL	1		009540	009540	009540
17	PUMP HOUSING	1		009518	009518	009518
18	IMPELLER	1		009580	009580	009580
19	• TEST PLUG	2		034090	034090	034090
20	• SCREW 1/4 - 20 X 3/4	4		001916	001916	001916
21	• SCREW 10 - 24 X 3/4	4		001885	001885	001885
22	• SCREW 10 - 24 X 3/8	2		001883	001883	001883
23	• SCREW 6 - 32 X 7/16	1		004644	004644	004644
24	• WASHER#6	1		002117	002117	002117
25	• GROUND SCREW	1		001877	001877	001877
26	• THRU WALL TERMINAL	3		003402	003402	003402
27	• SEM SCREW	1		002000	002000	002000
28	SCREW 1/4 - 20 X	4		012491	012491	012491
29	CLAMP, STRAIN RELIEF	1		001770	001770	001770
30	HARDWARE PACK, SWITCH	1		009344	009344	009344
31	FLOAT ROD RETAINING PIN	1		009121	009121	009121
32	FLOAT, MECH SWITCH	1		009119	009119	009119
33	ROD, FLOAT-VERT SWITCH	1		009118	009118	009118
34	FLOAT ROD STOP	2		009120	009120	009120
35	CLAMP, STRAIN RELIEF	1		004200	004200	004200
36	SEAL, CORD ASM	1		015707	015707	015707
37	CONNECTOR, WIRE NUT	1		001776	001776	001776
38	SWITCH, VERT FLT & SEAL	1		015708	015708	015708
☐	REBUILD KIT	1		010173	010173	010173

• Items included in Rebuild Kit.

☐ Not shown in illustration.

NOTES:

- 1) Contact a Zoeller representative for parts prices.
- 2) "NA" indicates not applicable.
- 3) If an "x" follows model number or date of manufacture on I.D. tag, consult factory for ordering of this part.
- 4) When replacing capacitor assembly on "REV. A" pumps only (Item 15) customer must also replace the case assembly (Item 2).

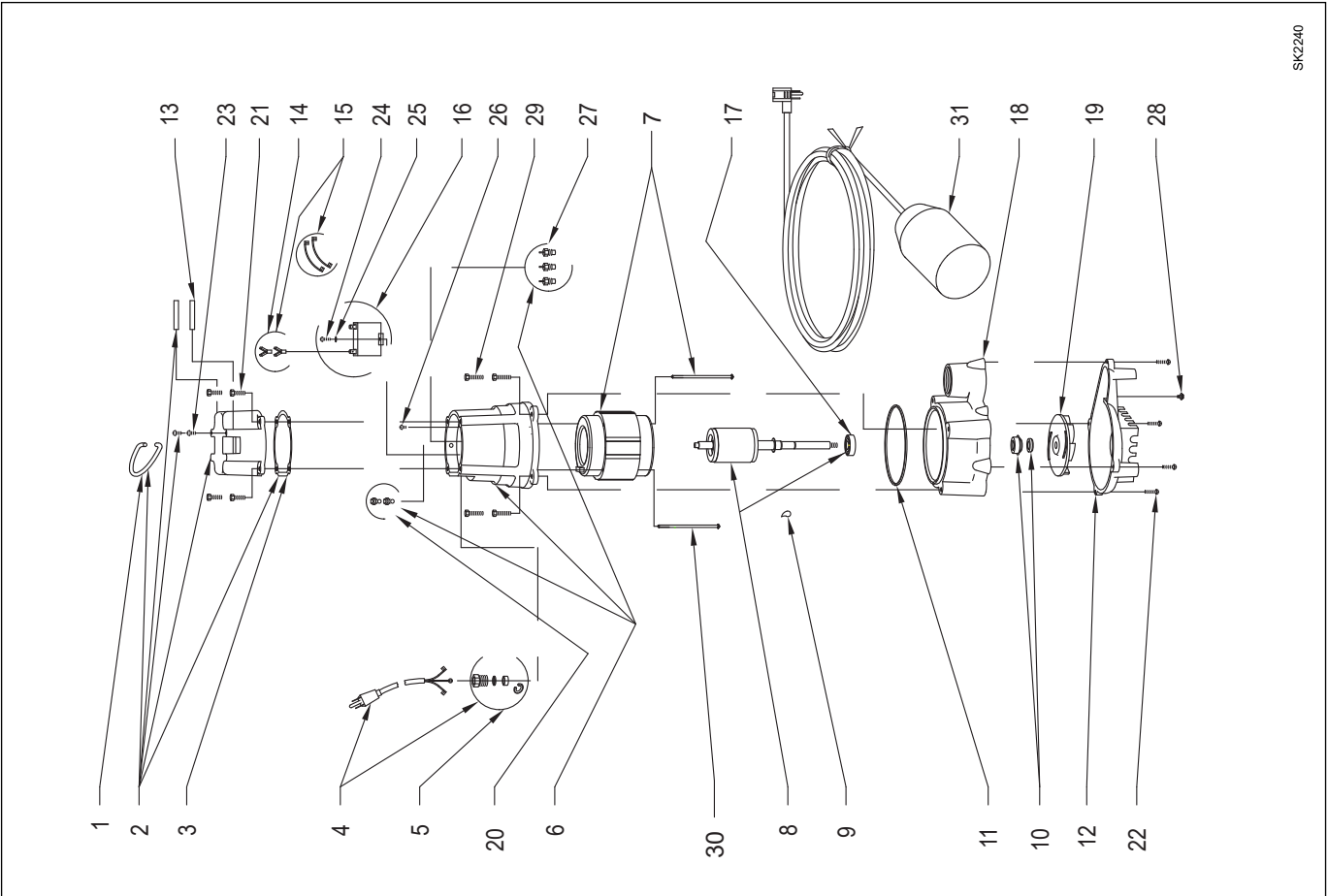


MAIL TO: P.O. BOX 16347 • Louisville, KY 40256-0347
 SHIP TO: 3649 Cane Run Road • Louisville, KY 40211-1961
 (502) 778-2731 • 1 (800) 928-PUMP • FAX (502) 774-3624

Trusted. Tested. Tough.®

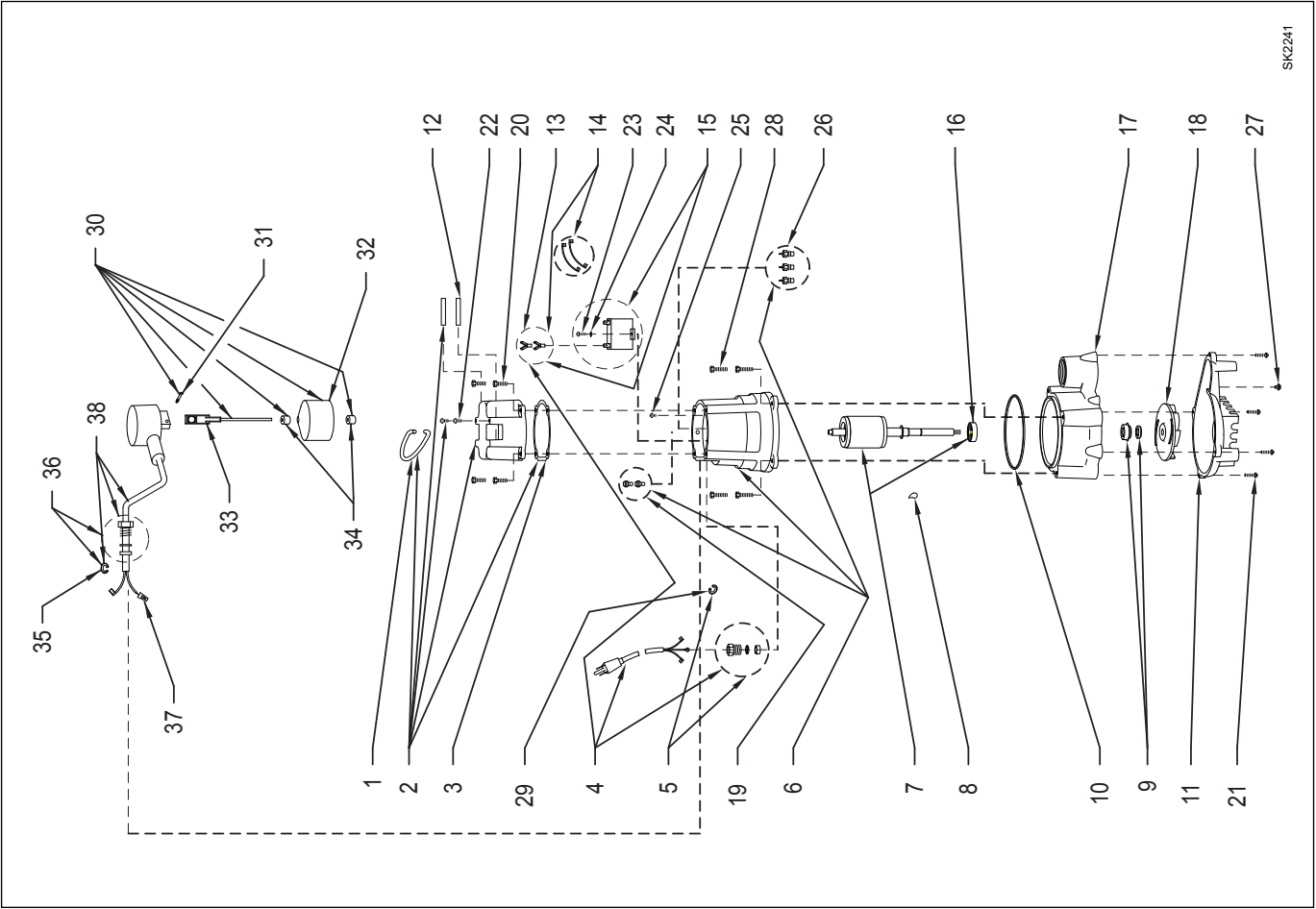
Visit our website:
zoellerpumps.com

REPLACEMENT PARTS ILLUSTRATION FOR MODEL "N142" & "BN142"



SK2240

REPLACEMENT PARTS ILLUSTRATION FOR MODEL "WM142"



SK2241