

Product information presented here reflects conditions at time of publication. Consult factory regarding discrepancies or inconsistencies.

MAIL TO: P.O. BOX 16347 • Louisville, KY 40256-0347
SHIP TO: 3649 Cane Run Road • Louisville, KY 40211-1961
TEL: (502) 778-2731 • 1 (800) 928-PUMP • FAX: (502) 774-3624

Visit our website:
zoellerpumps.com

REPLACEMENT PARTS LIST FOR MODELS:

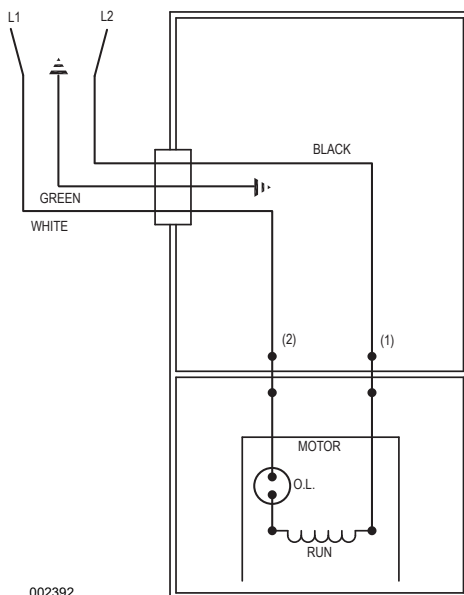
N51 AUTOMATIC 115V
WM51 AUTOMATIC W/WIRED FLOAT SWITCH 115V
BN51 NON-AUTOMATIC W/PIGGYBACK FLOAT SWITCH 115V

Consult factory for all other models.

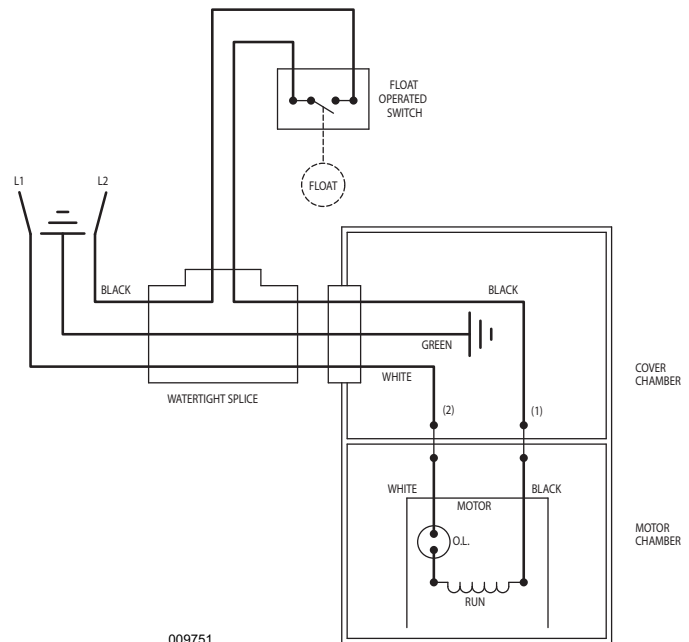
TO ORDER REPLACEMENT PARTS:

PLEASE FURNISH THE FOLLOWING INFORMATION:

- Model number
- Part number of pump
- Part number and description of part



WIRING DIAGRAM FOR MODELS
"N51-A" and "BN51"
04/00 thru Present



WIRING DIAGRAM FOR MODELS
"WM51-A",
04/00 thru 09/10

REPLACEMENT PARTS LIST FOR MODEL "N51" & "BN51"

See back page for illustration.

				MODELS:	
				N51-A	BN51-A
REF. NO.	DESCRIPTION	QTY	NOTES	4/00 thru Current	6/12 thru Current
1	• GASKET, CASE / COVER	1		034046	034046
2	• CLAMP, STRAIN RELIEF - #2F	1	1	004200	004200
3	• SEAL, CORD - ASSEMBLY	1	1	004322	004322
4	CORD TERM & SEAL 115V / 15' / 18 - 3 SJTW-A / NONAUTO	1	1	004708	004708
5	STATOR 115V / 1PH GE UNMACHINED	1		007951	007951
6	• SCREW, STATOR 8 - 32 X 2.53 LG	2		001914	001914
7	ROTOR ASSEMBLY 115V / 1PH GE	1		054032	054032
8	• SEAL, MOTOR HOUSING	1		034007	034007
9	• WASHER, TRST - NYL. 875 X .504 X .050"	1		002140	002140
10	• OIL, DIELECTRIC	1		002588	002588
11	HOUSING, PUMP - MACH	1		057018	057018
12	• SEAL ASSEMBLY, SHAFT - BLISTER PAK	1		267027	267027
13	IMPELLER	1		150857	150857
14	BASE - MACH "51"	1		009457	009457
15	COVER & HANDLE "50"	1		034067	034067
16	• PLUG, TEST	2		034090	034090
17	• SEAL, THRU WALL TERM	2		003402	003402
18	HOUSING, MOTOR - & TERM ASSEMBLY "50"	1		004712	004712
19	• SCREW, #10 - 24 X .75 RHM - SS	16		001885	001885
20	• SCREW, #6 - 32 X .25 RHM SL TC STLGR	1		001877	001877
21	SWITCH, MECH. FLOAT / SPB / 115V / 15' CORD / 13 A / .5 H	1		NA	10-0034
□	REBUILD KIT "53 / 1053 / 55" (9/86 THRU CURRENT)	1		004706	004706

- Items included in Rebuild Kit.
- Not Shown in Illustration.

NOTES:

- 1) Strain Relief (Item 2) can be purchased separately, but is included with Cord, Terminal & Seal Assembly (Item 4) and with Seal, Cord Assembly (Item 3).
- 2) If an "X" follows Model No., or Date Mfg. On ID tag, consult factory for ordering of this part.
- 3) Contact a Zoeller representative for parts prices.
- 4) "NA" indicates not applicable.

REPLACEMENT PARTS LIST FOR MODELS "WM51"

See back page for illustration.

				MODEL:	WM51-A
REF. NO.	DESCRIPTION	QTY	NOTES	4/00 thru 9/10	
1	• GASKET,CASE / COVER	1			034046
2	• CLAMP, STRAIN RELIEF - #2F	1	1		004200
3	• SEAL,CORD - ASSEMBLY	1	1		004322
4	CORD TERM & SEAL 1150V / 15' / 16 - 3 SJOW-A/Y - SPLICE	1	1		015703
5	STATOR 115V / 1PH GE UNMACHINED	1			007951
6	• SCREW, STATOR 8 - 32 X 2.53 LG	2			001914
7	ROTOR ASSEMBLY 115V / 1PH GE	1			054032
8	• SEAL, MOTOR HOUSING	1			034007
9	• WASHER, TRST - NYLON 875 X .504 X .050"	1			002140
10	• OIL, DIELECTRIC	1			002588
11	HOUSING, PUMP - MACH	1			057018
12	• SEAL ASSEMBLY, SHAFT - BLISTER PAK	1			267027
13	IMPELLER	1			150857
14	BASE - MACH "51"	1			009457
15	COVER & HANDLE	1			034097
16	• PLUG,TEST	2			034090
17	• SEAL,THRU WALL TERM	2			003402
18	HOUSING, MOTOR - & TERM ASSEMBLY "50"	1			004712
19	• SCREW, #10 - 24 X .75 RHM - SS	16			001885
20	• SCREW, #6 - 32 X .25 RHM SL TC STLGR	1			001877
21	HARDWARE PAK, SWITCH / POLY	1			009344
22	FLOAT ROD RETAINING PIN - MECH SWITCH	1			009121
23	FLOAT, MECH SWITCH	1			009119
24	ROD, FLOAT - MECH SWITCH	1			009118
25	FLOAT ROD STOP - MECH SWITCH	2			009120
□	REBUILD KIT "53/1053/55" (9/86 THRU CURRENT)	1			004706

• Items included in Rebuild Kit.

□ Not Shown in Illustration.

NOTES:

- 1) Strain Relief (Item 2) can be purchased separately, but is included with Cord,Terminal & Seal Assembly (Item 4) and with Seal, Cord Assembly (Item 3).
- 2) If an "X" follows Model No., or Date Mfg. On ID tag, consult factory for ordering of this part.
- 3) Contact a Zoeller representative for parts prices.
- 4) "NA" indicates not applicable.

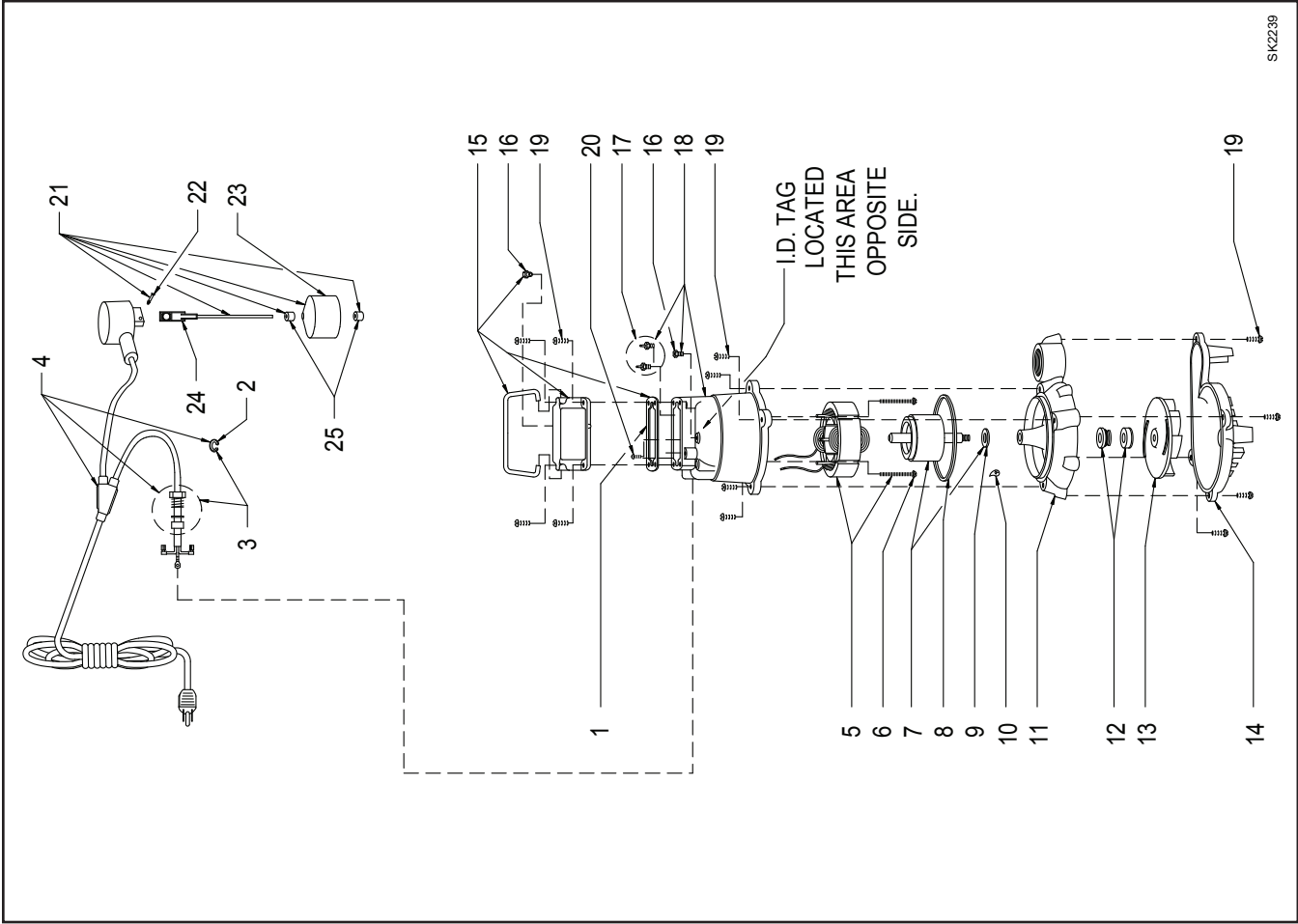


MAIL TO: P.O. BOX 16347 • Louisville, KY 40256-0347
 SHIP TO: 3649 Cane Run Road • Louisville, KY 40211-1961
 (502) 778-2731 • 1 (800) 928-PUMP • FAX (502) 774-3624

Trusted. Tested. Tough.®

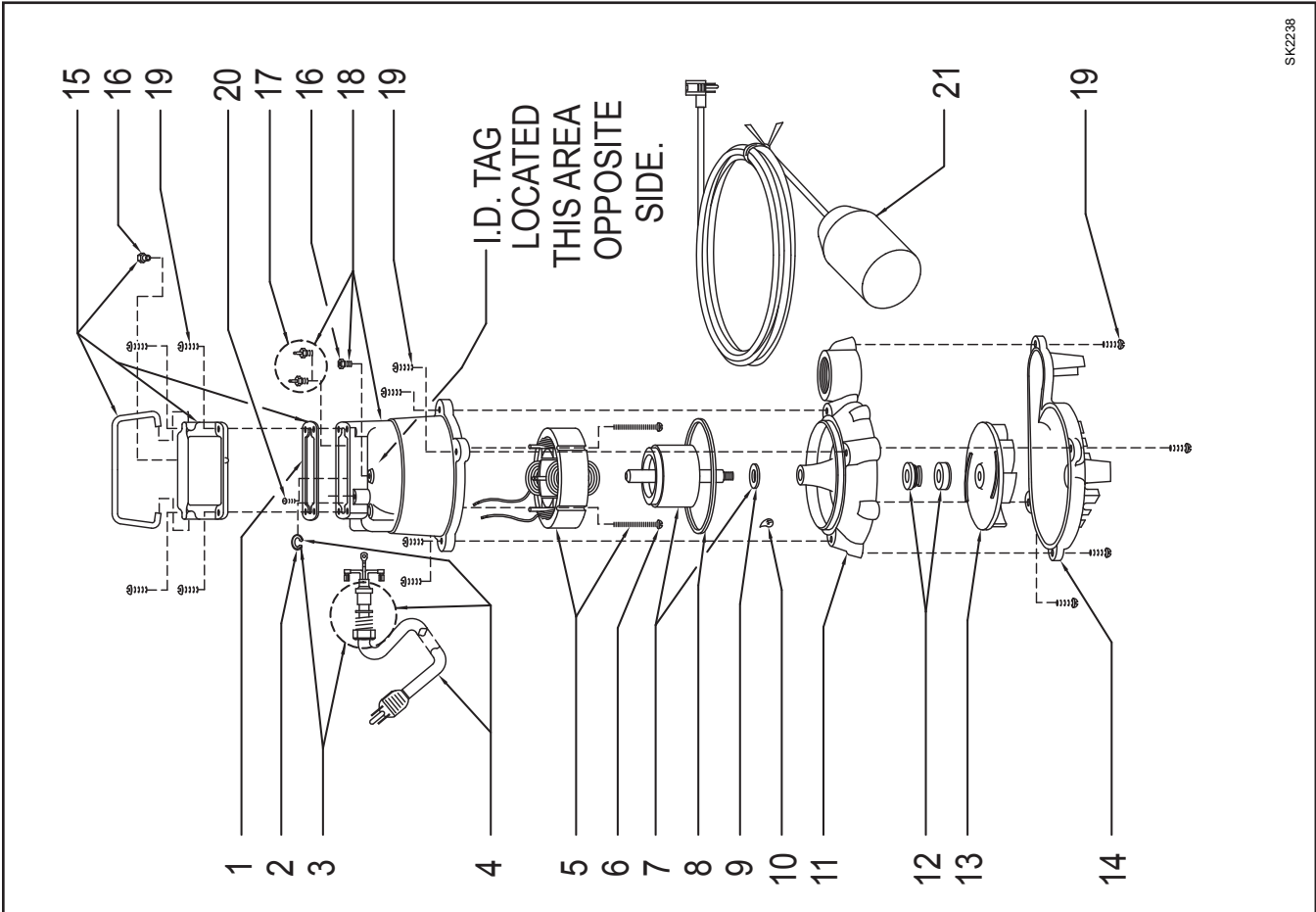
Visit our website:
zoellerpumps.com

REPLACEMENT PARTS ILLUSTRATION FOR WM51



SK2239

REPLACEMENT PARTS ILLUSTRATION FOR N51 & BN51



SK2238