

Product information presented here reflects conditions at time of publication. Consult factory regarding discrepancies or inconsistencies.

MAIL TO: P.O. BOX 16347 • Louisville, KY 40256-0347  
 SHIP TO: 3649 Cane Run Road • Louisville, KY 40211-1961  
 TEL: (502) 778-2731 • 1 (800) 928-PUMP • FAX: (502) 774-3624

Visit our website:  
 zoellerpumps.com

### COMPARE THESE FEATURES

- Float is constructed of durable PVC/polypropylene encasing variable level switch
- Standard mechanical variable level control switches are rated for 115/230 V, 5 Amps
- Low current mechanical variable level control switches are rated for 125 VAC/30 VDC, 0.1 Amps
- 18/2 Type SJOW CPE cord standard
- Cords are available in 15-25-35-50 foot lengths
- Temperature rating of 140°F (60°C)
- Approximately 1.5" liquid level differential in switching action

**Variable Level Control Switch** is normally open when hanging vertically above liquid level. Switch closes when it reaches a few degrees above the horizontal position.

### APPLICATIONS

- Switch for simplex or duplex pump control and high level alarm on electrical alternating control panel systems for dewatering, effluent and sewage applications.
- Switch for APak® (use low current models)
- High level alarm switch

**ADJUSTABLE WEIGHT:** (P/N 10-0689) provides an accurate pivot point for suspended float switches.

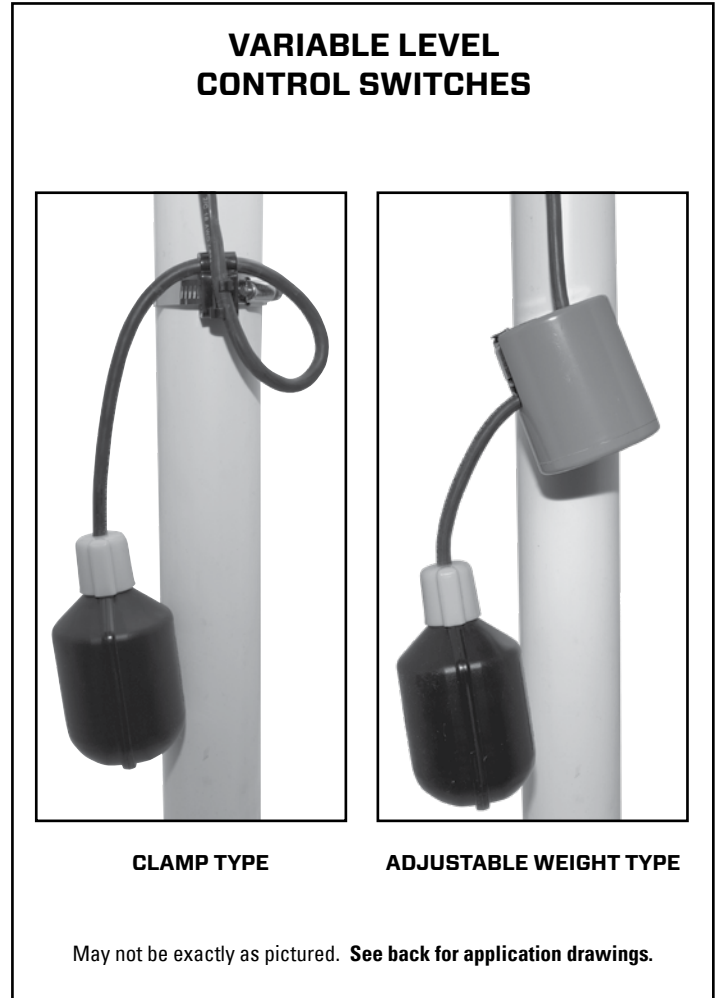
- Gripper teeth on clip and weight channel securely lock float cable into place.
- Cable weight can be adjusted without the use of tools.

**HOUSING:** 1lb 12oz. (0.8 kg) 2.8" x 3.3" (7.1 cm x 8.4 cm)  
 Impact-resistant & non-corrodible, PVC housing for liquids up to 140°F (60°C)

**CLIP:** injection-molded acetal plastic

**WIRE/CABLE ACCOMMODATED:** SJOW, SJTW, 18/2, 18/3, 16/3, 14/2, 14/3

**SHIP WEIGHT:** 2 lbs. (32 oz)



May not be exactly as pictured. See back for application drawings.



| FLOAT SWITCHES |                   |             |                   |
|----------------|-------------------|-------------|-------------------|
| Mechanical     |                   | Cord Length | Mounting Method   |
| Standard P/N*  | Low Current P/N** |             |                   |
| 10-0743        | 10-2060           | 15          | Clamp             |
| 10-0744        | 10-2061           | 20          | Clamp             |
| 10-1877        | 10-2062           | 25          | Clamp             |
| 10-1878        | 10-2063           | 35          | Clamp             |
| 10-1879        | 10-2064           | 50          | Clamp             |
| 10-1880        | 10-2065           | 15          | Adjustable Weight |
| 10-2033        | 10-3284           | 20          | Adjustable Weight |
| 10-1881        | 10-2066           | 25          | Adjustable Weight |
| 10-1882        | 10-2067           | 35          | Adjustable Weight |
| 10-1883        | 10-2068           | 50          | Adjustable Weight |

| FLOAT SWITCH TREES |                          |             |                       |
|--------------------|--------------------------|-------------|-----------------------|
| Mechanical         |                          | Cord Length | Mounting Method       |
| Standard P/N*      | Intrinsically Safe P/N** |             |                       |
| 10-1456            | 10-1456                  | ---         | Tree Only             |
| 10-1886            | 10-2069                  | 15          | (3) 15' Floats & Tree |
| 10-1887            | 10-2070                  | 15          | (4) 15' Floats & Tree |

\* Do not use with intrinsically safe control systems.

\*\* For use with intrinsically safe control systems only.

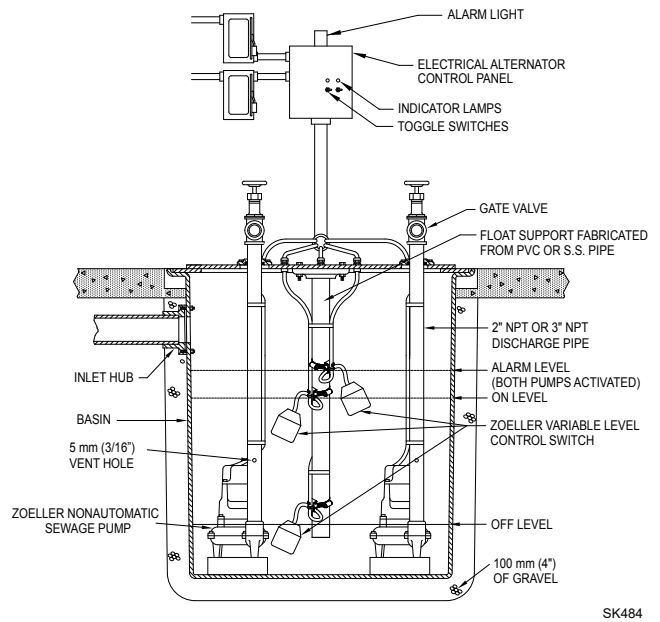
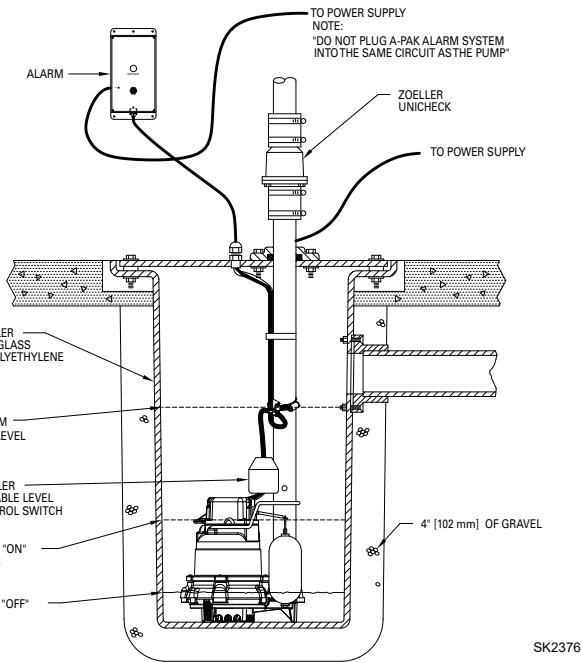
# TYPICAL APPLICATIONS

Switch for APak®, High Level Alarm Switch.

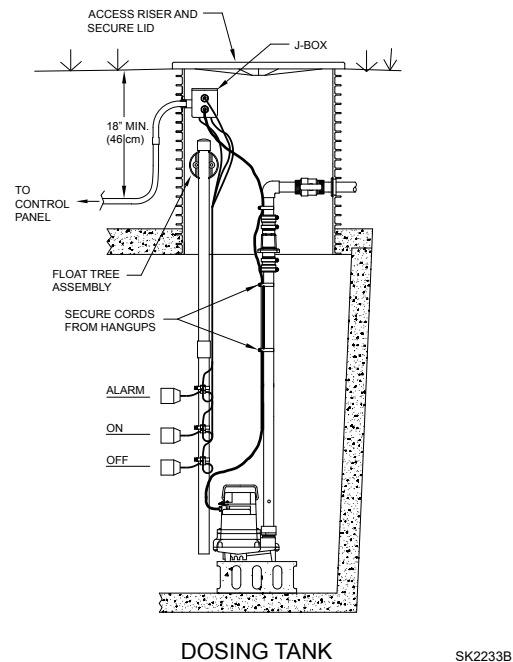
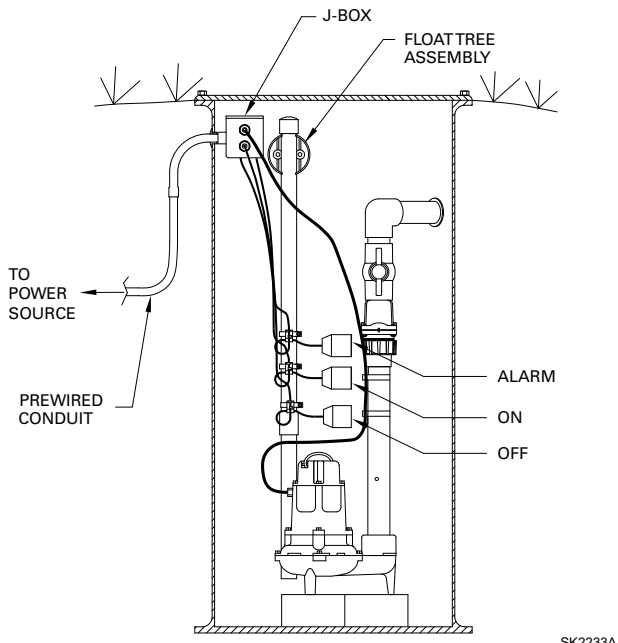
## SIMPLEX SYSTEM

| Voltage | APak®   | Variable Level Control Switch |
|---------|---------|-------------------------------|
| 115 V   | 10-4012 | 10-0743                       |

## DUPLEX ELECTRICAL ALTERNATING SYSTEM



## FLOAT TREE ASSEMBLIES



For information on additional Zoeller products refer to catalog on Electrical Alternator, FM0486; Single Phase Simplex Control/ Alarm Systems, FM0732; and Simplex Controller, FM0731.



**WARNING** All electrical systems must be installed by a qualified licensed electrician according to the National Electrical Code.



MAIL TO: P.O. BOX 16347 • Louisville, KY 40256-0347  
SHIP TO: 3649 Cane Run Road • Louisville, KY 40211-1961  
(502) 778-2731 • 1 (800) 928-PUMP • FAX (502) 774-3624

Trusted. Tested. Tough.®

Visit our website:  
zoellerpumps.com