

Trusted. Tested. Tough.®

Product information presented here reflects conditions at time of publication. Consult factory regarding discrepancies or inconsistencies.



SECTION: C3.10.165

CL0167

0222

Supersedes

0914

MAIL TO: P.O. BOX 16347 • Louisville, KY 40256-0347
 SHIP TO: 3649 Cane Run Road • Louisville, KY 40211-1961
 TEL: (502) 778-2731 • 1 (800) 928-PUMP • FAX: (502) 774-3624

Visit our website:
 zoellerpumps.com

Fusion® Series Treatment System

Models ZFL-1120 - ZFL-2400 INSTALLATION AND START-UP CHECK LIST

Owner Information	Installer Information
Owner's Name:	Name:
Address:	Address:
Installation Address (if different):	Lic. #:
Phone Number:	Phone Number:
Fax Number:	Fax Number:
Email Address:	Email Address:

General Information	
Fusion® Model: <input type="checkbox"/> ZFL-1120 <input type="checkbox"/> ZFL-1440 <input type="checkbox"/> ZFL-1680 <input type="checkbox"/> ZFL-2000 <input type="checkbox"/> ZFL-2400	Installation Date: _____ Startup Date: _____
Serial Number: _____	Septic Tank prior to Fusion®: <input type="checkbox"/> Yes <input type="checkbox"/> No Size: _____
Actual Number of Users: _____	Design volume per day: _____ Actual usage per day: _____
Type of Water Supply: <input type="checkbox"/> Municipal <input type="checkbox"/> Well <input type="checkbox"/> Cistern	Water Softener: <input type="checkbox"/> Yes <input type="checkbox"/> No Garbage Disposal: <input type="checkbox"/> Yes <input type="checkbox"/> No
Final Discharge: _____	System Type: <input type="checkbox"/> Repair <input type="checkbox"/> New Construction

I. Fusion® Layout

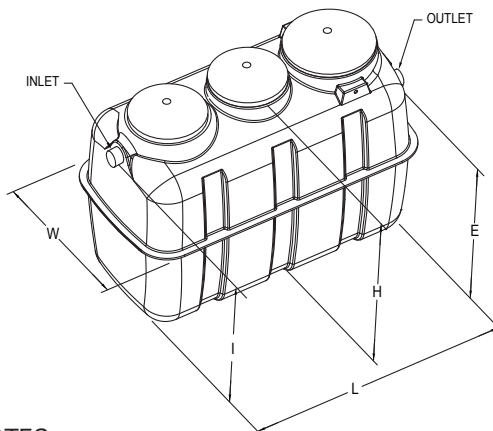
1. Fusion® laid-out to proper grades and depths? ___ Yes ___ No

II. Excavation

1. Size of Excavation L _____ W _____ H _____
 (No more than 12" cover over Fusion®)

2. Rock/obstructions in excavation? ___ Yes ___ No

3. Water table present? ___ Yes ___ No
 (Anti-flotation device required if yes)



SK3037

Fusion® DIMENSIONS

SYSTEM	L	W	H	I	E
ZFL-1120	9' 11" (3.0 m)	5' 9" (1.8 m)	6' 6" (2 m)	5' 5" (1.7 m)	4' 11" (1.5 m)
ZFL-1440	11' 1" (3.4 m)	6' (1.8 m)	6' 9" (2 m)	5' 8" (1.7 m)	5' 2" (1.6 m)
ZFL-1680	12' 9" (3.9 m)	6' (1.8 m)	6' 9" (2 m)	5' 8" (1.7 m)	5' 2" (1.6 m)
ZFL-2000	13' (4.0 m)	6' 6" (2 m)	7' 3" (2.2 m)	5' 10" (1.8 m)	5' 4" (1.6 m)
ZFL-2400	15' 4" (4.7 m)	6' 6" (2 m)	7' 3" (2.2 m)	5' 10" (1.8 m)	5' 4" (1.6 m)

NOTES:

1. Dimensions "I" and "E" are to the bottom of the inlet/outlet pipe.
2. The overall height dimension "H" is to the top of the narrow adapter ring, not the riser lid.
3. Riser kits are purchased separately.

III. Fusion® Installation

- 1. Rock Pad 6 Inches Deep? Yes No
(1/4" - 1/2" diameter gravel)
- 2. Fusion® Checked for Damage? Yes No
- 3. Fusion® Leveled? Yes No
- 4. Fusion® Secured by Anti-Flotation Device? Yes No
(Required in high water tables)
- 5. Fusion® Filled with Water? Yes No
- 6. Fusion® Checked for Leakage? Yes No
- 7. Risers Secured and Water-Tight? Yes No

IV. Control Panel Installation

- 1. Installed Properly? Yes No
(Check local requirements)
- 2. Blower Wired Properly? Yes No
- 3. Pressure Sensor Connections Checked? Yes No
- 4. Alarm Float Wired Properly? Yes No
- 5. Panel Tested and Operational? Yes No

V. Blower Installation

- 1. Installed Properly? Yes No
- 2. Accessible? Yes No
- 3. Well Ventilated? Yes No
- 4. Protected from Inundation/water damage? Yes No
- 5. Diameter of Air Line? _____ in/mm
- 6. Length of Air Line? _____ ft./m _____ in/mm
- 7. Airline Connections Checked? Yes No
- 8. Pressure Sensor Connections Checked? Yes No
- 9. Blower Tested and Operational? Yes No

VI. Fusion® Backfilling

- 1. Backfilled with Proper Material? Yes No
- 2. Backfill Tamped Around Fusion®? Yes No
- 3. Final Grade Mounded Around Fusion® to shed surface water? Yes No

VII. Startup

- 1. Recirculation Flow Rate: sec/L _____ Valve Position _____%
- 2. Riser Lids Secured with Screws? Yes No

Fusion Model	1120	1440	1680	2000	2400
Recirculating flow rate (GPM)	0.9 - 2.1	1.3 - 2.6	1.5 - 3.2	1.8 - 3.7	2.1 - 4.5
Recirculating flow rate (sec/liter)	8 - 18	6 - 12	5 - 11	4 - 9	4 - 8
Suggested valve opening (%)	20 - 25	30 - 35	30 - 35	15 - 20	15 - 20
Effluent valve opening (%)	30	25	25	60	60

NOTES

All Zoeller Pump Company products must be installed and maintained in accordance with all applicable codes and regulations. Product information presented here reflects conditions at time of publication. Consult factory regarding discrepancies or inconsistencies.