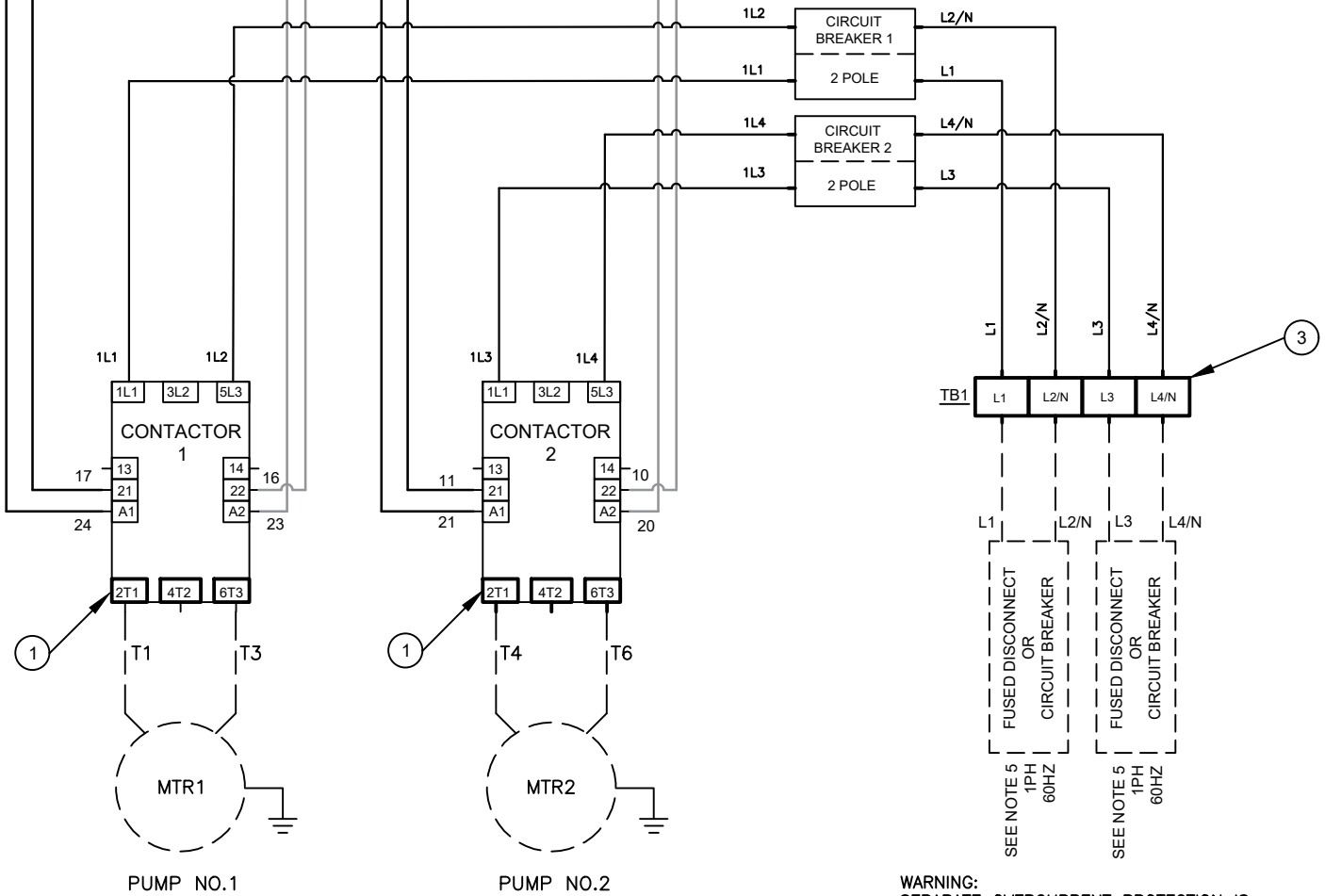
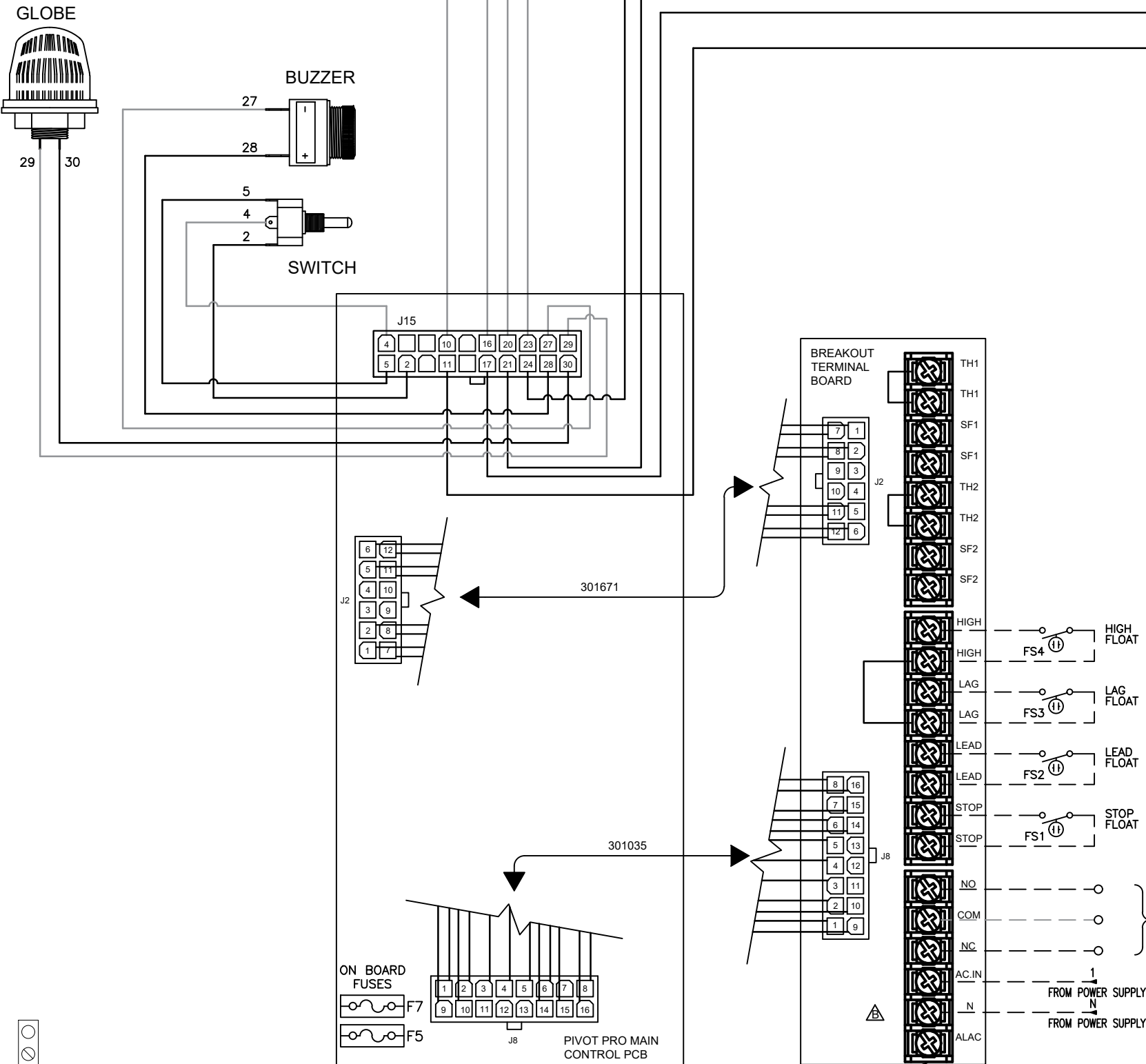


DRAWING REVISIONS				
LTR	BY	DATE	ECO #	DESCRIPTION
AF	AF	06/21/21	11319	RELEASE
B	AF	11/05/21	11391	AC JUMPER WIRE REMOVED

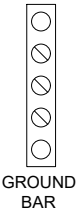
CUSTOMER TORQUE SETTING		
NUMBER	COMPONENT	TORQUE
1	CONTACTORS	1.7 N.m. 15 lb-in
2	BREAKOUT TERMINAL BOARD	1.15 N.m. 10 lb-in
3	TERMINAL BLOCK	1.8 N.m. 16 lb-in



WARNING:
SEPARATE OVERCURRENT PROTECTION IS REQUIRED TO BE PROVIDED IN ACCORDANCE WITH THE NFPA70: NATIONAL ELECTRICAL CODE

- NOTES:**
- CUSTOMER WIRING INDICATED BY DASHED LINES.
 - TIGHTENING TORQUE SPECIFIED IN "TORQUE SETTING" CHART.
 - WIRE TEMPERATURE RATING TO BE 60°C/140°F MINIMUM.
 - WIRING TYPE: COPPER AND SUITABLE FOR EXTERNAL HOOKUP
 - APPLICABLE VOLTAGE 120V, 208V & 240V.
 - CHOOSE ONE OF THE FOLLOWING VOLTAGE SELECT OPTIONS; 120V, 208V & 240V.

NOTICE: THESE ARE INFORMATIONAL SCHEMATICS ONLY. THEY DO NOT REPLACE PROFESSIONAL GUIDANCE WITHIN ANY JURISDICTION OR FOR ANY APPLICATION AN SHOULD NOT BE RELIED UPON TO DO SO



DRAWING DESCRIPTION: PIVOT PRO 1PH DUPLEX WITH CIRCUIT BREAKER & H+S WIRING DIAGRAM		NUMBERS ENCLOSED IN A CIRCLE (1), ARE CRITICAL TO QUALITY (CTQ) ITEMS. THIS INDICATES A CRUCIAL SPECIFICATION THAT MUST BE ROUTINELY VERIFIED.		ZOELLER PUMP COMPANY
TOLERANCES: X ±.1 XX ±.03 XXX ±.010		©COPYRIGHT, 2021 : ALL RIGHTS RESERVED BY ZOELLER.		
DRAFTER: A.FERNANDES		DATE: 06/21/21		ELECTRONIC SCALE: 1X DO NOT SCALE PRINT EXCEPT AS NOTED DIMENSIONS ARE IN INCHES. SHEET: 1 OF 2
PART NUMBER: 303025		PART REVISION: A		303025

