

Qwik Jon®

PREMIER

60 Hz

Making bathroom installations easy!

Features and Benefits:

- A quiet, preassembled grinder pump system requiring minimal space for installation!
- Install a complete bathroom without breaking concrete!
- Easily connects to a tub, shower, sink, or other fixtures with 2" NPT or 1-1/2" (DN25) slip side inlets
- No gravity drain required
- Install as a freestanding unit
- Automatic reset thermal overload protects the pump
- Carbon/Ceramic mechanical shaft seal for long life
- Upper and lower ball bearings for efficient and quiet operation
- Non-clogging vortex impeller for reliable operation
- Recessed side handles for carrying
- Withstands total immersion (IP68)
- 1" Discharge elbow with built-in check valve
- Standard 6' (1.8 m) cord with right angle plug
- Tri-Slice® Cutter Technology - three independent cutting channels provide over 250,000 cuts per minute
- Premium investment-cast 440C stainless steel cutter and cutter plate

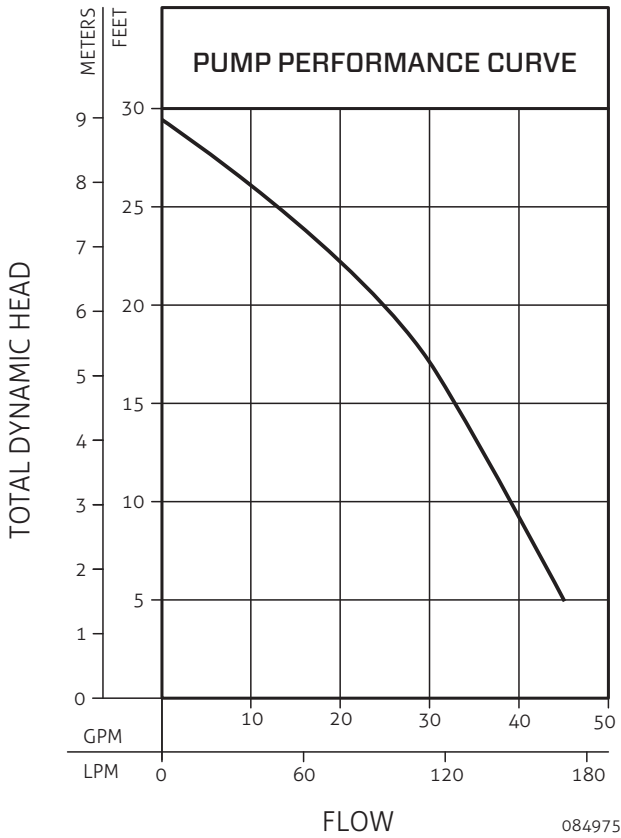


100% factory tested

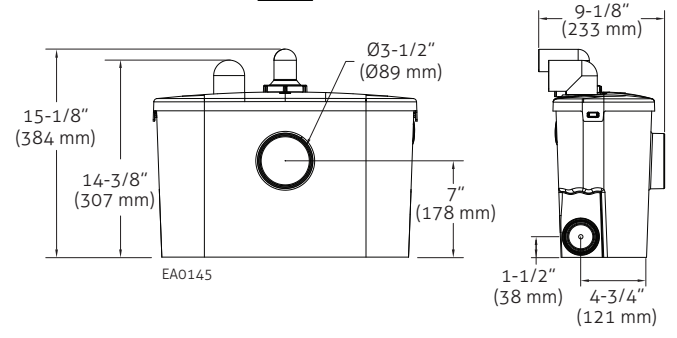
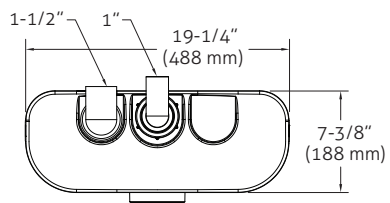
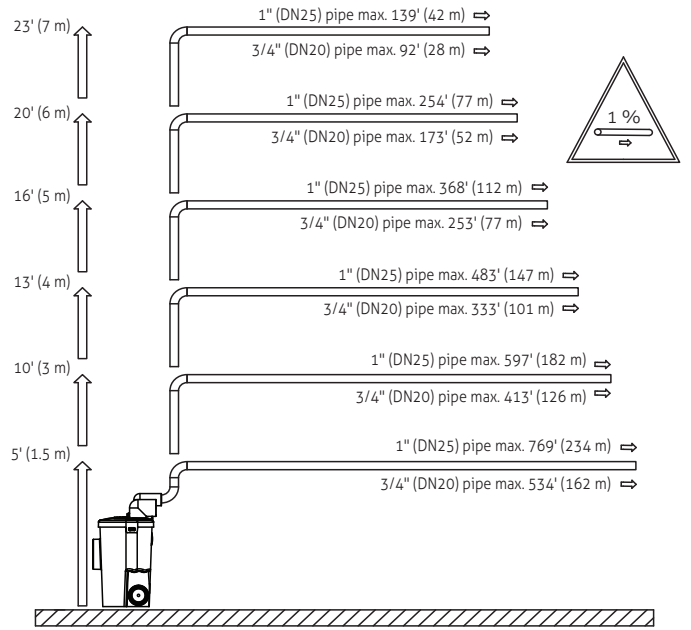
ZOELLER 
PUMP COMPANY

Trusted. Tested. Tough.®

FM3290_Ea
0722
Supersedes
0621



Model	Mode	Volts (V)	Ph Ø	Amps (A)	Motor		Weight	
					HP	kW (p1)	kg	lbs
201	Vertical Switch	115	1	9.6	1/2	1.0	13.5	29.8



To purchase Qwik Jon® Premier components individually order the following three items:

Model #	Product
201-0006	Qwik Jon® Premier grinder pump and tank
202-2000	Qwik Jon® elongated toilet bowl
202-3002	Qwik Jon® toilet tank and lid
10-3050	Optional extension kit (available for recessed or behind-the-wall installations)
10-5090	Optional high water Qwik Alarm for Qwik Jon® Premier
201-4000	Qwik Jon® Premier Ship-To-Home
201-0021	Qwik Jon® Premier All-In-One



When used with 1.28 gallon tank and fill valve



Model 202 meets the Americans with Disabilities Act guidelines and ANSI A117.1 requirements for accessible and usable facilities — check local codes



Product information presented here reflects conditions at time of publication. Consult factory regarding discrepancies or inconsistencies.

© Copyright 2022 Zoeller® Co. All rights reserved. www.zoellerpumps.com

