

Product information presented here reflects conditions at time of publication. Consult factory regarding discrepancies or inconsistencies.

MAIL TO: P.O. BOX 16347 • Louisville, KY 40256-0347
SHIP TO: 3649 Cane Run Road • Louisville, KY 40211-1961
TEL: (502) 778-2731 • 1 (800) 928-PUMP • FAX: (502) 774-3624

Visit our website:
zoellerpumps.com

REPLACEMENT PARTS LIST FOR MODELS:

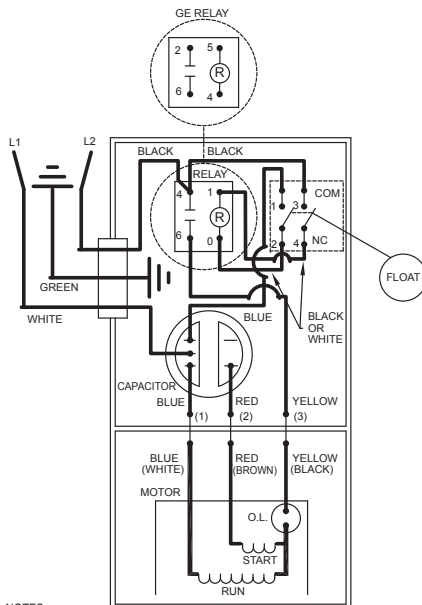
- H188 AUTOMATIC 200V/1PH
- I188 NONAUTOMATIC 200V/1PH
- J188 NONAUTOMATIC 200V/3PH
- F188 NONAUTOMATIC 230V/3PH
- G188 NONAUTOMATIC 460V/3PH
- BA188 NONAUTOMATIC 460V/3PH

Consult factory for all other models.

TO ORDER REPLACEMENT PARTS:

PLEASE FURNISH THE FOLLOWING INFORMATION:

- Model number
- Part number of pump
(If manufactured prior to June 1988, give 2 letter date code following Model No.)
- Part number and description of part

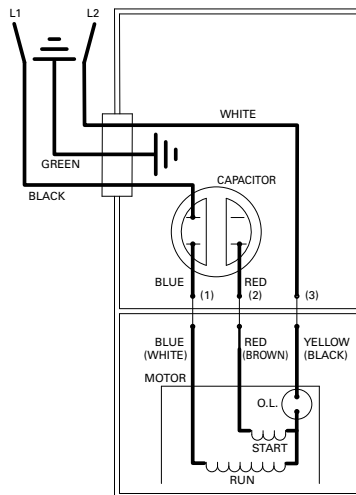


NOTES:

INSULATORS REQUIRED ON GE RELAY TERMINALS 2 & 5;
OMRON RELAY TERMINALS 1 & 4.

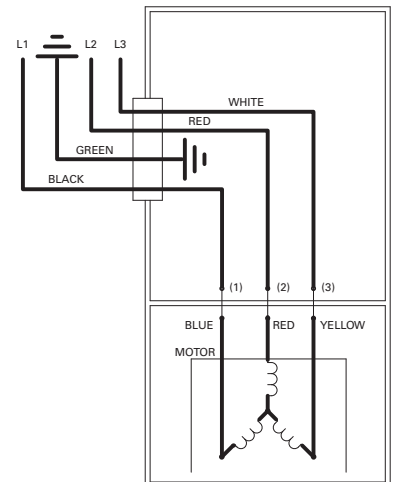
004622

WIRING DIAGRAM FOR MODEL
"H188" All Revisions
8/87 (UT) thru Current



002397

WIRING DIAGRAM FOR MODEL
"I188" All Revisions
12/87 (YT) thru Current



006848

WIRING DIAGRAM FOR MODELS
"J188" All Revisions, 12/87 (YT) thru Current
"F188" All Revisions, 1/86 (MS) thru Current
"G188" All Revisions 5/87 (RT) thru Current
"BA188" All Revisions, 1/91 thru Current

REPLACEMENT PARTS LIST FOR MODELS "H188"

See page 7 for "H188" illustration.

REF. NO.	DESCRIPTION	QTY	NOTES	MODELS: H188-A					H188-B	H188-C	H188-D	H188-E
				8/87 UT thru 4/93	5/93 thru 4/03	5/03 thru 5/08	6/08 thru 1/16	2/16 thru Current				
1	CASE SWITCH & CORD	1	2,3	005583	005125	014156	014156	014156				
2	• HANDLE	1		217069	217069	217069	217069	217069				
3	CORD TERM & SEAL	1	3	005384	005149	014172	014172	014172				
4	CLAMP, STRAIN RELIEF	1	3	NA	NA	013764	013764	013764				
5	• SEAL, CORD-ASM & STR RLF	1	3	094032	004375	015634	015634	015634				
6	CASE-MACH	1	3	004614	004633	014154	014154	014154				
7	• GUARD	1		001023	001023	001023	001023	001023				
8	• ARM & SEAL ASM	1	2	004745	004745	004745	004745	004745				
9	• GASKET, CASE/COVER	1		001011	001011	001011	001011	001011				
10	SWITCH ASM	1	2	004744	004744	004744	004744	004744				
11	• WIRE PKG (5) WIRES	1		004751	004751	004751	004751	004751				
12	CAPACITOR & CLAMP ASM	1		002381	006135	006135	006135	006135				
13	RELAY	1		297005	217093	217093	217093	153833				
14	FLOAT, PLASTIC	1		094039	094039	094039	094039	094039				
15	GUIDE ASM, FLT ROD	1		001072	001072	001072	001072	001072				
16	ROD ASM, FLT	1		003083	003083	003083	003083	003083				
17	HOUSING, MTR & STR	1	1	005204	005204	005204	019234	019234				
18	BEARING, SLEEVE	1		001012	001012	001012	NA	NA				
	BEARING, UPPER			NA	NA	NA	006703	006703				
19	• PLUG, TEST-WHITE	2		034090	034090	034090	034090	034090				
20	• SEAL, THRU WALL TERM	3		003402	003402	003402	003402	003402				
21	ROTOR & BRG	1		005205	005205	005205	019225	019225				
22	• BEARING, RADIAL	1		001013	001013	001013	010069	010069				
23	• SEAL, MTR HSG	1		001014	001014	001014	001014	001014				
24	• OIL, DIELECTRIC	1		002383	003168	003168	011066	011066				
25	ADAPTER-MACH	1		001003	001003	001003	001003	001003				
26	• SEAL, SHAFT	1		002430	002430	002430	002430	002430				
27	FLANGE PKG 2" NPT	1		217024	217024	217024	217024	217024				
	FLANGE PKG 3" NPT	1		317024	317024	317024	317024	317024				
28	IMPELLER "188" BRONZE	1		004203	004203	004203	004203	004203				
	IMPELLER "188" CAST IRON			NA	NA	NA	NA	157829				
29	HOUSING, PUMP-MACH	1		004188	004188	004188	004188	004188				
30	STRAINER PLATE	1		137008	137008	137008	137008	137008				
31	• SCREW, .25-20 X .75 HHM-SS	4		001916	001916	001916	001916	001916				
32	• SCREW, .313-18 X 1" HH CAP-SS	4		002608	002608	002608	002608	002608				
33	• SCREW, #10-24 X.375 RHM-SL SS	2		001883	001883	001883	001883	001883				
34	• SCREW, #6-32X.438 RHLTP STLZI	2		004644	004644	004644	004644	004644				
35	• SEM, 10-24X.375HH-SL TC.688 WASH	2		002000	002000	002000	002000	002000				
36	• WASHER, SS-1.25"ODX.562"IDX.078	2		002115	002115	002115	002115	002115				
37	• SCREW, .5-13 X 2 HH CAP-SS	2		001909	001909	001909	001909	001909				
38	• SCREW, #6-32X.25RHM SL TC STLGR	5		001877	001877	001877	001877	001877				
39	• SCREW, .25-20 X 1" HHM-SS	4		NA	007790	007790	007790	007790				
□	REBUILD KIT			004752	016103	016103	019647	019647				

• Items included in Rebuild Kit. □ Not shown in illustration.

NOTES:

- 1) Mtr. Hsg., Brg., Stator & Term. (Item 17) is preassembled at the factory and must be replaced as a unit. Stator is permanently attached to the Motor Housing. Plug (Item 19); Seal, Thru Wall Term. (Item 20) and Bearing - Upper (Item 18) are replaceable.
- 2) When ordering these parts, customer must identify if switch is a General Electric switch.
- 3) If an "X" follows Model No., or Date Mfg. on brass ID tag, consult factory for ordering of this part.
- 4) See FM0160 Parts Price Sheet for listing of parts prices.
- 5) "NA" indicates, not applicable.

REPLACEMENT PARTS LIST FOR MODELS "I188"

See page 7 for "I188" illustration.

REF. NO.	DESCRIPTION	QTY	NOTES	MODELS: I188-B		
				12/87 YT thru 4/83	I188-C	I188-D
1	• HANDLE	1		217069	217069	217069
2	COVER & CORD	1	2	005129	014159	014159
3	CORD TERM & SEAL	1	2	005200	014173	014173
4	CLAMP, STRAIN RELIEF	1	2	NA	013764	013764
5	• SEAL, CORD-ASM & STR RLF	1	2	004375	015634	015634
6	COVER-MACH	1	2	004372	014150	014150
7	• GASKET, CASE/COVER	1		001011	001011	001011
8	• WIRE PKG (5) WIRES	1		004751	004751	004751
9	CAPACITOR & CLAMP ASM	1		006135	006135	006135
10	HOUSING, MTR & STR	1	1	005204	005204	019234
11	BEARING, SLEEVE	1		001012	001012	NA
	BEARING, UPPER			NA	NA	006703
12	• PLUG, TEST-WHITE	2		034090	034090	034090
13	• SEAL, THRU WALL TERM	3		003402	003402	003402
14	ROTOR & BRG	1		005205	005205	019225
15	• BEARING, RADIAL	1		001013	001013	010069
16	• SEAL, MTR HSG	1		001014	001014	001014
17	OIL, DIELECTRIC	1		003168	003168	011066
18	ADAPTER-MACH	1		001003	001003	001003
19	• SEAL, SHAFT	1		002430	002430	002430
20	FLANGE PKG 2" NPT	1		217024	217024	217024
	FLANGE PKG 3" NPT	1		317024	317024	317024
21	IMPELLER "188" BRONZE	1		004203	004203	004203
	IMPELLER "188" CAST IRON			NA	NA	157829
22	HOUSING, PUMP-MACH	1		004188	004188	004188
23	STRAINER PLATE	1		137008	137008	137008
24	• SCREW, .25-20 X .75 HHM-SS	4		001916	001916	001916
25	• SCREW, .313-18 X 1"HH CAP-SS	4		002608	002608	002608
26	• SCREW, #10-24 X.375 RHM-SL SS	2		001883	001883	001883
27	• SEM, 10-24X.375HH-SL TC.688 WASH	2		002000	002000	002000
28	• SCREW, 5-13 X 2 HH CAP-SS	2		001909	001909	001909
29	• WASHER, SS-1.25"ODX.562"IDX.078	2		002115	002115	002115
30	• SCREW, #6-32X.25RHM SL TC STLGR	4		001877	001877	001877
31	• SCREW, .25-20 X 1" HHM-SS	4		007790	007790	007790
□	REBUILD KIT			014193	014193	019648

• Items included in Rebuild Kit. □ Not shown in illustration.

NOTES:

- 1) Mtr. Hsg., Brg., Stator & Term. (Item 10) is preassembled at the factory and must be replaced as a unit. Stator is permanently attached to the Motor Housing. Plug (Item 12); Seal, Thru Wall Term. (Item 13) and Bearing - Upper (Item 11) are replaceable.
- 2) If an "X" follows Model No., or Date Mfg. on brass ID tag, consult factory for ordering of this part.
- 3) See FM0160 Parts Price Sheet for listing of parts prices.
- 4) "NA" indicates, not applicable.

REPLACEMENT PARTS LIST FOR MODELS "J188"

See back page for "J188" illustration.

REF. NO.	DESCRIPTION	QTY	NOTES	MODELS:	
				J188-B	J188-C
				12/87 YT thru 5/08	6/08 thru Current
1	• HANDLE	1		217069	217069
2	COVER & CORD	1	2	014161	014161
3	COVER-MACH	1	2	014150	014150
4	• GASKET, CASE/COVER	1		001011	001011
5	HOUSING, MTR-& STR	1	1	005132	019235
6	BEARING, SLEEVE	1		001012	NA
	BEARING, UPPER			NA	006703
7	CLAMP, STRAIN RELIEF	1	2	013764	013764
8	CORD, TERM & SEAL	1	2	014177	014177
9	• SEAL, CORD-ASM & STR RLF	1	2	015634	015634
10	• PLUG, TEST-WHITE	2		034090	034090
11	• SEAL THRU WALL TERM	3		003402	003402
12	ROTOR & BRG	1		004579	019226
13	• BEARING, RADIAL	1		001013	010069
14	• SEAL, MTR HSG	1		001014	001014
15	• OIL, DIELECTRIC	1		003168	011066
16	ADAPTER-MACH	1		001003	001003
17	• SEAL, SHAFT	1		002430	002430
18	IMPELLER ASM "188" BRONZE	1		005223	005223
	IMPELLER ASM "188" CAST IRON			NA	157830
19	FLANGE PKG 2" NPT	1		217024	217024
	FLANGE PKG 3" NPT	1		317024	317024
20	HOUSING, PUMP-MACH	1		004188	004188
21	• SCREW, #6-32X.25RHM SL TC STLGR	1		001877	001877
22	• SCREW, .25-20 X .75 HHM-SS	4		001916	001916
23	• SCREW, .313-18 X 1" HH CAP-SS	4		002608	002608
24	• SCREW, .5-13 X 2 HH CAP-SS	2		001909	001909
25	• WASHER, SS-1.25" ODX.562" IDX.078	2		002115	002115
26	• SCREW, #10-24 X.375 RHM-SL SS	1		001883	001883
27	STRAINER PLATE	1		137008	137008
28	• SEM, 10-24X.375HH-SL TC.688 WASH	2		002000	002000
29	• SCREW, .25-20 X 1 HHM-SS	4		007790	007790
30	• NUT, 7/16-20 ACORN SS	1		004351	004351
□	REBUILD KIT			014193	019648

• Items included in Rebuild Kit. □ Not shown in illustration.

NOTES:

- 1) Mtr. Hsg., Brg., Stator & Term. (Item 5) is preassembled at the factory and must be replaced as a unit. Stator is permanently attached to the Motor Housing. Plug (Item 10); Seal, Thru Wall Term. (Item 11) and Bearing - Upper (Item 6) are replaceable.
- 2) If an "X" follows Model No., or Date Mfg. on ID tag, consult factory for ordering of this part.
- 3) See FM0160 Parts Price Sheet for listing of parts prices.
- 4) "NA" indicates, not applicable.

REPLACEMENT PARTS LIST FOR MODELS "F188"

See back page for "F188" illustration.

REF. NO.	DESCRIPTION	MODELS:		F188-A	F188-B	F188-C
		QTY	NOTES	1/86 MS thru 8/86 US	9/86 VS thru 5/08	6/08 thru Current
1	• HANDLE	1		217069	217069	217069
2	COVER & CORD	1	2	002963	002963	002963
3	COVER-MACH	1	2	001077	001077	001077
4	• GASKET, CASE/COVER	1		001011	001011	001011
5	HOUSING, MTR-& STR	1	1	005136	005136	019236
6	BEARING, SLEEVE	1		001012	001012	NA
	BEARING, UPPER			NA	NA	006703
7	CLAMP, STRAIN RELIEF	1	2	001770	001770	001770
8	CORD, TERM & SEAL	1	2	005131	005131	005131
9	• SEAL, CORD-ASM & STR RLF	1	2	011656	011656	011656
10	• PLUG, TEST-WHITE	2		034090	034090	034090
11	• SEAL THRU WALL TERM	3		003402	003402	003402
12	ROTOR & BRG	1		004579	004579	019226
13	• BEARING, RADIAL	1		001013	001013	010069
14	• SEAL, MTR HSG	1		001014	001014	001014
15	• OIL, DIELECTRIC	1		003168	003168	011066
16	ADAPTER-MACH	1		001003	001003	001003
17	• SEAL, SHAFT	1		002430	002430	002430
18	IMPELLER ASM "188" BRONZE	1		005223	005223	005223
	IMPELLER ASM "188" CAST IRON			NA	NA	157830
19	FLANGE PKG 2" NPT	1		217024	217024	217024
	FLANGE PKG 3" NPT	1		317024	317024	317024
20	HOUSING, PUMP-MACH	1		004188	004188	004188
21	• SCREW, #6-32X.25RHM SL TC STLGR	1		001877	001877	001877
22	• SCREW, .25-20 X .75 HHM-SS	4		001916	001916	001916
23	• SCREW, .313-18 X 1" HH CAP-SS	4		002608	002608	002608
24	• SCREW, .5-13 X 2 HH CAP-SS	2		001909	001909	001909
25	• WASHER, SS-1.25"ODX.562"IDX.078	2		002115	002115	002115
26	• SCREW, #10-24 X.375 RHM-SL SS	1		001883	001883	001883
27	STRAINER PLATE	1		137008	137008	137008
28	• SEM,10-24X.375HH-SL TC.688 WASH	2		002000	002000	002000
29	• SCREW, .25-20 X 1 HHM-SS	4		007790	007790	007790
30	• NUT, 7/16-20 ACORN SS	1		004351	004351	004351
□	REBUILD KIT			014193	014193	019648

• Items included in Rebuild Kit.

□ Not shown in illustration.

NOTES:

- 1) Mtr. Hsg., Brg., Stator & Term. (Item 5) is preassembled at the factory and must be replaced as a unit. Stator is permanently attached to the Motor Housing. Plug (Item 10); Seal, Thru Wall Term. (Item 11) and Bearing - Upper (Item 6) are replaceable.
- 2) If an "X" follows Model No., or Date Mfg. on ID tag, consult factory for ordering of this part.
- 3) See FM0160 Parts Price Sheet for listing of parts prices.
- 4) "NA" indicates, not applicable.

REPLACEMENT PARTS LIST FOR MODELS "G188" & "BA188"

See back page for "G188" & "BA188" illustrations.

REF. NO.	DESCRIPTION	MODELS:		G188-A	G188-B	BA188-A	BA188-B
		QTY	NOTES	5/87 RT thru 5/08	6/08 thru Current	1/91 thru 5/08	6/08 thru Current
1	• HANDLE	1		217069	217069	217069	217069
2	COVER & CORD	1	2	002963	002963	002963	002963
3	COVER-MACH	1	2	001077	001077	001077	001077
4	• GASKET, CASE/COVER	1		001011	001011	001011	001011
5	HOUSING, MTR-& STR	1	1	004578	019237	006288	019238
6	BEARING, SLEEVE	1		001012	NA	001012	NA
	BEARING, UPPER			NA	006703	NA	006703
7	CLAMP, STRAIN RELIEF	1	2	001770	001770	001770	001770
8	CORD, TERM & SEAL	1	2	005131	005131	005131	005131
9	• SEAL, CORD-ASM & STR RLF	1	2	011656	011656	011656	011656
10	• PLUG, TEST-WHITE	2		034090	034090	034090	034090
11	• SEAL THRU WALL TERM	3		003402	003402	003402	003402
12	ROTOR & BRG	1		004579	019226	004579	019226
13	• BEARING, RADIAL	1		001013	010069	001013	010069
14	• SEAL, MTR HSG	1		001014	001014	001014	001014
15	• OIL, DIELECTRIC	1		003168	011066	003168	011066
16	ADAPTER-MACH	1		001003	001003	001003	001003
17	• SEAL, SHAFT	1		002430	002430	002430	002430
18	IMPELLER ASM "188" BRONZE	1		005223	005223	005223	005223
	IMPELLER ASM "188" CAST IRON			NA	157830	NA	157830
19	FLANGE PKG 2" NPT	1		217024	217024	217024	217024
	FLANGE PKG 3" NPT	1		317024	317024	317024	317024
20	HOUSING, PUMP-MACH	1		004188	004188	004188	004188
21	• SCREW, #6-32X.25RHM SL TC STLGR	1		001877	001877	001877	001877
22	• SCREW, .25-20 X .75 HHM-SS	4		001916	001916	001916	001916
23	• SCREW, .313-18 X 1" HH CAP-SS	4		002608	002608	002608	002608
24	• SCREW, .5-13 X 2 HH CAP-SS	2		001909	001909	001909	001909
25	• WASHER, SS-1.25" ODX.562" IDX.078	2		002115	002115	002115	002115
26	• SCREW, #10-24 X.375 RHM-SL SS	1		001883	001883	001883	001883
27	STRAINER PLATE	1		137008	137008	137008	137008
28	• SEM, 10-24X.375HH-SL TC.688 WASH	2		002000	002000	002000	002000
29	• SCREW, .25-20 X 1 HHM-SS	4		007790	007790	007790	007790
30	• NUT, 7/16-20 ACORN SS	1		004351	004351	004351	004351
□	REBUILD KIT			014193	019648	014193	019648

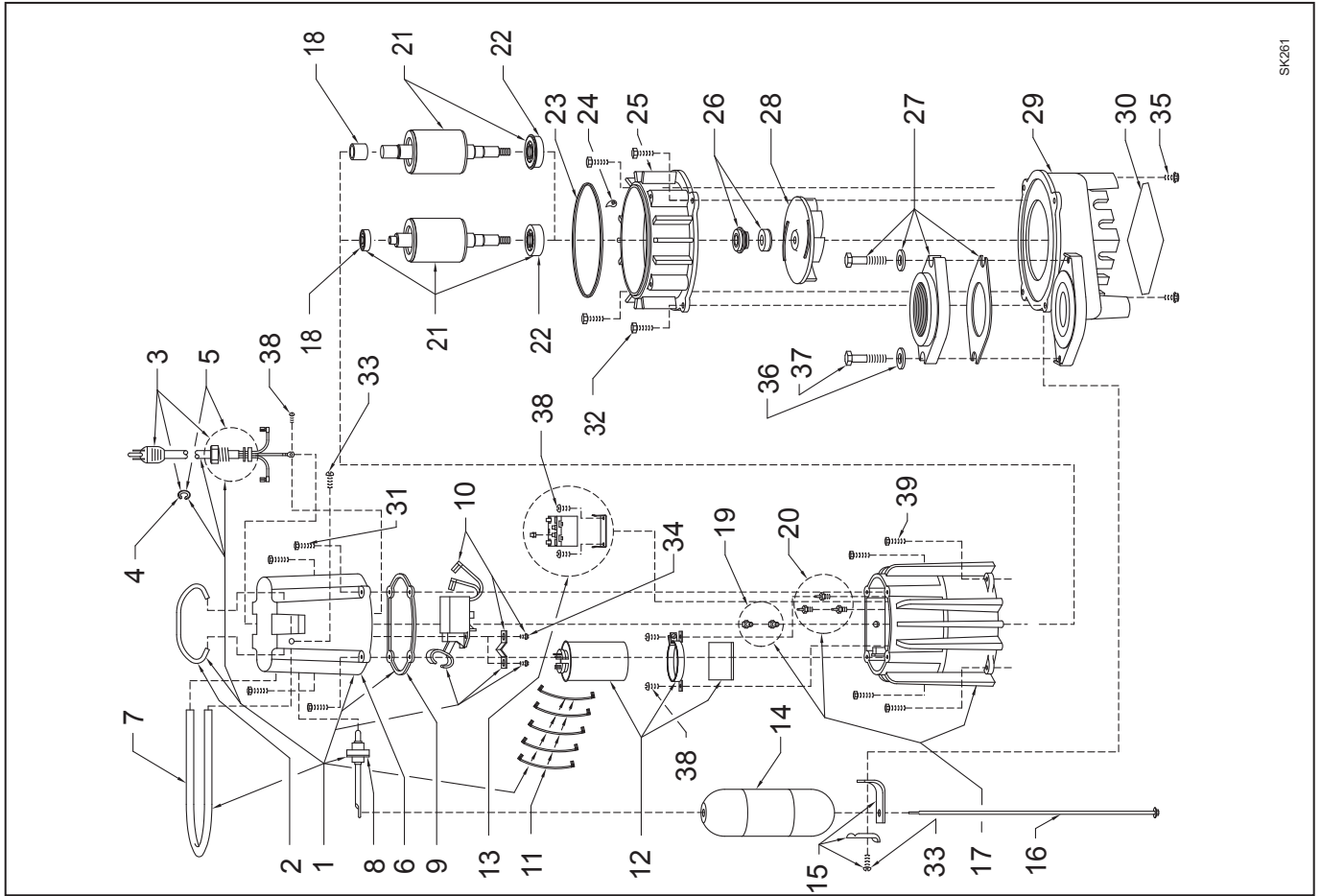
• Items included in Rebuild Kit.

□ Not shown in illustration.

NOTES:

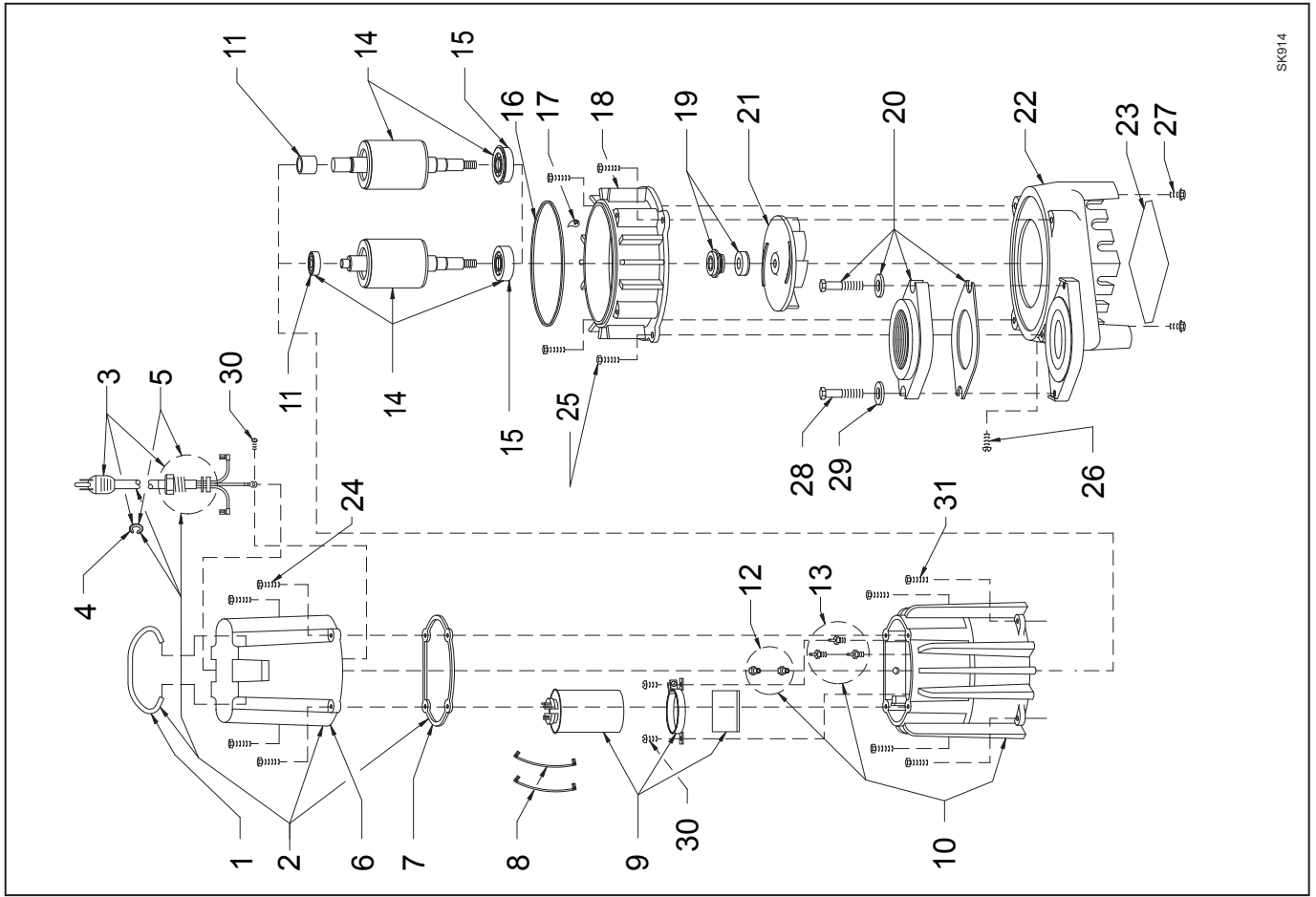
- 1) Mtr. Hsg., Brg., Stator & Term. (Item 5) is preassembled at the factory and must be replaced as a unit. Stator is permanently attached to the Motor Housing. Plug (Item 10); Seal, Thru Wall Term. (Item 11) and Bearing - Upper (Item 6) are replaceable.
- 2) If an "X" follows Model No., or Date Mfg. on ID tag, consult factory for ordering of this part.
- 3) See FM0160 Parts Price Sheet for listing of parts prices.
- 4) "NA" indicates, not applicable.

REPLACEMENT PARTS ILLUSTRATION FOR MODEL "H188"



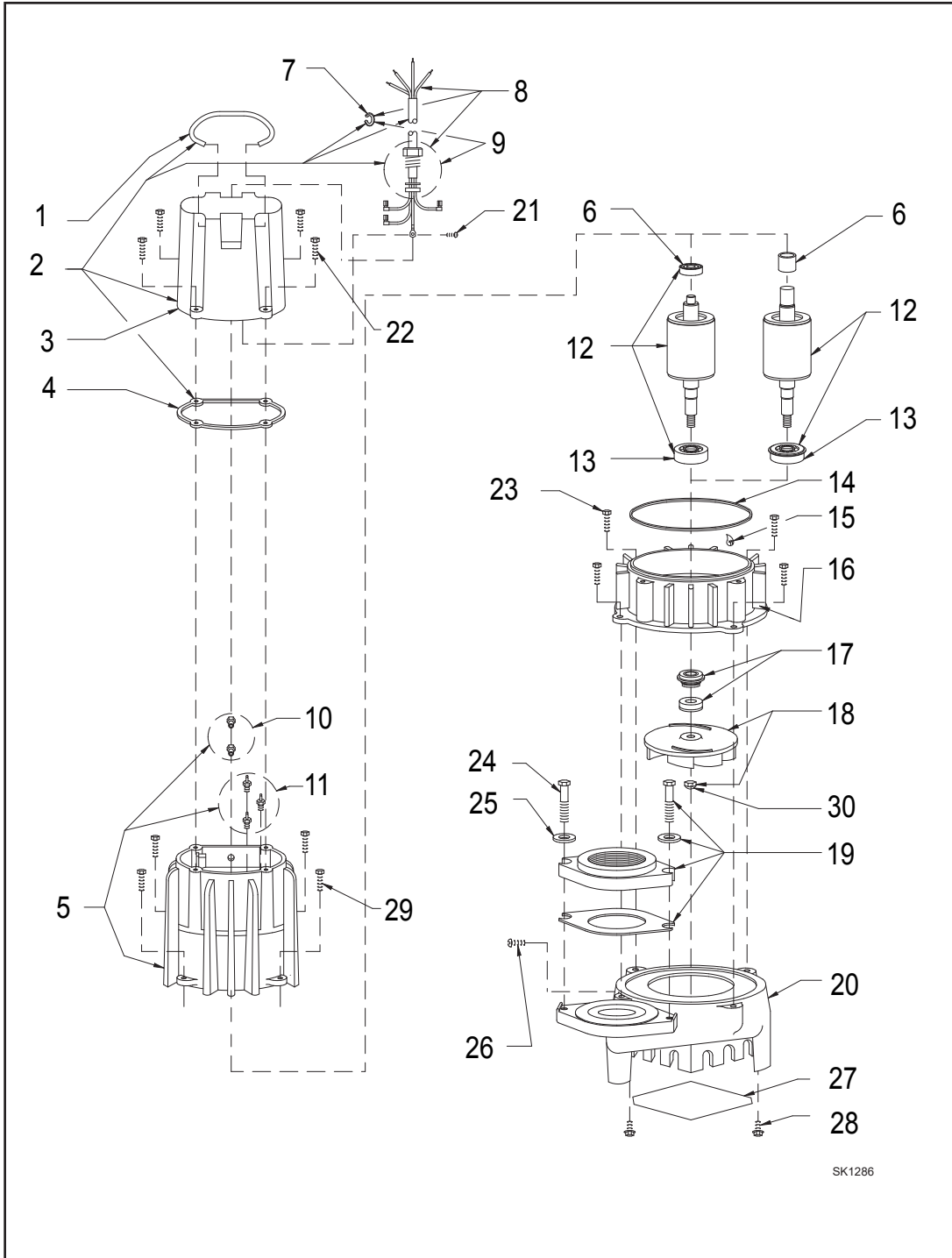
SKC261

REPLACEMENT PARTS ILLUSTRATION FOR MODEL "I188"



SK914

REPLACEMENT PARTS ILLUSTRATION FOR MODELS "J", "F", "G" & "BA188"



SK1286



MAIL TO: P.O. BOX 16347 • Louisville, KY 40256-0347
SHIP TO: 3649 Cane Run Road • Louisville, KY 40211-1961
(502) 778-2731 • 1 (800) 928-PUMP • FAX (502) 774-3624

Trusted. Tested. Tough.®

Visit our website:
zoellerpumps.com