

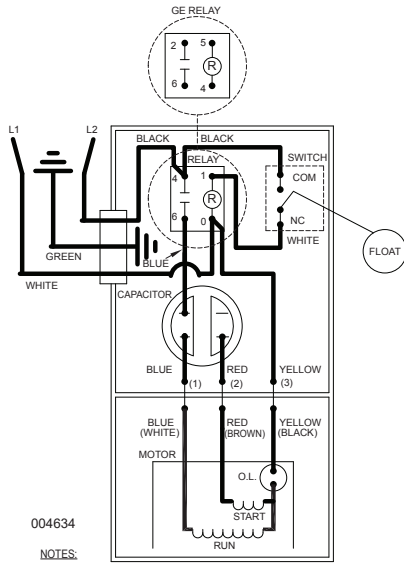
Product information presented here reflects conditions at time of publication. Consult factory regarding discrepancies or inconsistencies.

MAIL TO: P.O. BOX 16347 • Louisville, KY 40256-0347
 SHIP TO: 3649 Cane Run Road • Louisville, KY 40211-1961
 TEL: (502) 778-2731 • 1 (800) 928-PUMP • FAX: (502) 774-3624

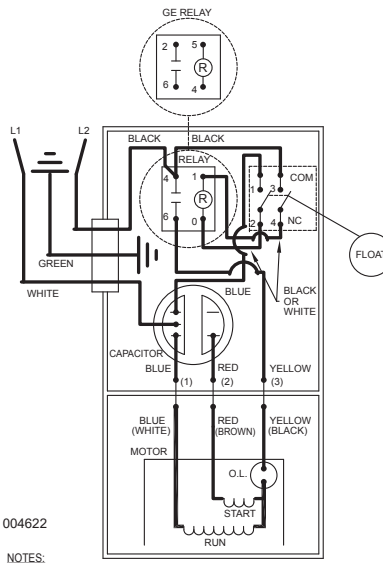
Visit our website:
 zoellerpumps.com

REPLACEMENT PARTS LIST FOR MODELS:

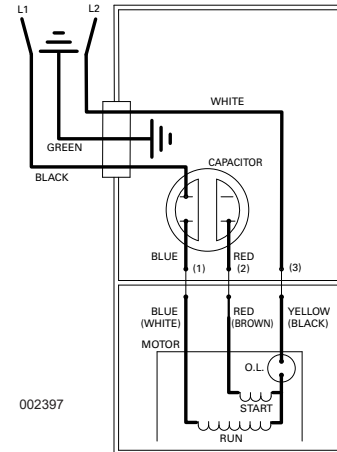
D189 AUTOMATIC 230V
 E189 NONAUTOMATIC 230V
 XE189 NONAUTOMATIC 230V
 WD189 NONAUTOMATIC 230V
 Consult factory for all others models



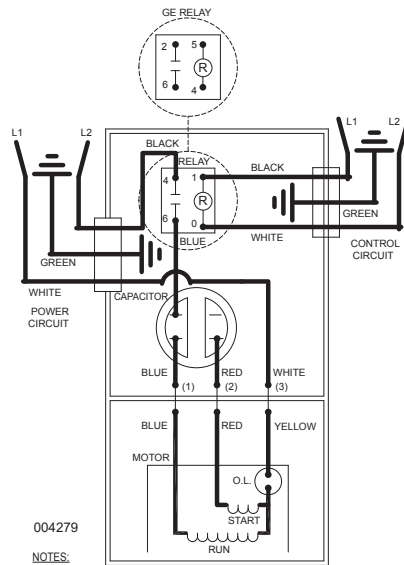
WIRING DIAGRAM FOR MODELS "D189-A", "D189-B" 2/85 (NR) thru 8/86 (US)



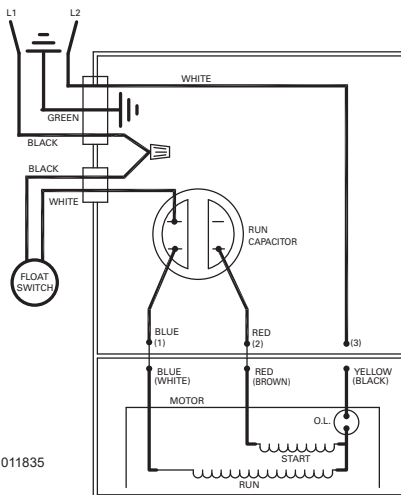
WIRING DIAGRAM FOR MODELS "D189-C" 9/86 (VS) thru Current



WIRING DIAGRAM FOR MODELS "E189" All Revisions 2/85 (NR) thru Current



WIRING DIAGRAM FOR MODELS "XE189" All Revisions 2/85 (NR) thru Current



WIRING DIAGRAM FOR MODELS "WD189-A" thru "WD189-C" 2/98 thru Current

TO ORDER REPLACEMENT PARTS:

PLEASE FURNISH THE FOLLOWING INFORMATION:

- Model Number.
- Part Number of Pump.
 (If manufactured prior to June 1988, give 2 letter date code following Model No.)
- Part Number and Description of part.

REPLACEMENT PARTS LIST FOR MODELS "D189"

See page 4 for "D189" illustration.

REF. NO.	DESCRIPTION	QTY	NOTES	MODELS: D189-A						
				D189-B	D189-C	D189-D	D189-E	D189-F	D189-G	
				2/85 NR thru 7/85 TR	8/85 UR thru 8/86 US	9/86 VS thru 5/87 RT	6/87 ST thru 4/03	5/03 thru 5/08	6/08 thru 1/16	2/16 thru Current
1	CASE SW & CORD	1	2,3	004754	004754	004754	004754	014167	014167	014167
2	• HANDLE	1		217069	217069	217069	217069	217069	217069	217069
3	CORD TERM & SEAL	1	3	004205	004374	004374	004374	014174	014174	014174
4	CLAMP, STRAIN RELIEF	1	3	001769	001769	001769	001769	013764	013764	013764
5	• SEAL, CORD-ASM & STR RLF	1	3	004099	004375	004375	004375	015634	015634	015634
6	CASE-MACH	1	3	004754	004754	004633	004633	014154	014154	014154
7	• GUARD	1		001023	001023	001023	001023	001023	001023	001023
8	• ARM & SEAL ASM	1	2	002379	002379	004745	004745	004745	004745	004745
9	• GASKET, CASE/COVER	1		001011	001011	001011	001011	001011	001011	001011
10	SWITCH ASM	1	2	004206	004206	004744	004744	004744	004744	004744
11	• WIRE PKG (5) WIRES	1		004174	004174	004751	004751	004751	004751	004751
12	CAPACITOR & CLAMP ASM	1		006135	006135	006135	006135	006135	006135	006135
13	RELAY	1		217093	217093	217093	217093	217093	217093	153833
14	FLOAT, PLASTIC	1		094039	094039	094039	094039	094039	094039	094039
15	GUIDE ASM, FLT ROD	1		001072	001072	001072	001072	001072	001072	001072
16	ROD ASM, FLT	1		003083	003083	003083	003083	003083	150439	150439
17	HOUSING, MTR & STR	1	1	004100	004100	004100	004993	004993	019233	019233
18	BEARING, UPPER SLEEVE	1		001012	001012	001012	001012	001012	NA	NA
	• BEARING, UPPER BALL		NA	NA	NA	NA	NA	006703	006703	
19	• PLUG, TEST-WHITE	2		034090	034090	034090	034090	034090	034090	034090
20	• SEAL, THRU WALL TERM	3		003402	003402	003402	003402	003402	003402	003402
21	ROTOR & BRG	1		004101	004101	004101	004994	004994	019225	019225
22	• BEARING, RADIAL	1		001013	001013	001013	001013	001013	010069	010069
23	• SEAL, MTR HSG	1		001014	001014	001014	001014	001014	001014	001014
24	• OIL, DIELECTRIC	1		002383	002383	002383	002383	003168	011066	011066
25	ADAPTER-MACH	1		001003	001003	001003	001003	001003	001003	001003
26	• SEAL, SHAFT	1		002430	002430	002430	002430	002430	002430	002430
27	FLANGE PKG 2" NPT	1		10-1305	10-1305	10-1305	10-1305	10-1305	10-1305	10-1305
	FLANGE PKG 3" NPT	1		10-1306	10-1306	10-1306	10-1306	10-1306	10-1306	10-1306
28	IMPELLER "189" BRONZE	1		004207	004207	004207	004207	004207	004207	004207
	IMPELLER "189" CAST IRON		NA	NA	NA	NA	NA	NA	157833	
29	HOUSING, PUMP-MACH	1		004198	004198	004198	004188	004188	004188	004188
30	STRAINER PLATE	1		137008	137008	137008	137008	137008	137008	137008
31	• SCREW, .25-20 X .75 HHM-SS	4		001916	001916	001916	001916	001916	001916	001916
32	• SCREW, .313-18 X 1" HH CAP-SS	4		002608	002608	002608	002608	002608	002608	002608
33	• SCREW, #10-24 X.375 RHM-SL SS	2		001883	001883	001883	001883	001883	001883	001883
34	• SCREW, #6-32X.438RHS LTP"1" STLZI	2		001877	001877	004644	004644	004644	004644	004644
35	• SEM, 10-24X.375HH-SL TC.688 WASH	2		002000	002000	002000	002000	002000	002000	002000
36	• WASHER, SS-1.25" ODX.562" IDX.078	2		002115	002115	002115	002115	002115	002115	002115
37	• SCREW, .5-13 X 2 HH CAP-SS	2		001909	001909	001909	001909	001909	001909	001909
38	• SCREW, #6-32X.25RHM SL TC STLGR	5		001877	001877	001877	001877	001877	001877	001877
39	• SCREW, .25-20 X 1" HHM-SS	4		007790	007790	007790	007790	007790	007790	007790
□	REBUILD KIT			004208	004584	004753	004753	016103	019647	019647

• Items included in Rebuild Kit.

□ Not shown in illustration.

NOTES:

- 1) Mtr. Hsg., Brg., Stator & Term. (Item 17) is preassembled at the factory and must be replaced as a unit. Stator is permanently attached to the Motor Housing. Plug (Item 19); Seal, Thru Wall Term. (Item 20) and Bearing - Upper (Item 18) are replaceable.
- 2) When ordering these parts, customer must identify if switch is a General Electric switch.
- 3) If an "X" follows Model No., or Date Mfg. on brass ID tag, consult factory for ordering of this part.
- 4) See FM0160 Parts Price Sheet for listing of parts prices.
- 5) "NA" indicates, not applicable.

REPLACEMENT PARTS LIST FOR MODELS "E189"

See page 4 for "E189" illustration.

REF. NO.	DESCRIPTION	QTY	NOTES	MODELS: E189-A						E189-B	E189-C	E189-D	E189-E	E189-F
				2/85 NR thru 7/85 TR	8/85 UR thru 8/86 US	9/86 VS thru 5/87 RT	6/87 ST thru 4/03	5/03 thru 5/08	6/08 thru Current					
1	• HANDLE	1		217069	217069	217069	217069	217069	217069	217069				
2	COVER & CORD	1	2	004097	004097	004097	004097	014162	014162					
3	CORD TERM & SEAL	1	2	004098	004376	004376	004376	014175	014175					
4	CLAMP, STRAIN RELIEF	1	2	001769	001769	001769	001769	013764	013764					
5	• SEAL, CORD ASM & STR RLF	1	2	004099	004375	004375	004375	015634	015634					
6	COVER-MACH	1	2	002699	004372	004372	004372	014150	014150					
7	• GASKET, CASE/COVER	1		001011	001011	001011	001011	001011	001011					
8	• WIRE PKG (5) WIRES	1		004174	004174	004751	004751	004751	004751					
9	• CAPACITOR & CLAMP ASM	1		006135	006135	006135	006135	006135	006135					
10	HOUSING, MTR & STR	1	1	004100	004100	004100	004993	004993	019233					
11	BEARING, UPPER SLEEVE	1		001012	001012	001012	001012	001012	NA					
	• BEARING, UPPER BALL			NA	NA	NA	NA	NA	006703					
12	• PLUG, TEST-WHITE	2		034090	034090	034090	034090	034090	034090					
13	• SEAL, THRU WALL TERM	3		003402	003402	003402	003402	003402	003402					
14	ROTOR & BRG	1		004101	004101	004101	004994	004994	019225					
15	• BEARING, RADIAL	1		001013	001013	001013	001013	001013	010069					
16	• SEAL, MTR HSG	1		001014	001014	001014	001014	001014	001014					
17	• OIL, DIELECTRIC	1		002383	002383	002383	002383	003168	011066					
18	ADAPTER-MACH	1		001003	001003	001003	001003	001003	001003					
19	• SEAL, SHAFT	1		002430	002430	002430	002430	002430	002430					
20	FLANGE PKG 2" NPT	1		10-1305	10-1305	10-1305	10-1305	10-1305	10-1305					
	FLANGE PKG 3" NPT	1		10-1306	10-1306	10-1306	10-1306	10-1306	10-1306					
21	IMPELLER "189" BRONZE	1		004207	004207	004207	004207	004207	004207					
	IMPELLER "189" CAST IRON			NA	NA	NA	NA	NA	157833					
22	HOUSING, PUMP-MACH	1		004198	004198	004198	004188	004188	004188					
23	STRAINER PLATE	1		137008	137008	137008	137008	137008	137008					
24	• SCREW, .25-20 X .75 HHM-SS	4		001916	001916	001916	001916	001916	001916					
25	• SCREW, .313-18 X 1"HH CAP-SS	2		002608	002608	002608	002608	002608	002608					
26	• SCREW, #10-24 X.375 RHM-SL SS	2		001883	001883	001883	001883	001883	001883					
27	• SEM, 10-24X.375HH-SL TC.688 WASH	2		002000	002000	002000	002000	002000	002000					
28	• SCREW, .5-13 X 2 HH CAP-SS	2		001909	001909	001909	001909	001909	001909					
29	• WASHER, SS-1.25"ODX.562"IDX.078	2		002115	002115	002115	002115	002115	002115					
30	• SCREW, #6-32X.25RHM SL TC STLGR	3		001877	001877	001877	001877	001877	001877					
31	• SCREW, .25-20X1" HHM-SS	4		007790	007790	007790	007790	007790	007790					
□	REBUILD KIT			004208	004584	004753	004753	014193	019648					

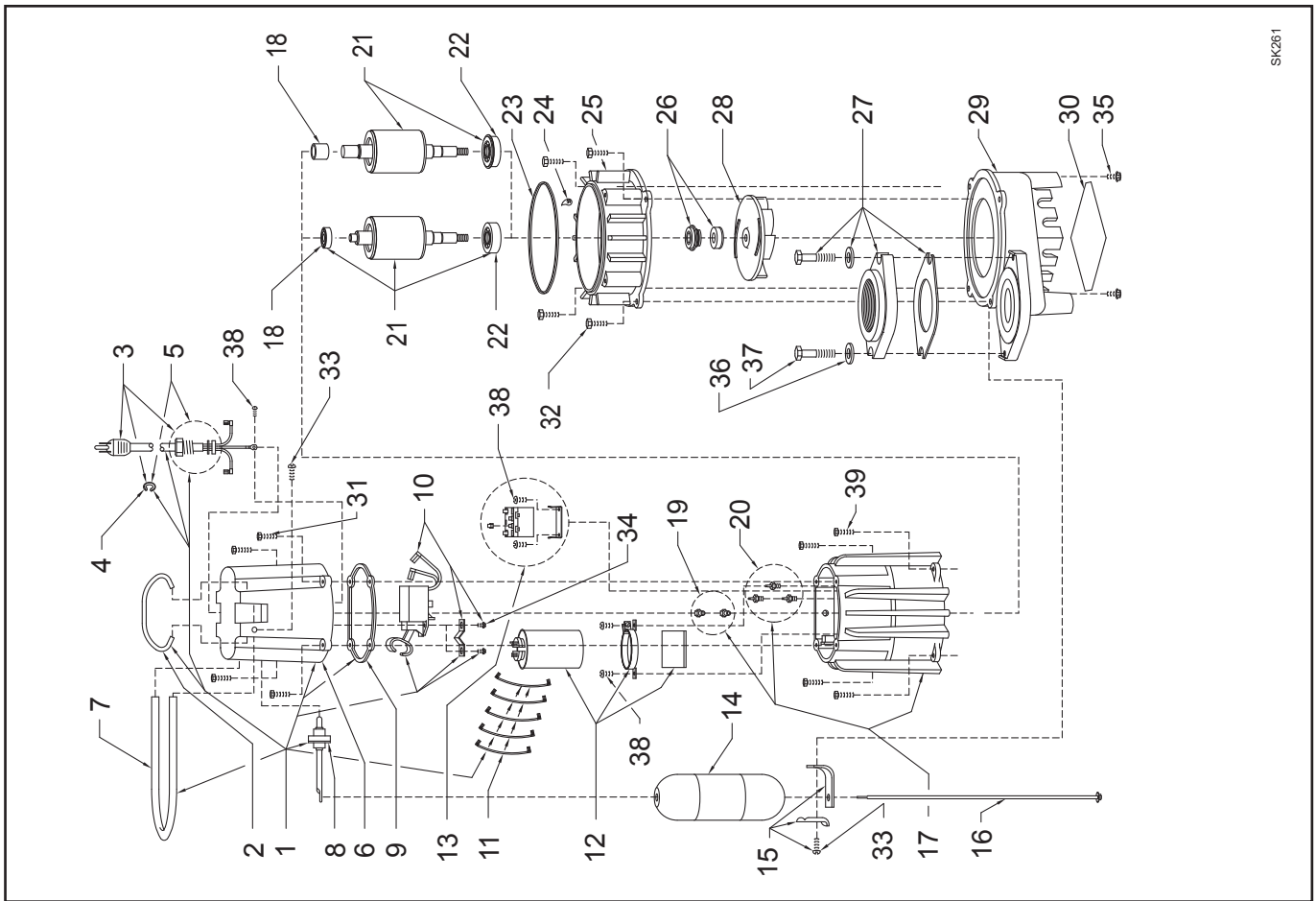
• Items included in Rebuild Kit.

□ Not shown in illustration.

NOTES:

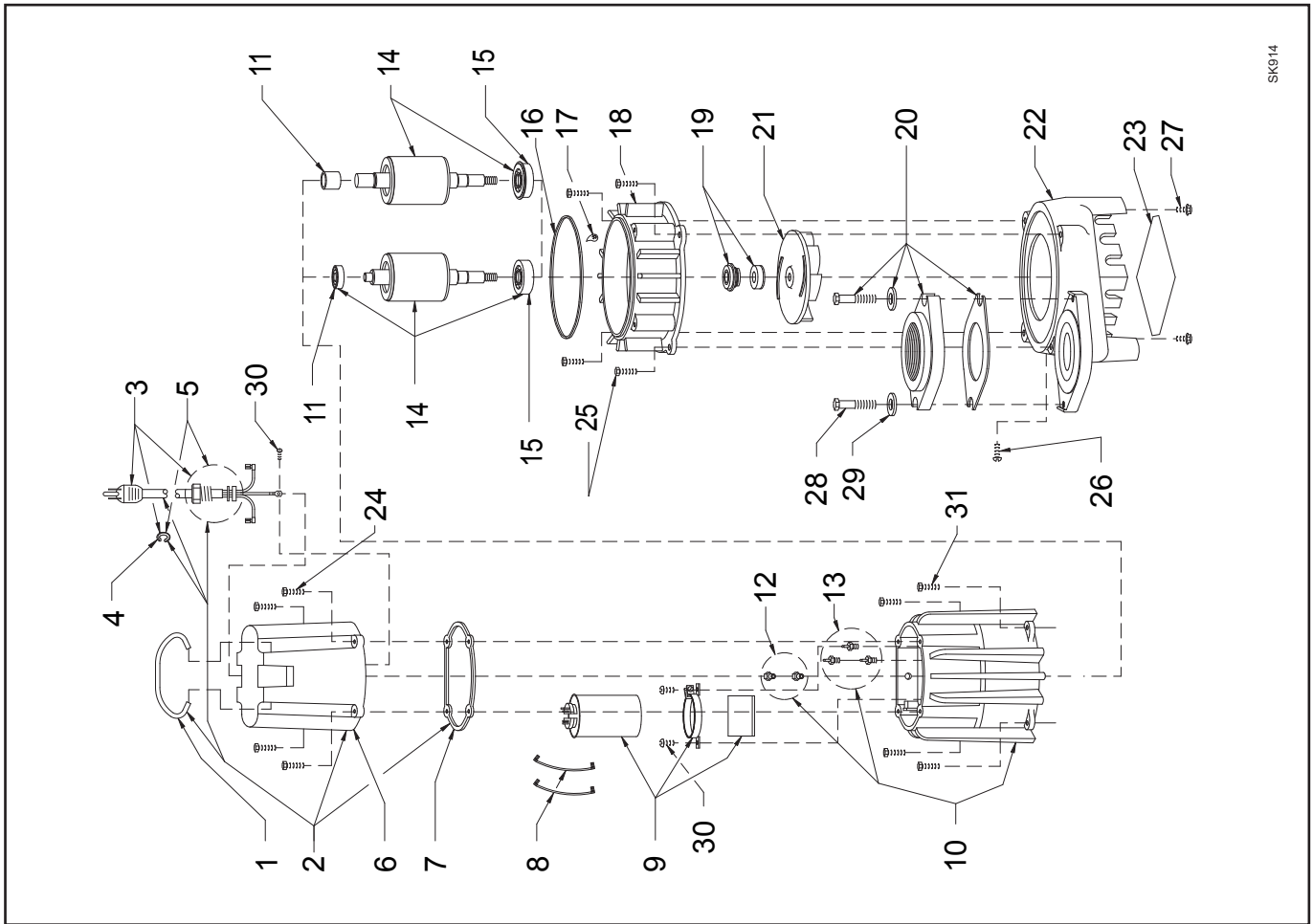
- 1) Mtr. Hsg., Brg., Stator & Term. (Item 10) is preassembled at the factory and must be replaced as a unit. Stator is permanently attached to the Motor Housing. Plug (Item 12); Seal, Thru Wall Term. (Item 13) and Bearing - Upper (Item 11) are replaceable.
- 2) If an "X" follows Model No., or Date Mfg. on brass ID tag, consult factory for ordering of this part.
- 3) See FM0160 Parts Price Sheet for listing of parts prices.
- 4) "NA" indicates, not applicable.

REPLACEMENT PARTS ILLUSTRATION FOR MODEL "D189"



SK261

REPLACEMENT PARTS ILLUSTRATION FOR MODEL "E189"



SK914

REPLACEMENT PARTS LIST FOR MODELS "XE189"

REF. NO.	DESCRIPTION	QTY	NOTES	MODELS: XE189-A				
				2/85 NR thru 7/85 TR	8/85 UR thru 8/86 US	9/86 VS thru 5/87 RT	6/87 ST thru 3/98	4/98 thru Current
1	• HANDLE	1		217069	217069	217069	217069	217069
2	COVER & CORD	1	2	004280	004280	004280	004280	011040
3	CORD TERM & SEAL	1	2	004098	004376	004376	004376	004376
4	• SEAL, CORD-ASM & STR RLF	1		004099	004375	004375	004375	004375
5	CLAMP, STRAIN RELIEF	1		001769	001769	001769	001769	001769
6	CORD TERM & SEAL	1	2	004281	004377	004377	004377	011042
7	SEAL, CORD-ASM & STR RLF	1		002351	004378	004378	004378	094032
8	CLAMP, STRAIN RELIEF	1		001770	001770	001770	001770	001770
9	COVER-MACH	1		004276	004373	004373	004373	008857
10	• GASKET, CASE/COVER	1		001011	001011	001011	001011	001011
11	• WIRE PKG (5) WIRES	1		004174	004174	004751	004751	004751
12	RELAY	1		217093	217093	217093	217093	217093
13	CAPACITOR & CLAMP ASM	1		006135	006135	006135	006135	006135
14	HOUSING, MTR & STR	1	1	004100	004100	004100	004993	004993
15	BEARING, SLEEVE	1		001012	001012	001012	001012	001012
16	• PLUG, TEST-WHITE	2		034090	034090	034090	034090	034090
17	• SEAL, THRU WALL TERM	3		003402	003402	003402	003402	003402
18	ROTOR & BRG	1		004101	004101	004101	004994	004994
19	• BEARING, RADIAL	1		001013	001013	001013	001013	001013
20	• SEAL, MTR HSG	1		001014	001014	001014	001014	001014
21	• OIL, DIELECTRIC	1		002383	002383	002383	002383	002383
22	ADAPTER-MACH	1		001003	001003	001003	001003	001003
23	• SEAL, SHAFT	1		002430	002430	002430	002430	002430
24	FLANGE PKG 2" NPT	1		10-1305	10-1305	10-1305	10-1305	10-1305
	FLANGE PKG 3" NPT	1		10-1306	10-1306	10-1306	10-1306	10-1306
25	IMPELLER "189"	1		004207	004207	004207	004207	004207
26	HOUSING, PUMP-MACH	1		004198	004198	004198	004188	004188
27	STRAINER PLATE	1		137008	137008	137008	137008	137008
28	• SCREW, .25-20 X .75 HHM-SS	4		001916	001916	001916	001916	001916
29	• SCREW, .313-18 X 1" HH CAP-SS	4		002608	002608	002608	002608	002608
30	SCREW, #10-24 X.375 RHM-SL SS	2		001883	001883	001883	001883	001883
31	• SEM, 10-24X.375HH-SL TC.688 WASH	2		002000	002000	002000	002000	002000
32	• SCREW, .5-13 X 2 HH CAP-SS	2		001909	001909	001909	001909	001909
33	• WASHER, SS-1.25" ODX.562"IDX.078	2		002115	002115	002115	002115	002115
34	• SCREW, #6-32X.25RHM SL TC STLGR	4		001877	001877	001877	001877	001877
35	• SCREW, .25-20X1" HHM-SS	4		007790	007790	007790	007790	007790
o	REBUILD KIT	1		004208	004584	004753	004753	004753

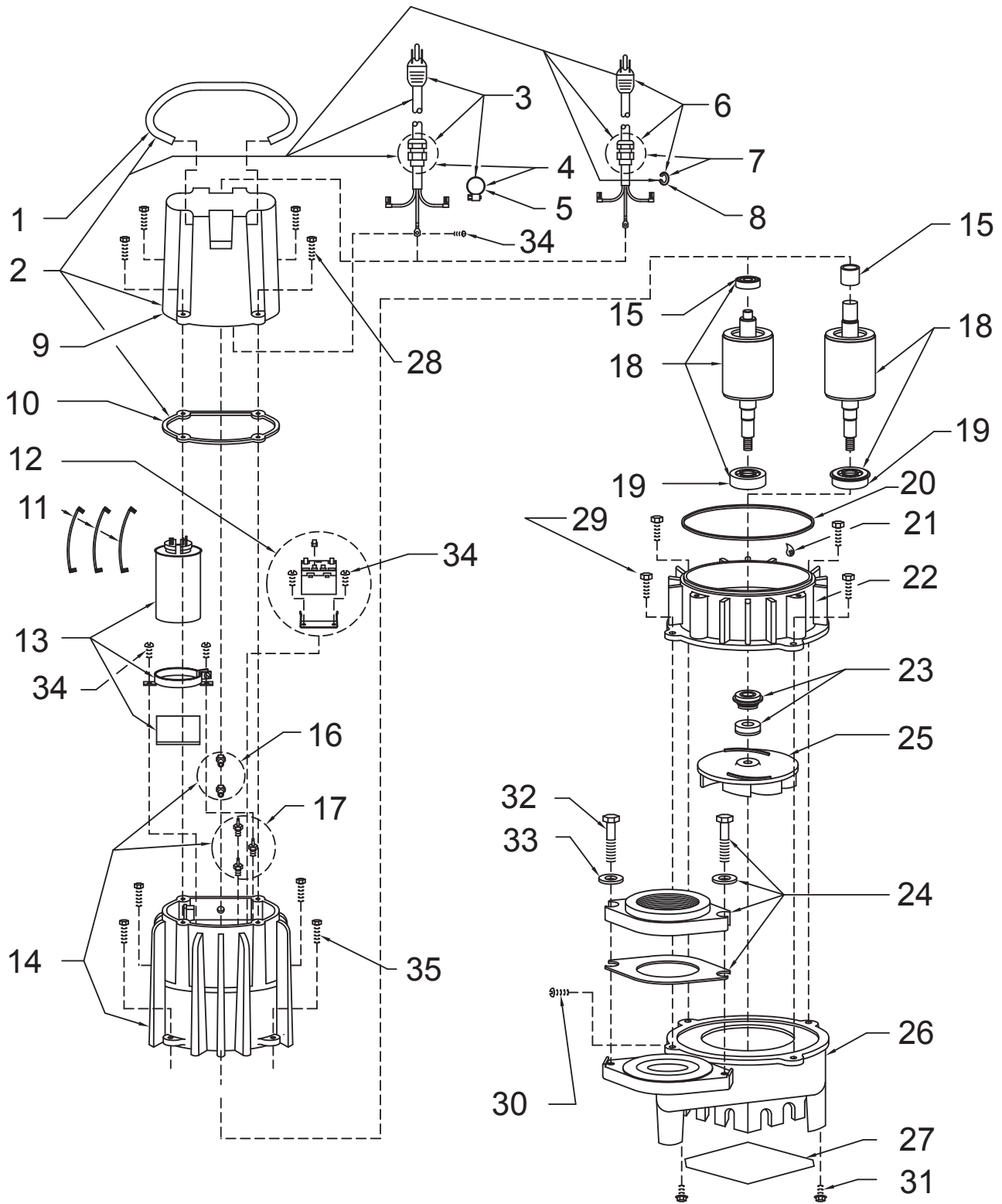
• Items included in Rebuild Kit.

o Not shown in illustration.

NOTES:

- 1) Mtr. Hsg., Brg., Stator & Term. (Item 14) is preassembled at the factory and must be replaced as a unit. Stator is permanently attached to the Motor Housing. Plug (Item 16); Seal, Thru Wall Term. (Item 17) and Bearing - Upper (Item 15) are replaceable.
- 2) If an "X" follows Model No., or Date Mfg. on brass ID tag, consult factory for ordering of this part.
- 3) See FM0160 Parts Price Sheet for listing of parts prices.
- 4) "NA" indicates, not applicable.

REPLACEMENT PARTS ILLUSTRATION FOR MODEL "XE189"



SK915

REPLACEMENT PARTS LIST FOR MODELS "WD189"

See page 8 for "WD189" illustration.

REF. NO.	DESCRIPTION	QTY	NOTES	MODELS: WD189-A		
				2/98 thru 4/03	5/03 thru 5/08	6/08 thru Current
1	• HANDLE	1		217069	217069	217069
2	COVER, CORD & SWITCH	1	2	011874	016113	016113
3	CORD TERM & SEAL	1	2	015353	016115	016115
4	FLOAT SWITCH, TERM & SEAL	1		011876	011876	011876
5	• SEAL, CORD-ASM & STR RLF	1		004375	015634	015634
6	• SEAL, FLOAT SWITCH CORD-ASM & STR RLF	1	2	094032	094032	094032
7	CONNECTOR, WIRENUT	1		011868	011868	011868
8	COVER-MACH & HANDLE ASM	1		011078	016105	016105
9	• GASKET, CASE/COVER	1		001011	001011	001011
10	• WIRE PKG (5) WIRES	1		004751	004751	004751
11	CAPACITOR & CLAMP ASM	1		006135	006135	006135
12	HOUSING, MTR & STR	1	1	004993	004993	019233
13	BEARING, UPPER SLEEVE	1		001012	001012	NA
	• BEARING, UPPER BALL			NA	NA	006703
14	• PLUG, TEST-WHITE	2		034090	034090	034090
15	• SEAL, THRU WALL TERM	3		003402	003402	003402
16	ROTOR & BRG	1		004994	004994	019225
17	• BEARING, RADIAL	1		001013	001013	010069
18	• SEAL, MTR HSG	1		001014	001014	001014
19	• OIL, DIELECTRIC	1		002383	002383	011066
20	ADAPTER-MACH	1		001003	001003	001003
21	• SEAL, SHAFT	1		002430	002430	002430
22	IMPELLER "189" BRONZE	1		004207	004207	004207
	IMPELLER "189" CAST IRON			NA	NA	157833
23	HOUSING, PUMP-MACH	1		004188	004188	004188
24	STRAINER PLATE	1		137008	137008	137008
25	FLANGE PKG 2" NPT	1		10-1305	10-1305	10-1305
	FLANGE PKG 3" NPT	1		10-1306	10-1306	10-1306
26	• SEM, 10-24X.375HH-SL TC.688 WASH	2		002000	002000	002000
27	• SCREW, .25-20 X .75 HHM-SS	4		001916	001916	001916
28	• SCREW, .313-18 X 1" HH CAP-SS	4		002608	002608	002608
29	• SCREW, .25-20X1" HHM-SS	4		007790	007790	007790
30	• SCREW, #6-32X.25RHM SL TC STLGR	3		001877	001877	001877
31	• WASHER, SS-1.25" ODX.562"IDX.078	2		002115	002115	002115
32	• SCREW, .5-13 X 2 HH CAP-SS	2		001909	001909	001909
33	• SCREW, #10-24 X.375 RHM-SL SS	1		001883	001883	001883
□	REBUILD KIT	1		011877	014193	019648

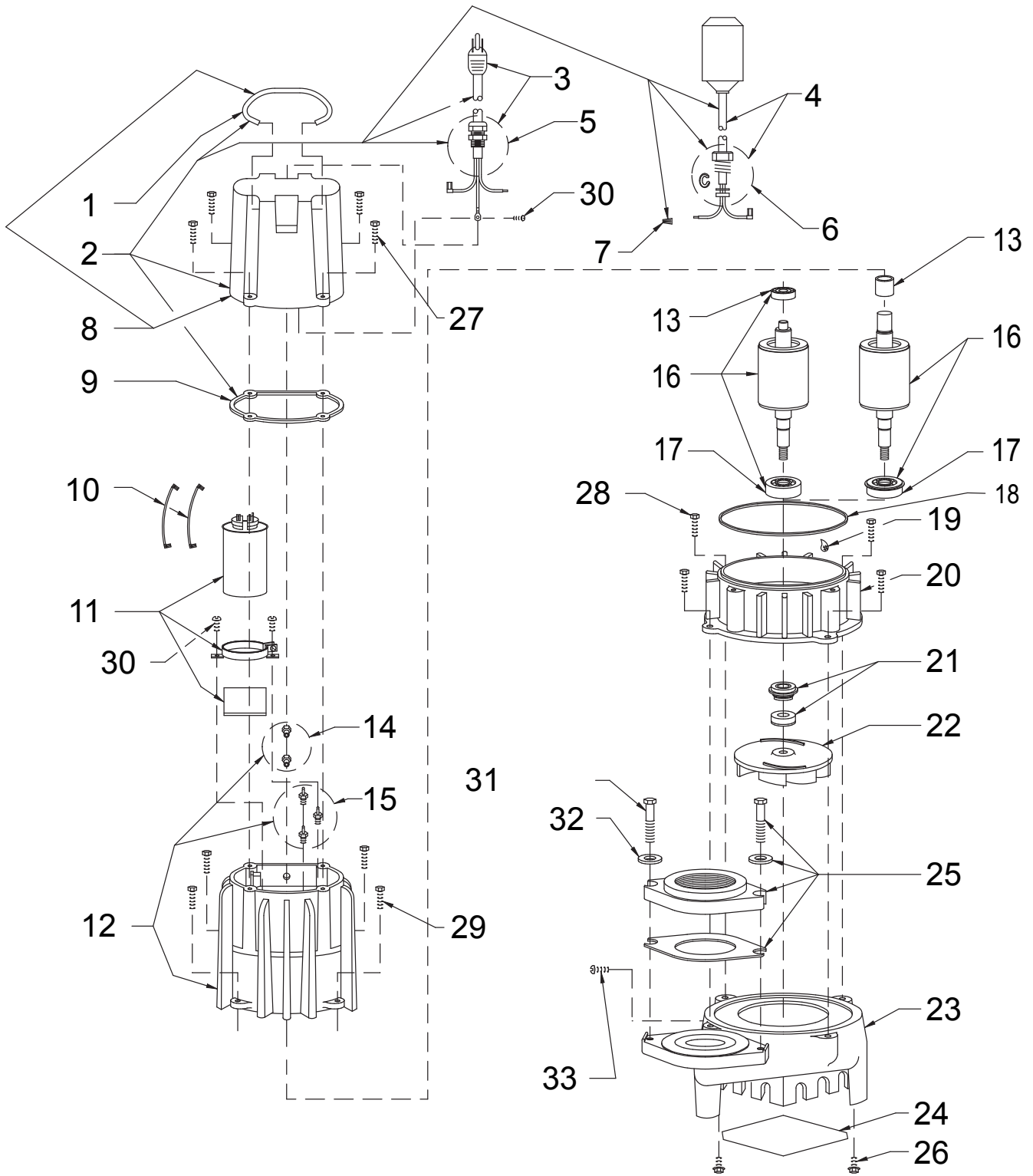
• Items included in Rebuild Kit.

□ Not shown in illustration.

NOTES:

- 1) Mtr. Hsg., Brg., Stator & Term. (Item 12) is preassembled at the factory and must be replaced as a unit. Stator is permanently attached to the Motor Housing. Plug (Item 14); Seal, Thru Wall Term. (Item 15) and Bearing - Upper (Item 13) are replaceable.
- 2) If an "X" follows Model No., or Date Mfg. on brass ID tag, consult factory for ordering of this part.
- 3) See FM0160 Parts Price Sheet for listing of parts prices.
- 4) "NA" indicates, not applicable.

REPLACEMENT PARTS ILLUSTRATION FOR MODEL "WD189"



SK1768