

Product information presented here reflects conditions at time of publication. Consult factory regarding discrepancies or inconsistencies.



MAIL TO: P.O. BOX 16347 • Louisville, KY 40256-0347
SHIP TO: 3649 Cane Run Road • Louisville, KY 40211-1961
TEL: (502) 778-2731 • 1 (800) 928-PUMP • **FAX:** (502) 774-3624

Visit our web site:
zoellerpumps.com

REPLACEMENT PARTS LIST FOR MODELS:

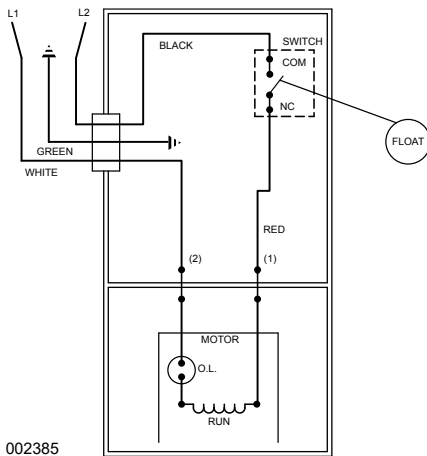
M59 AUTOMATIC 115V
D59 AUTOMATIC 230V
N59 NONAUTOMATIC 115V
E59 NONAUTOMATIC 230V

Consult factory for all other models.

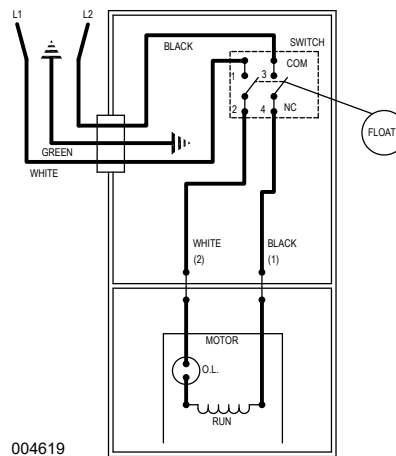
TO ORDER REPLACEMENT PARTS:

PLEASE FURNISH THE FOLLOWING INFORMATION:

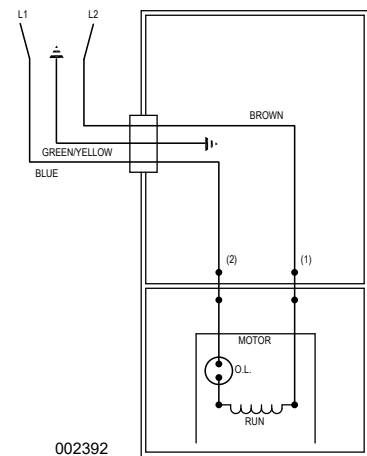
- Model Number.
- Part Number of Pump.
(If manufactured prior to June 1988, give 2 letter date code following Model No.)
- Part Number and Description of part.



WIRING DIAGRAM FOR MODELS
"M59-A" and "M59-B"
"D59-A" and "D59-B"
8/80 (UJ) thru 8/86 (US)



WIRING DIAGRAM FOR MODELS
"M59-C", "M59-D" and "M59-E"
"D59-C", "D59-D" and "D59-E"
9/86 (VS) thru Current



WIRING DIAGRAM FOR MODELS
"N59", "N59-A", "N59-B", "N59-C", "N59-D"
"E59", "E59-A", "E59-B", "E59-C", "E59-D"
8/80 (UJ) thru Current

REPLACEMENT PARTS LIST FOR MODELS "M59" and "D59".

See back page for "M59" and "D59" illustration

REF NO.	DESCRIPTION	QTY	NOTES	MODELS:					D59-A	D59-B	D59-C	D59-D	D59-E
				M59-A	M59-B	M59-C	M59-D	M59-E	8/80 UJ thru 12/80 YJ	1/81 MM thru 8/86 US	9/86 VS thru 8/87 UT	9/87 VT thru 6/92	7/92 thru Current
1	• Gasket,Case/Cover	1		034046	034046	034046	034046	034046	034046	034046	034046	034046	
2	• Clamp,Strain Relief-#2F	1		001770	001770	001770	001770	001770	001770	001770	001770	001770	
3	• Seal,Cord-Asm	1	1	054025	002326	004322	004322	004322	054025	002326	004322	004322	
4	Cord Term & Seal	1	1	054026	002321	004700	004700	004700	054057	002320	004707	004707	
5	Stator Regal-Beloit	1		054040	054040	054040	054040	007951	N/A	N/A	N/A	N/A	
6	• Screw,#8-32 X 2.563 RHPI-Stlbo	2		001914	001914	001914	001914	001914	001914	001914	001914	001914	
7	Rotor Asm Regal-Beloit	1		054032	054032	054032	054032	054032	054032	054032	054032	054032	
8	• Seal,Mtr Hsg	1		034007	034007	034007	034007	034007	034007	034007	034007	034007	
9	• Washer,Trst-Nyl.875X.504X.050"	1		002140	002140	002140	002140	002140	002140	002140	002140	002140	
10	Bearing, Sleeve-Lower Rotor	1		054024	054024	054024	054024	054024	054024	054024	054024	054024	
11	• Oil,Dielectric-(19 Oz Can)	1		002588	002588	002588	002588	002588	002588	002588	002588	002588	
12	Housing,Pump-Mach	1		059005	059005	059005	059005	059005	059005	059005	059005	059005	
13	• Seal Asm,Shaft-Blister Pak	1		267027	267027	267027	267027	267027	267027	267027	267027	267027	
14	Impeller Br "59"	1		059001	059001	059001	059001	059001	059001	059001	059001	059001	
15	Base Asm Br	1		059009	059009	059009	059009	059009	059009	059009	059009	059009	
16	Plate,Strainer-Plastic	1	1	001082	001082	001082	N/A	N/A	001082	001082	001082	N/A	
17	Case Handle & Arm Asm "50"	1		056092	056092	004714	004714	004714	056093	056093	004714	004714	
18	Case & Switch "50"	1	1,5	056051	056051	004711	004711	004711	056053	056053	004711	004711	
19	• Plug,Test-White	2		034090	034090	034090	034090	034090	034090	034090	034090	034090	
20	• Arm & Seal Asm "50"	1	1	054080	004704	004704	004704	004704	054080	004704	004704	004704	
21	Guard "97"	1	1	034016	034016	004645	004645	004645	034016	034016	004645	004645	
22	Switch Asm "50"	1	1	034061	034061	004705	004705	004705	034061	034061	004705	004705	
□	Wire Asm-F-P(1)Wire Rs2.25"Lg	1		002231	002231	N/A	N/A	N/A	002231	002231	N/A	N/A	
23	• Seal,Thru Wall Term	2		003402	003402	003402	003402	003402	003402	003402	003402	003402	
24	Housing,Mtr-Brg&Term Br "50"	1		059008	002517	004713	004713	004713	059008	002517	004713	004713	
25	Bearing,Upper Rotor	1		034052	034052	034052	034052	034052	034052	034052	034052	034052	
26	Float-Polypropylene	1		034019	034019	034019	034019	034019	034019	034019	034019	034019	
27	Rod Asm,Fit	1		054062	054062	054062	054062	054062	054062	054062	054062	054062	
28	Guide Asm,Fit Rod	1		034086	034086	034086	034086	034086	034086	034086	034086	034086	
29	• Screw,#10-24 X.75 RHM-SI SS	12		001885	001885	001885	001885	001885	001885	001885	001885	001885	
30	• Screw,#6-32x.438RHsltp"1"Stlzi	3		001877	001877	001877	001877	001877	001877	001877	001877	001877	
31	• Screw,#6-32x.25RHM SI Tc Stlgr	2		001877	001877	004644	004644	004644	001877	001877	004644	004644	
32	• SSem,10-24x.375HH-SI Tc.688Wash	3		002000	002000	002000	002000	002000	002000	002000	002000	002000	
□	Rebuild Kit "59"	1		057059	057059	004716	004716	004716	057059	057059	004716	004716	

• Items included in Rebuild Kit.

□ Not Shown in Illustration.

NOTES:

- 1) To insure proper replacement, customer must identify if switch is a General Electric switch.
- 2) See FM0160 Parts Price Sheet for listing of parts prices.
- 3) "NA" indicates, not applicable.
- 4) If an "X" follows Model No., or Date Mfg. on brass ID tag, consult factory for ordering any parts.
- 5) For pumps with date code prior to 9/86, the replacement case & switch will have a new style switch.

REPLACEMENT PARTS LIST FOR MODELS "N59" and "E59".

See back page for "N59" and "E59" illustration.

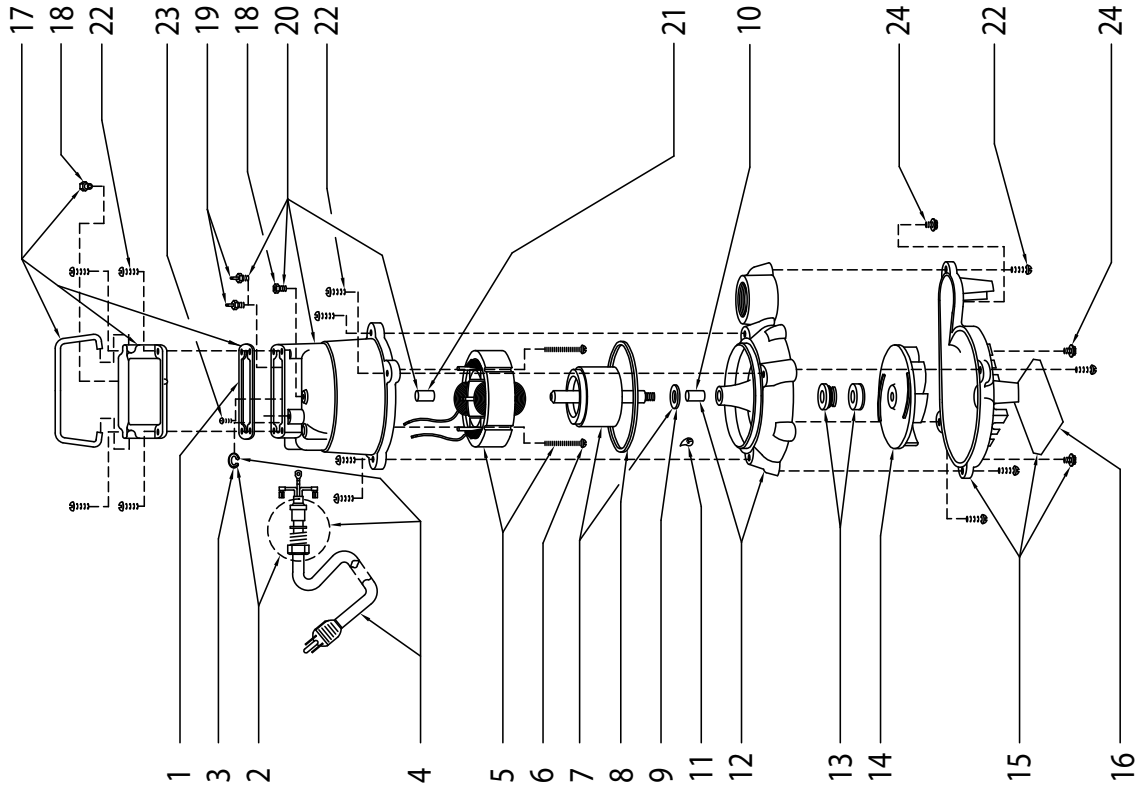
MODELS:				N59	N59-A	N59-B	N59-C	N59-D	E59	E59-A	E59-B	E59-C	E59-D
REF NO.	DESCRIPTION	QTY	NOTES	8/80 UJ thru 12/80 YJ	1/81 MM thru 8/86 US	9/86 VS thru 8/87 UT	9/87 VT thru 6/92	7/92 thru Current	8/80 UJ thru 12/80 YJ	1/81 MM thru 8/86 US	9/86 VS thru 8/87 UT	9/87 VT thru 6/92	7/92 thru Current
1	• Gasket,Case/Cover	1		034046	034046	034046	034046	034046	034046	034046	034046	034046	034046
2	• Seal,Cord-Asm	1		054025	002326	004322	004322	004322	054025	002326	004322	004322	004322
3	• Clamp,Strain Relief-#2F	1		001770	001770	001770	001770	001770	001770	001770	001770	001770	001770
4	Cord Term & Seal	1		054069	002319	004708	004708	004708	054069	002319	004708	004708	004708
5	Stator Regal-Beloit	1		054040	054040	054040	054040	007951	054050	N/A	N/A	N/A	007952
6	• Screw,#8-32 X 2.563 RHPI-Stlbo	2		001914	001914	001914	001914	001914	001914	001914	001914	001914	001914
7	Rotor Asm Regal-Beloit	1		054032	054032	054032	054032	054032	054032	054032	054032	054032	054032
8	• Seal,Mtr Hsg	1		034007	034007	034007	034007	034007	034007	034007	034007	034007	034007
9	• Washer,Trst-Nyl.875X.504X.050"	1		002140	002140	002140	002140	002140	002140	002140	002140	002140	002140
10	Bearing,Sleeve-Lower Rotor	1		054024	054024	054024	054024	054024	054024	054024	054024	054024	054024
11	• Oil,Dielectric-(19 Oz Can)	1		002588	002588	002588	002588	002588	002588	002588	002588	002588	002588
12	Housing,Pump-&Brg Mach Br	1		059005	059005	059005	059005	059005	059005	059005	059005	059005	059005
13	• Seal Asm,Shaft-Blister Pak	1		267027	267027	267027	267027	267027	267027	267027	267027	267027	267027
14	Impeller Br "59"	1		059001	059001	059001	059001	059001	059001	059001	059001	059001	059001
15	Base Asm Br	1		059009	059009	059009	059009	059009	059009	059009	059009	059009	059009
16	Plate,Strainer-Plastic	1		001082	001082	001082	NA	NA	001082	001082	001082	NA	NA
17	Cover & Handle Br "50"	1		036067	036067	036067	036067	036067	036097	036097	036097	036097	036097
18	• Plug,Test-White	2		034090	034090	034090	034090	034090	034090	034090	034090	034090	034090
19	• Seal,Thru Wall Term	2		003402	003402	003402	003402	003402	003402	003402	003402	003402	003402
20	Housing,Mtr-Brg&Term Br "50"	1		059008	002517	004713	004713	004713	059008	002517	004713	004713	004713
21	Bearing,Upper Rotor	1		034052	034052	034052	034052	034052	034052	034052	034052	034052	034052
22	• Screw,#10-24 X.75 RHM-SI SS	12		001885	001885	001885	001885	001885	001885	001885	001885	001885	001885
23	• Screw,#6-32x.25RHM SI Tc Stlgr	1		001877	001877	001877	001877	001877	001877	001877	001877	001877	001877
24	• Sem,10-24x.375HH-SI Tc.688Wash	3		002000	002000	002000	002000	002000	002000	002000	002000	002000	002000
□	Rebuild Kit	1		057059	057059	004716	004716	004716	057059	057059	004716	004716	004716

- Items included in Rebuild Kit.
- Not Shown in Illustration

NOTES:

- 1) See FM0160 Parts Price Sheet for listing of parts prices.
- 2) "NA" indicates, not applicable.
- 3) If an "X" follows Model No., or Date Mfg. on brass ID tag, consult factory for ordering any parts.

REPLACEMENT PARTS ILLUSTRATION FOR MODELS "N59" AND "E59"



REPLACEMENT PARTS ILLUSTRATION FOR MODELS "M59" AND "D59"

