

Product information presented here reflects conditions at time of publication. Consult factory regarding discrepancies or inconsistencies.

MAIL TO: P.O. BOX 16347 • Louisville, KY 40256-0347
SHIP TO: 3649 Cane Run Road • Louisville, KY 40211-1961
Tel: (502) 778-2731 • 1 (800) 928-PUMP

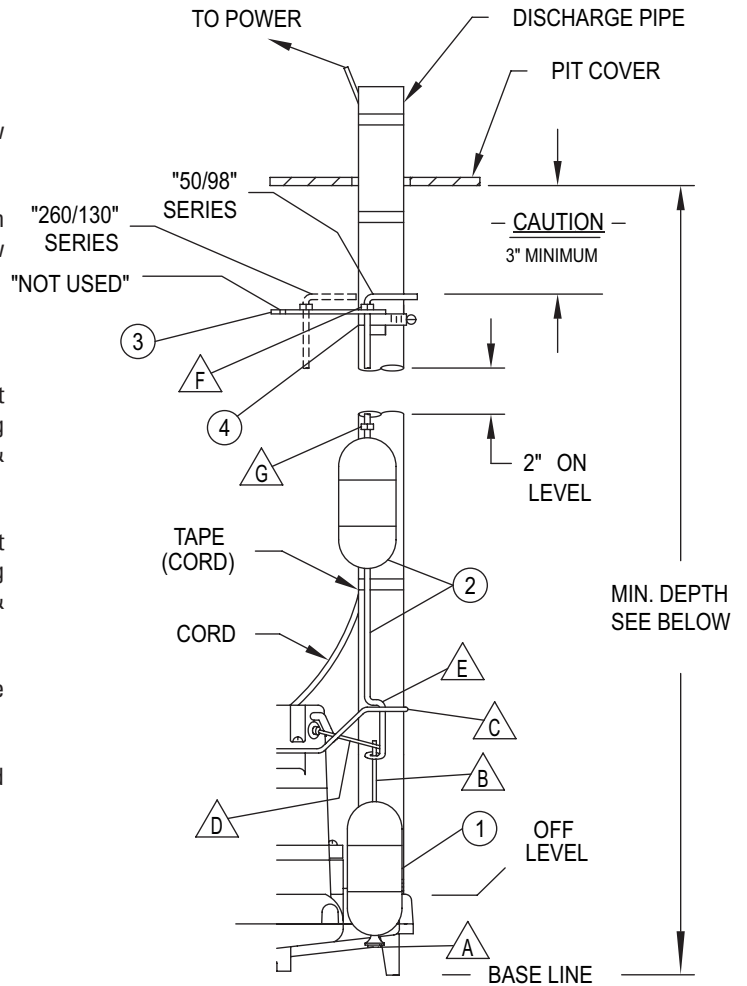
Visit our website:
zoellerpumps.com

10-0001 ADJUSTABLE LONG CYCLE KIT FOR 50, 90, 137, 139 & 260 SERIES AUTOMATIC PUMPS DEWATERING OR EFFLUENT APPLICATIONS ONLY

⚠ WARNING DO NOT SHORTEN UPPER FLOAT ROD.
DO NOT USE LONG CYCLE KIT WITH 260 SERIES IN
SEWAGE APPLICATIONS.

ASSEMBLY INSTRUCTIONS

1. Place hose clamp (4) on pipe before inserting pipe in pump or unscrew hose clamp and place around pipe, leaving clamp loose.
2. Lay pump on its side. Note how clip and/or screw guide, and then remove float & float rod (B) from pump by removing clip and screw on rubber guide (A).
3. Refasten rubber guide to float.
4. Remove stop (F) from upper float & rod assembly. Put upper bracket (3) on upper float & rod assembly (2) as shown, indicate hole being used by pump "SERIES". Replace stop (F) as shown on upper float & rod assembly.
5. Remove stop (F) from upper float & rod assembly. Put upper bracket (3) on upper float & rod assembly (2) as shown, indicate hole being used by pump "SERIES". Replace stop (F) as shown on upper float & rod assembly.
6. Tape or clamp the power cord to the opposite side of the discharge pipe from the floats, as shown.
7. Install pump in place and position stop (G) on upper float & rod assembly (2) for desired "On" point.



SK1910

Pump Series	Min. Pit Depth	Max. On Point	Min. Off Point	Min. On Point
50 Series	43"	35"	3"	14-1/2"
98	43"	35"	3"	17"
130 Series	45"	36"	3"	17"
260 Series	45"	36"	4"	18-1/2"

Note: Modification of basin cover may be required if basin is not of adequate depth.

Parts List		
Item No.	Description	
(1) 034019	Float - Long Cycle	
(2) 054076	Upper Float and Rod Assembly	
(3) 054077	Upper Bracket	
(4) 001766	#36 Hose Clamp	
(5) 054064	Brass stops are covered in the BOM of P/N 054076 - ASM	