

High Head Flow-Mate Series 160 /4160 Series

Commercial Sump and Effluent Pump

Effluent or de-watering submersible pump for septic systems, low pressure pipe (LPP) and enhanced flow STEP systems.

Features:

- Durable, cast iron constructed switch case, base, motor and pump housing
- Impeller - bronze class 85- 5-5-5
- No screens to clog
- Automatic units available with float-operated, submersible, 2-pole mechanical switch
- Models 4161, 4163, 4165 double seal pumps available (60 Hz, non-automatic only)
- 1 year limited warranty
- cCSAus certification to UL 778 and CSA 108
- * Available in explosion & Dust-Ignition Proof for Hazardous Locations. (See FM 3407)

100% factory tested



Trusted. Tested. Tough.®

zoellerpumps.com 800-928-7867
3649 Cane Run Road, Louisville, KY 40211 USA

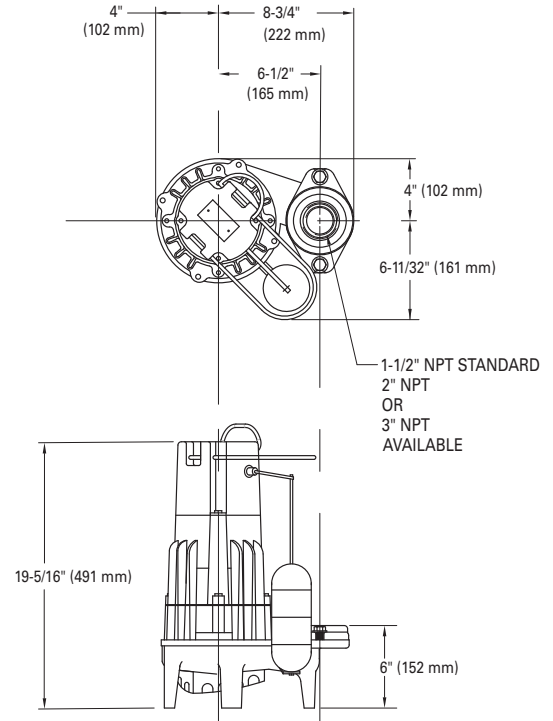
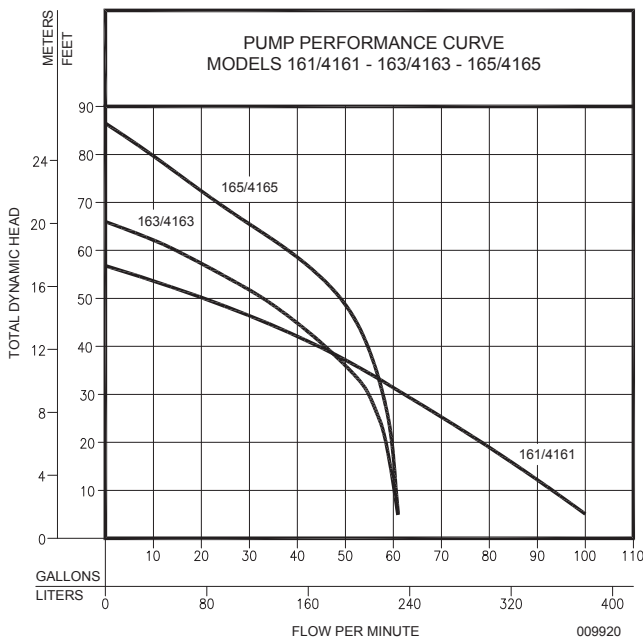
FM3406
1221
Supersedes
New

High Head Flow-Mate Series 160 /4160 Series

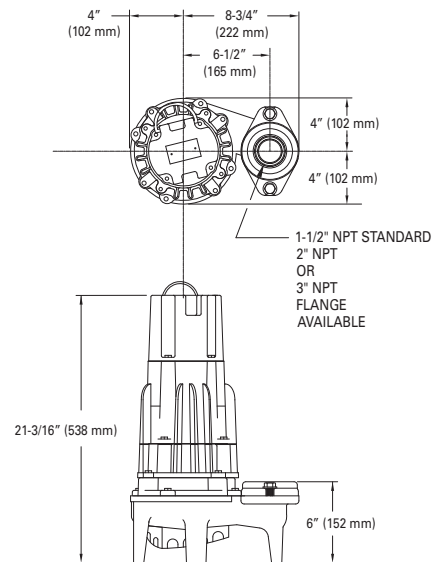
| | | |
|------------------|---------------------------------|---|
| MOTOR | Horse Power | 1/2 (161/4161, 163/4163) or 1 (165/4165) |
| | Voltage | 115 - 575 |
| | Phase | 1 or 3 Ph |
| | Hertz | 60 Hz |
| | RPM | 3450 |
| | Type | Permanent split capacitor or 3 Ph |
| | Insulation | Class B |
| PUMP | Amps | 2.4 - 15.5 |
| | Operation | Automatic or nonautomatic |
| | Auto On/Off Points | 15-3/4" (400 mm) / 5-1/4" (133 mm) |
| | Discharge Size | 1-1/2" NPT (optional 2" or 3" flange) |
| | Solids Handling | 3/4" (19 mm) spherical solids |
| | Cord Length | 20' (6 m) standard |
| | Cord Type | 1 Ph: UL listed 3-wire neoprene cord and plug or 3 Ph: 4-wire with no plug |
| | Max. Head | 86.5' (26 m) |
| | Max. Flow Rate | 100 GPM (379 LPM) |
| | Max. Operating Temp. | 130 °F (54 °C) |
| | Cooling | Oil filled |
| | Motor Protection | Auto reset thermal overload (1 Ph) |
| | MATERIALS | Upper Bearing |
| Lower Bearing | | Ball bearing |
| Mechanical Seals | | Carbon and ceramic |
| Impeller Type | | Non-clogging vortex |
| Impeller | | Bronze |
| Hardware | | Stainless steel |
| Motor Shaft | | SAE 1117 carbon steel or 416 stainless steel* |
| Gasket | Neoprene square ring and gasket | |

* no molded plug (1) cCSAs approved unit available with 20 Amp plug. (2) CSA approved unit with 15 Amp plug.

Additional cords lengths are available in 25' (8 m), 35' (11 m), and 50' (15 m).



Single Seal



Double Seal