

Notice to Installer: Instructions must remain with installation.

Trusted. Tested. Tough.™

Product information presented here reflects conditions at time of publication. Consult factory regarding discrepancies or inconsistencies.



FM2367
0917
Supersedes
0715

MAIL TO: P.O. BOX 16347 • Louisville, KY 40256-0347
SHIP TO: 3649 Cane Run Road • Louisville, KY 40211-1961
TEL: (502) 778-2731 • 1 (800) 928-PUMP • FAX: (502) 774-3624

Visit our web site:
zoellerpumps.com



OIL SMART® PUMP SWITCH INSTALLATION INSTRUCTIONS



WARNING

1. All installations must be in accordance with the National Electrical Code, and any other applicable state and local electrical requirements.
2. **Do not remove ground pin.** Severe electrical shock could occur.
3. Check with local codes for proper installation.



WARNING

1. The switch and pump are not rated for explosive environments. This product is intended for hydraulic oils only.

Installation Instructions for 1-1/2" pipe.

1. Review figures 1,2,3 and 4.
2. Attach Oil Smart® Pump Switch to Quick Mount Bracket using #10 screws and nuts provided (See Figure 1).
3. Snap bracket onto discharge pipe or float tree pipe (See Figure 1).
4. Locate pump switch sensor rod at shut-off height 2" above the pump (See Figure 3 or 4).
5. Place hose clamp on pipe under quick mount bracket (See Figure 1) for reference location of the pump switch.
6. For easy maintenance, just snap bracket off and back on using the hose clamp as a guide.
7. Mount pump switch clear of inlet water and at least 1" to 2" from any metallic material.

Installation Instructions other than 1-1/2" pipe.

1. Use the universal PVC bracket and clamp provided.
2. Insert hose clamp through top of bracket. (see figure 2)
3. Mount Oil Smart® Pump Switch to universal bracket using # 10 screws and nuts provided.
4. Attach Oil Smart® Pump Switch with "off" rod 2" above the top of the pump (See Figure 3 or 4).
7. Mount pump switch clear of inlet water and at least 1" to 2" from any metallic material.

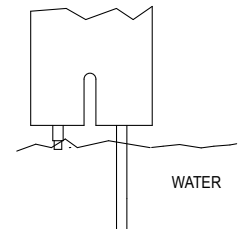
Installation instructions for mounting to basin wall.

Reference FM2364 or FM2104.

Operation

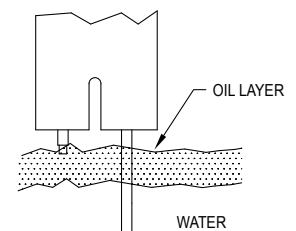
Normal Condition (Water Only)

The short sensor probe turns the pump "on" and the long sensor probe turns the pump "off". When the short sensor is in contact with water, the pump will continue to cycle "on and "off" until the short sensor detects oil.



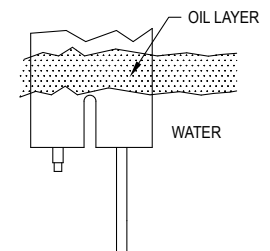
Oil Present Condition

The pump will not cycle if oil is in contact with the short sensor.



High Water (Oil Present Condition)

If additional water enters into the basin it will cause the oil layer to raise above the short sensor resulting in the pump cycling.



SK2568

Maintenance

Plastic switch case and stainless sensor leads must be kept clean, free of corrosion, mud, and soap. Clean switches as often as environmental conditions dictate with household isopropyl alcohol. Do NOT use oil-based solvents such as silicone lubricant, penetrating oil, etc. or soap solutions.

FIGURE 1 Mounting for 1-1/2" Pipe.

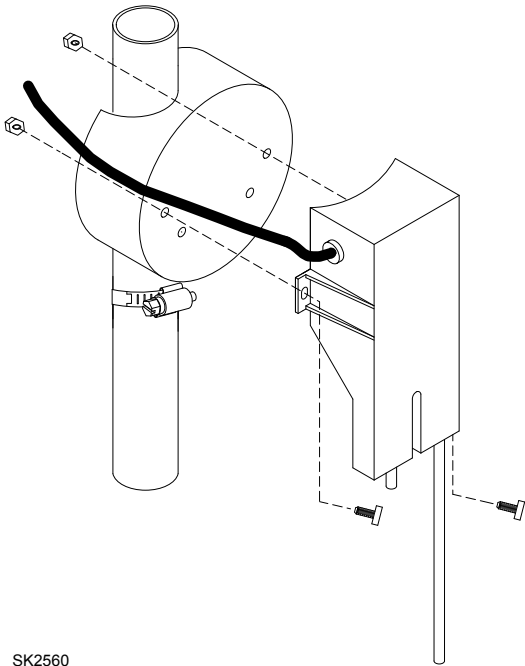


FIGURE 2 Mounting for Other Than 1-1/2" Pipe.

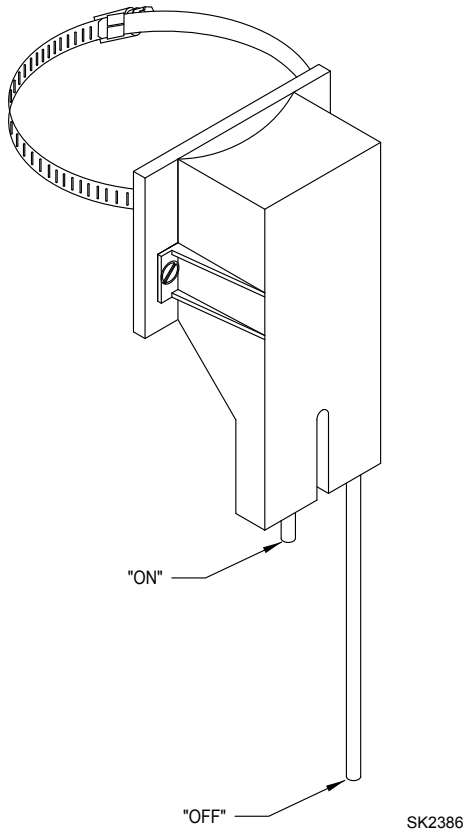


FIGURE 3 Typical Installation of Oil Smart® Pump Switch and Alarm Panel.

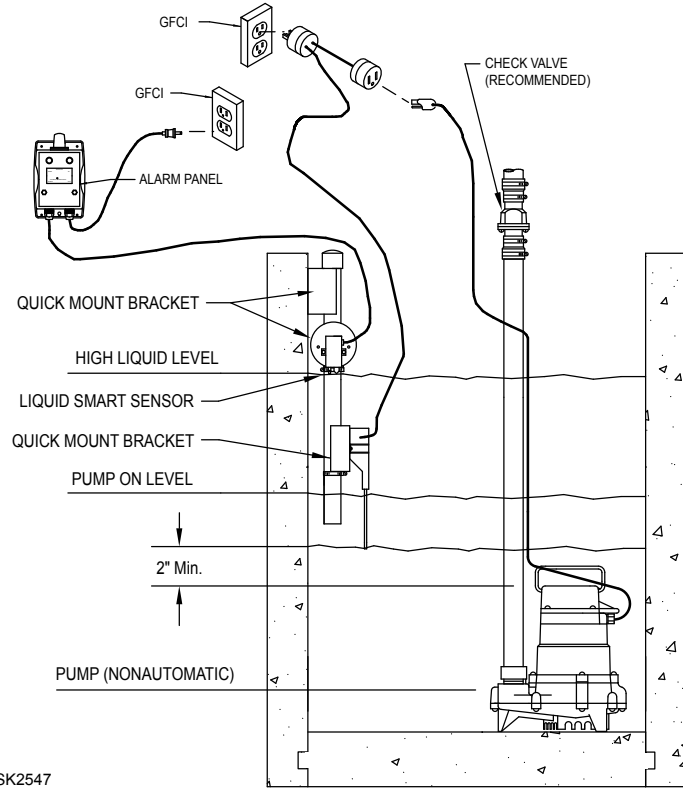
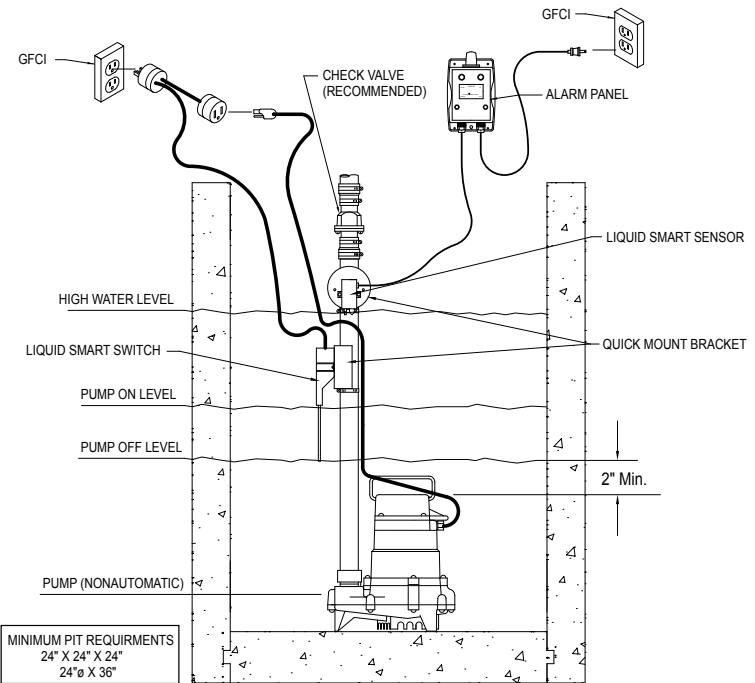


FIGURE 4 Typical Installation of Oil Smart® Pump Switch and Alarm Panel.



MAIL TO: P.O. BOX 16347 • Louisville, KY 40256-0347
SHIP TO: 3649 Cane Run Road • Louisville, KY 40211-1961
(502) 778-2731 • 1 (800) 928-PUMP • FAX (502) 774-3624

Trusted. Tested. Tough.™

Visit our web site:
zoellerpumps.com