

Product information presented here reflects conditions at time of publication. Consult factory regarding discrepancies or inconsistencies.



MAIL TO: P.O. BOX 16347 • Louisville, KY 40256-0347
SHIP TO: 3649 Cane Run Road • Louisville, KY 40211-1961
TEL: (502) 778-2731 • 1 (800) 928-PUMP • FAX: (502) 774-3624

Visit our website:
zoellerpumps.com

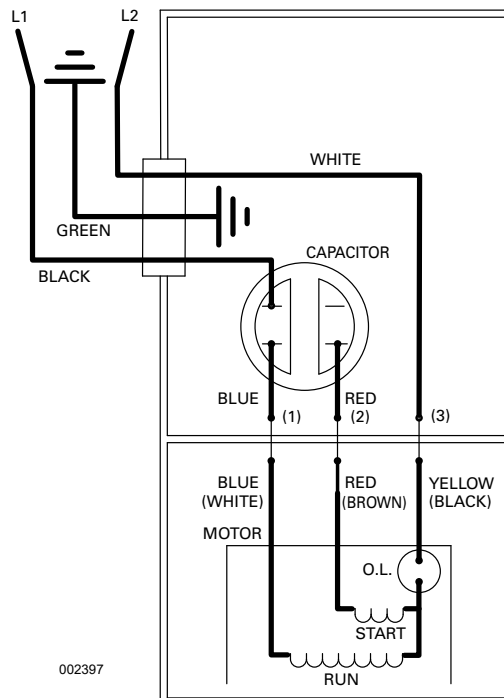
REPLACEMENT PARTS LIST FOR MODELS: PERMANENT SPLIT CAPACITOR MOTOR DESIGN BN2137 NONAUTOMATIC W/PIGGYBACK FLOAT SWITCH 115V BE2137 NONAUTOMATIC W/PIGGYBACK FLOAT SWITCH 230V

Consult factory for all other models

TO ORDER REPLACEMENT PARTS:

PLEASE FURNISH THE FOLLOWING INFORMATION:

- Model Number.
- Part Number of Pump.
- Part Number and Description of part.



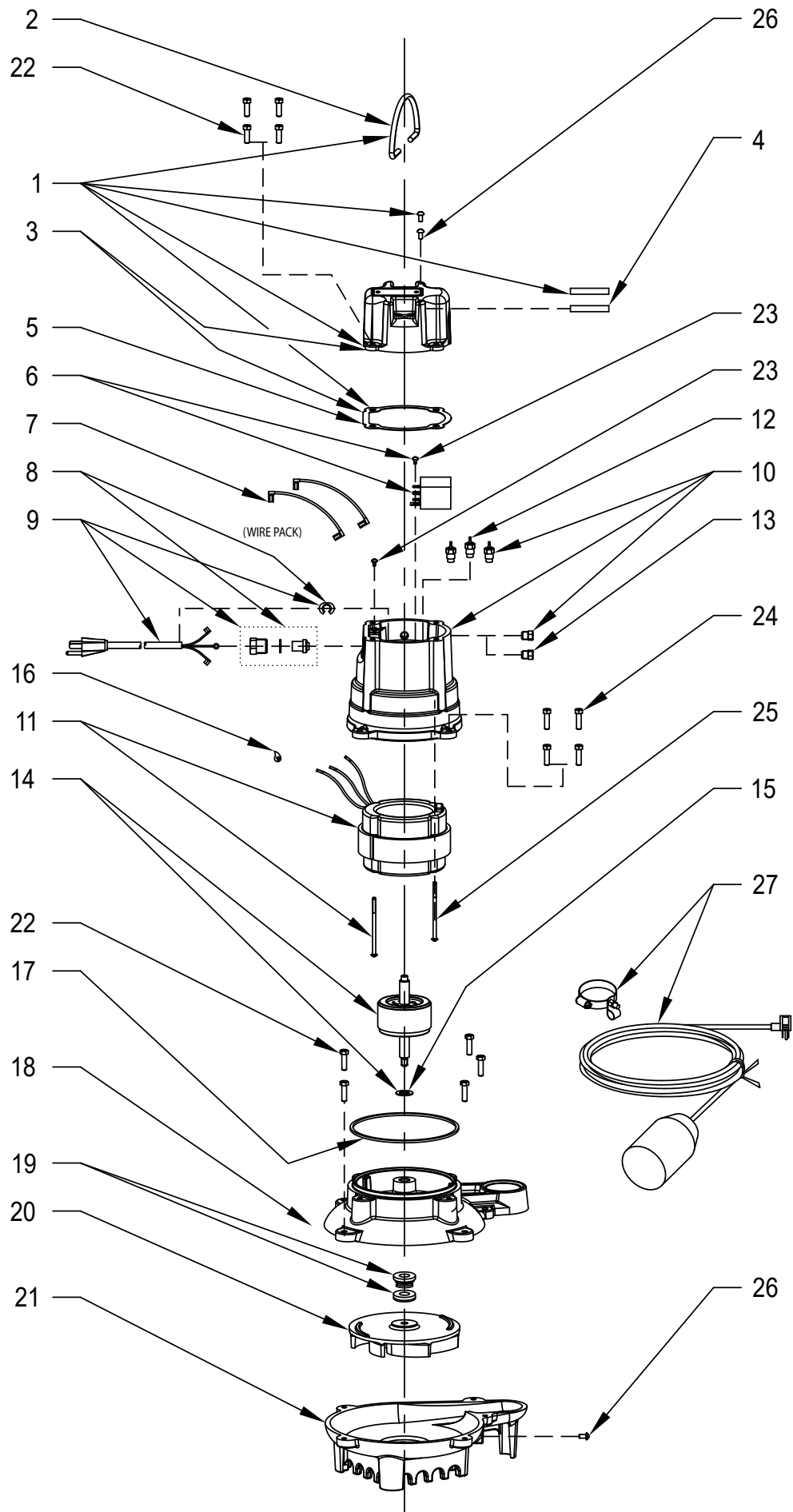
WIRING DIAGRAM FOR MODELS
"BN2137-A" and "BE2137-A"
02/01 thru Current

REPLACEMENT PARTS LIST FOR MODELS “BN2137-C” and “BE2137-B”

REF. NO.	DESCRIPTIONS	QTY	KIT	NOTES	MODELS:	
					BN2137-C	BE2137-B
					05/18 THRU CURRENT	01/19 THRU CURRENT
1	COVER ASSEMBLY	1			267051	267051
2	HANDLE	1	*		267032	267032
3	COVER MACH. & GASKET	1			267052	267052
4	RETAINER	2	*		267053	267053
5	GASKET - CASE/COVER	1	*		267007	267007
6	CAPACITOR ASSEMBLY	1			155782	155782
7	WIRE PACKAGE	1	*		155783	155783
8	CORD SEAL AND STRAIN RELIEF ASSEMBLY	1	*	4	155784	155784
9	CORD ASSEMBLY	1			155785	155962
10	MOTOR HOUSING ASSEMBLY	1			155786	155786
11	STATOR WITH SCREWS	1			156087	156088
12	THRU WALL TERMINALS	3	*		003402	003402
13	TEST PLUGS	2	*		034090	034090
14	ROTOR ASSEMBLY	1			155788	155788
15	THRUST WASHER	1	*		002140	002140
16	DIELECTRIC OIL	1	*		006064	006064
17	MOTOR HOUSING SEAL	1	*		267006	267006
18	PUMP HOUSING - MACH.	1			137004	137004
19	SHAFT SEAL ASSEMBLY	1	*		005095	005095
20	IMPELLER	1			137006	137006
21	BASE	1			001509	001509
22	SCREW - CASE & BASE (1/4-20 X 3/4" LONG)	9	*		001916	001916
23	SCREW - GROUND & CAPACITOR (#6-32 X 1/4" LONG)	1	*		001877	001877
24	SCREW - MOTOR HOUSING (1/4-20 X 7/8" LONG)	4	*		012491	012491
25	SCREW - STATOR (#8-32 X 3 1/16" LONG)	2	*		154768	154768
26	SCREW - GUARD & RETAINERS/GUIDE (#10-24 X 3/8" LONG)	3	*		001883	001883
27	FLOAT SWITCH	1			014733	014774
□	REBUILD KIT	1			156089	156089

Service part notes:

- 1) If an “X” follows Model No., or Date Mfg. on ID tag, consult factory for ordering any parts.
- 2) See FM0160 Parts Price Sheet for listing of parts prices.
- 3) “NA” indicates, not applicable.
- 4) Strain relief clamp is not sold separately, must order cord seal assembly.



SK3233

REPLACEMENT PARTS LIST

FOR MODELS:

SPLIT PHASE MOTOR DESIGN

BN2137 NONAUTOMATIC W/PIGGYBACK FLOAT SWITCH 115V

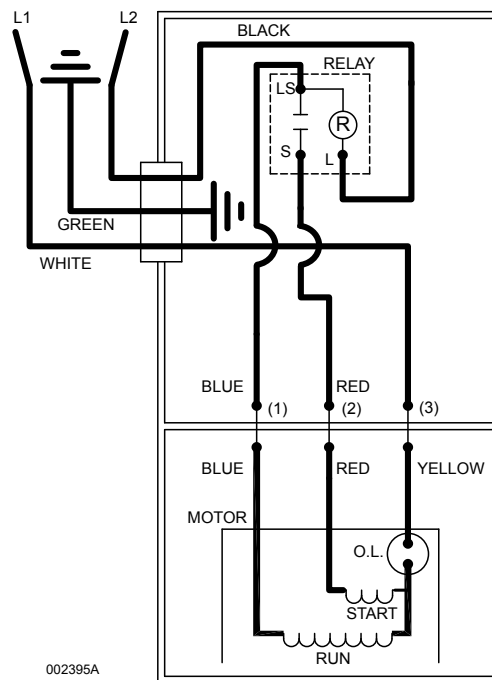
BE2137 NONAUTOMATIC W/PIGGYBACK FLOAT SWITCH 230V

Consult factory for all other models

TO ORDER REPLACEMENT PARTS:

PLEASE FURNISH THE FOLLOWING INFORMATION:

- Model Number.
- Part Number of Pump.
- Part Number and Description of part.

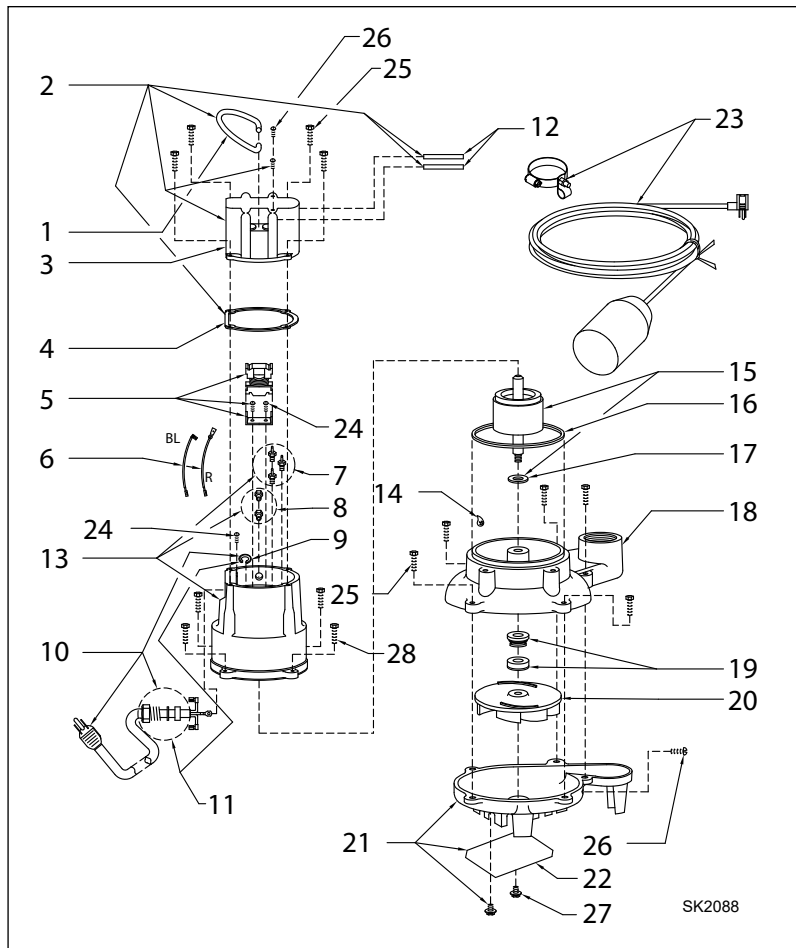


WIRING DIAGRAM FOR MODELS
"BN2137-A&B" and "BE2137-A"

REPLACEMENT PARTS LIST FOR MODELS "BN2137" and "BE2137"

REF. NO.	DESCRIPTIONS	QTY	NOTES	MODELS:		BE2137- A	
				BN2137-A & B		12/00 THRU 04/18	12/00 THRU 12/18
1	• HANDLE	1				267032	267032
2	COVER & HANDLE ASM	1				267051	267051
3	COVER- MACH	1				267052	267052
4	• GASKET, COVER	1				267007	267007
5	RELAY ASM	1				002474	002474
6	• WIRE PKG (2) WIRES	1				267014	267014
7	• SEAL, THRU WALL TERM	3				003402	003402
8	• PLUG-TEST	2				013095	013095
9	• CLAMP, STRAIN RELIEF	1				001770	001770
10	CORD, TERM & SEAL	1				014046	014046
11	• SEAL, CORD-ASM& STRAIN RELIEF	1				004721	004721
12	RETAINER- HANDLE	2				267053	267053
13	HOUSING, MTR & STR- GE	1				014052	014052
14	• OIL, DIELECTRIC(HI- TEMP)	1				006064	006064
15	ROTOR ASM-GE	1				267005	267005
16	• SEAL, MTR-HSG	1				267006	267006
17	• WASHER- THRUST	1				002140	002140
18	HOUSING PUMP- MACH	1				137004	137004
19	• SEAL, ASM- SHAFT	1				005095	005095
20	IMPELLER	1				137006	137006
21	BASE & PLATE ASM	1				137020	137020
22	STRAINER- PLATE	1				137008	137008
23	FLOAT SWITCH	1				014773	014774
24	• SCREW, GROUND #6-32	3				001877	001877
25	• SCREW, 1/4-20 SS	9				001916	001916
26	• SCREW, #10-24 SS	3				001883	001883
27	• SEM- SCR SS	2				002000	002000
28	• SCREW, 1/4-20 SS	4				012491	012491
□	REBUILD KIT	1				014060	014060

• Items included in Rebuild Kit. □ Not Shown in Illustration. SS Not sold separately.



NOTES:

1. See FM0160 Parts Price Sheet for listing of parts prices.
2. "NA" indicates, not applicable.
3. If an "X" follows Model No., or Date Mfg. on ID tag, consult factory for ordering of this part.



MAIL TO: P.O. BOX 16347 • Louisville, KY 40256-0347
SHIP TO: 3649 Cane Run Road • Louisville, KY 40211-1961
(502) 778-2731 • 1 (800) 928-PUMP • FAX (502) 774-3624

Trusted. Tested. Tough.®
© Copyright 2020 Zoeller® Co. All rights reserved.

Visit our website:
zoellerpumps.com