

Product information presented here reflects conditions at time of publication. Consult factory regarding discrepancies or inconsistencies.



MAIL TO: P.O. BOX 16347 • Louisville, KY 40256-0347
SHIP TO: 3649 Cane Run Road • Louisville, KY 40211-1961
TEL: (502) 778-2731 • 1 (800) 928-PUMP • FAX: (502) 774-3624

Visit our website:
zoellerpumps.com

REPLACEMENT PARTS LIST FOR MODELS:

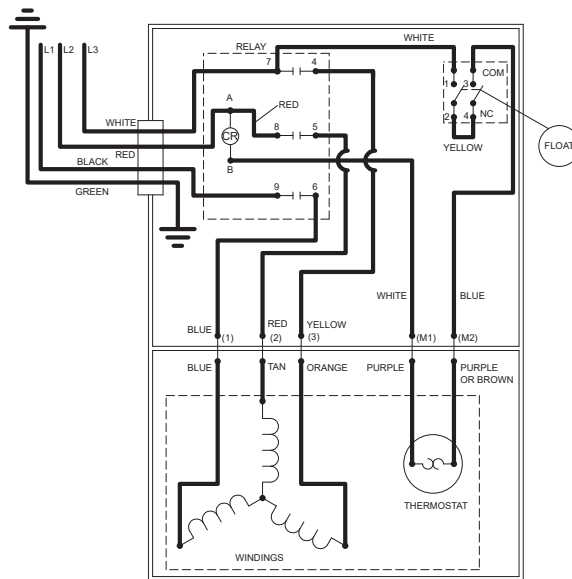
CF282 3PH AUTOMATIC 230V

Consult factory for all other models

TO ORDER REPLACEMENT PARTS:

PLEASE FURNISH THE FOLLOWING INFORMATION

- Model Number.
- Part Number of Pump.
- Part Number and Description of part.



013071

WIRING DIAGRAM FOR MODELS
"CF282-A"
2/00 thru Current

REPLACEMENT PARTS LIST FOR MODEL: "CF282"

See next page for illustration.

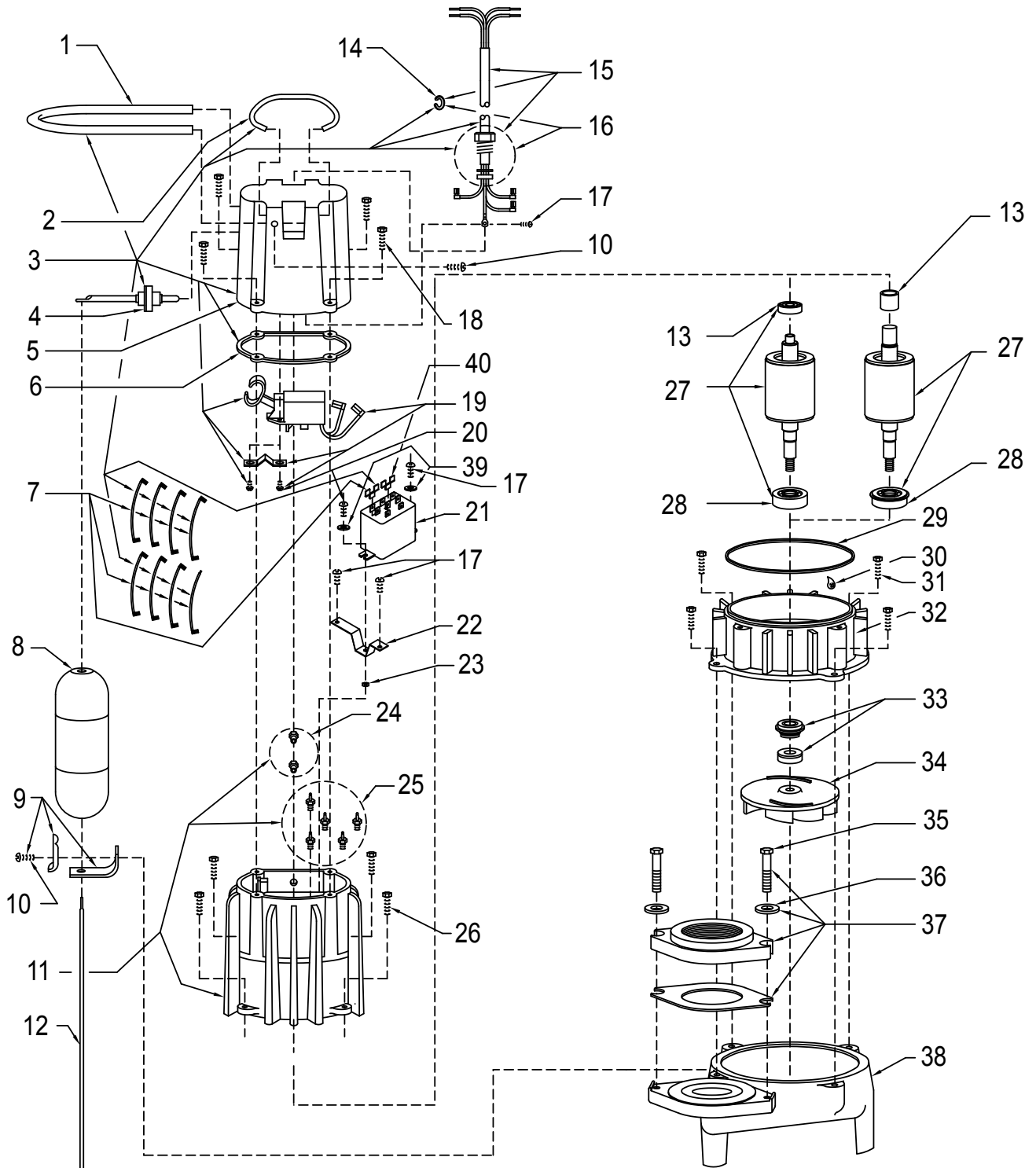
REF NO.	DESCRIPTION	QTY	NOTES	MODELS:	
				CF282-A	CF282-B
				02/00 thru 5/10	6/10 thru Current
1	• GUARD	1		001023	001023
2	HANDLE	1		217069	217069
3	CASE SWITCH & CD/230V/1PH"282"	1	2	013211	013211
4	• ARM & SEAL ASM "160/180/290"	1		004745	004745
5	CASE-MACH "160/180/280/290"	1	2	004614	004614
6	• GASKET, CASE/COVER	1		001011	001011
7	• WIRE PKG WIRES	1		013212	013212
8	FLOAT, PLASTIC	1		094039	094039
9	GUIDE ASM, FLT ROD	1		094048	094048
10	• SCREW, #10-24 X .375 RHM-SISS	2		001883	001883
11	HOUSING, MTR.-&STR "282" GE	1	1	013213	150991
12	ROD, ASM, FLT	1		001043	150438
13	BEARING, SLEEVE	1		001012	N/A
	BEARING, RADIAL			N/A	006703
14	• CLAMP, STRAIN RELIEF-RED	1		001770	001770
15	CORD TERM AND SEAL ASM 230V/3PH	1	2	013962	013962
16	• SEAL, CORD-ASM & STRAIN RELIEF	1	2	094032	094032
17	• SCREW, #6-32 X .25 RHM SI TC STLGR	4		001877	001877
18	• SCREW, .25-20 X .75 HHM-SS	4		001916	001916
19	SWITCH ASM "1670/180/290"	1		013214	013214
20	• SCREW, #6-32 X .438 RHSLTP "1" STLZI	2		004644	004644
21	RELAY 230/3PH	1		013069	013069
22	BRACKET, RELAY	1		013070	013070
23	• NUT, #6-32	1		006120	006120
24	• PLUG, TEST-WHITE	2		034090	034090
25	• SEAL, THRU WALL TERM	5		003402	003402
26	• SCREW, .25-20 X 1" RHM-SI TC STLGR	4		007790	007790
27	ROTOR & BRG	1		009495	150875
28	• BEARING, LOWER ROTOR	1		010069	010069
29	• SEAL, MTR HSG	1		001014	001014
30	• OIL, DIELECTRIC - (44 OZ CAN)	1		003168	011066
31	• SCREW, .313-18 X 1" HH CAP-SS	4		002608	002608
32	ADAPTER-MACH "280"	1		001003	001003
33	• SEAL, SHAFT "282", "284"	1		002430	002430
34	IMPELLER "282"	1		007063	007063
35	• SCREW, .5-13 X 2 HH CAP-SS	2		001909	001909
36	• WASHER, SS-1.25" OD X .562" ID X .078	2		002115	002115
37	FLANGE PKG 2" NPT	1		10-1305	10-1305
	FLANGE PKG 3" NPT			10-1306	10-1306
38	HOUSING, PUMP-MACH	1		217012	217012
39	WASHER, STL-.375" OD X .150" ID X .032	2		002117	002117
40	TERMINAL, ADAPTER (1 FEMX (2) MAIL F.	1		014210	014210
□	REBUILD KIT "280"	1		013215	150990

- Items included in Rebuild Kit.
- Not Shown in Illustration.

Notes:

- 1) Mtr. Hsg., Brg., Stator & Term. (Item 11) are preassembled at the factor and must be replaced as a unit. Stator is permanently attached to the motor Housing. Plug (Item 24); Seal, thru wall term. (Item 25) and Bearing- upper (Item 13) are replaceable.
- 2) If an "X" follows Model No., or Date Mfg. on brass ID tag, consult factor for ordering any parts.
- 3) See FM0160 Parts Price Sheet for listing of parts prices.
- 4) "NA" indicates, not applicable.

REPLACEMENT PARTS ILLUSTRATION FOR MODEL: "CF282"



NOTES:



MAIL TO: P.O. BOX 16347 • Louisville, KY 40256-0347
SHIP TO: 3649 Cane Run Road • Louisville, KY 40211-1961
(502) 778-2731 • 1 (800) 928-PUMP • FAX (502) 774-3624

Trusted. Tested. Tough.®

Visit our website:
zoellerpumps.com