

Product information presented here reflects conditions at time of publication. Consult factory regarding discrepancies or inconsistencies.



MAIL TO: P.O. BOX 16347 • Louisville, KY 40256-0347
 SHIP TO: 3649 Cane Run Road • Louisville, KY 40211-1961
 TEL: (502) 778-2731 • 1 (800) 928-PUMP • FAX: (502) 774-3624

Visit our website:
 zoellerpumps.com

REPLACEMENT PARTS LIST FOR MODELS:

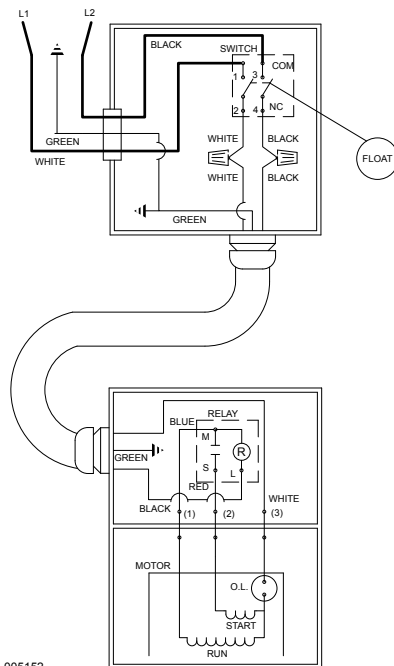
M3139 AUTOMATIC 115V
 N3139 NONAUTOMATIC 115V
 D3139 AUTOMATIC 230V
 E3139 NONAUTOMATIC 230V

Consult factory for all other models

TO ORDER REPLACEMENT PARTS:

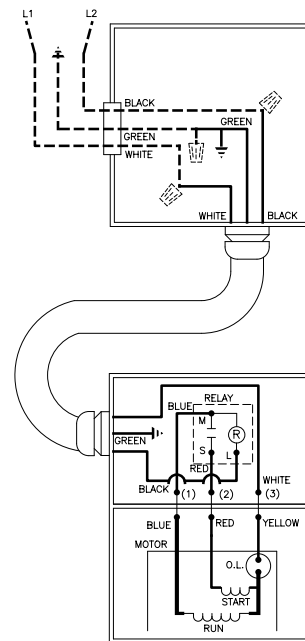
PLEASE FURNISH THE FOLLOWING INFORMATION:

- Model Number.
- Part Number of Pump.
 (If manufactured prior to June 1988, give 2 letter date code following Model No.)
- Part Number and Description of part.



005152

WIRING DIAGRAM FOR MODELS
 "M3139" All Revisions and "D3139" All Revisions
 10/87 (WT) to Current



005236

WIRING DIAGRAM FOR MODELS
 "N3139" All Revisions and "E3139" All Revisions
 10/87 (WT) thru Current

REPLACEMENT PARTS LIST FOR MODELS "M3139" & "D3139"

See back page for illustrations.

| REF. NO. | DESCRIPTION | QTY | NOTES | MODELS: M3139-A | | | | | MODELS: M3139-B | | | | | MODELS: M3139-C | | | | | MODELS: M3139-D | | | | | MODELS: M3139-E | | | | |
|----------|-----------------------------------|-----|-------|--------------------|----------------|----------------|-----------------|-----------------|--------------------|----------------|-----------------|-----------------|--------------------|-----------------|-----------------|-----------------|--------------------|----------------|-----------------|-----------------|--|--|--|-----------------|--|--|--|--|
| | | | | 10/87 WT thru 2/90 | 3/90 thru 3/92 | 4/92 thru 9/94 | 10/94 thru 9/01 | 10/01 thru 4/19 | 10/87 WT thru 3/92 | 4/92 thru 9/94 | 10/94 thru 9/01 | 10/01 thru 4/19 | 10/87 WT thru 3/92 | 4/92 thru 9/94 | 10/94 thru 9/01 | 10/01 thru 4/19 | 10/87 WT thru 3/92 | 4/92 thru 9/94 | 10/94 thru 9/01 | 10/01 thru 4/19 | | | | | | | | |
| 1 | • Handle | 1 | | 267032 | 267032 | 267032 | 267032 | 267032 | | 267032 | 267032 | 267032 | 267032 | 267032 | | 267032 | 267032 | 267032 | 267032 | | | | | | | | | |
| 2 | Cover & Handle | 1 | | 005364 | 005364 | 005364 | 009649 | 009649 | | 005364 | 005364 | 009649 | 009649 | | 005364 | 005364 | 009649 | 009649 | | | | | | | | | | |
| 3 | Retainer, Handle | 1 | | 267053 | 267053 | 267053 | 267053 | 267053 | | 267053 | 267053 | 267053 | 267053 | | 267053 | 267053 | 267053 | 267053 | | | | | | | | | | |
| 4 | • Gasket, Case or Cover | 1 | | 267007 | 267007 | 267007 | 267007 | 014555 | | 267007 | 267007 | 267007 | 014555 | | 267007 | 267007 | 267007 | 014555 | | | | | | | | | | |
| 5 | Relay Asm | 1 | | 002474 | 002474 | 002474 | 002474 | 002474 | | 147135 | 147135 | 147135 | 147135 | | 147135 | 147135 | 147135 | 147135 | | | | | | | | | | |
| 6 | • Wire Pkg. (BL & R) | 1 | | 267014 | 267014 | 267014 | 267014 | 267014 | | 267014 | 267014 | 267014 | 267014 | | 267014 | 267014 | 267014 | 267014 | | | | | | | | | | |
| 7 | • Seal, Thru Wall Term | 3 | | 003402 | 003402 | 003402 | 003402 | 003402 | | 003402 | 003402 | 003402 | 003402 | | 003402 | 003402 | 003402 | 003402 | | | | | | | | | | |
| 8 | • Plug | 3 | | 034051 | 034051 | 034051 | 034051 | 034051 | | 034051 | 034051 | 034051 | 034051 | | 034051 | 034051 | 034051 | 034051 | | | | | | | | | | |
| 9 | Mtr. Hsg, Brg, Stator & Term-GE | 1 | 3,4 | 005358 | 005358 | 005358 | 005358 | 005358 | | 005359 | 005359 | 005359 | 005359 | | 005359 | 005359 | 005359 | 005359 | | | | | | | | | | |
| | Mtr. Hsg, Brg, Stator & Term-Emer | 1 | 3,4 | 005358 | 005358 | 006143 | 006143 | 006143 | | 005359 | 006144 | 006144 | 006144 | | 005359 | 006144 | 006144 | 006144 | | | | | | | | | | |
| 10 | Bearing, Upper Rotor | 1 | | 034052 | 034052 | N/A | N/A | N/A | | 034052 | N/A | N/A | N/A | | 034052 | N/A | N/A | N/A | | | | | | | | | | |
| 11 | Rotor (115V/230V)-GE | 1 | | 267005 | 267005 | 267005 | 267005 | 267005 | | 267005 | 267005 | 267005 | 267005 | | 267005 | 267005 | 267005 | 267005 | | | | | | | | | | |
| | Rotor (115V/230V)-Emerson | 1 | | 267005 | 267005 | 004021 | 004021 | 004021 | | 267005 | 004021 | 004021 | 004021 | | 267005 | 004021 | 004021 | 004021 | | | | | | | | | | |
| 12 | • Washer, Thrust | 1 | | 002140 | 002140 | 002140 | 002140 | 002140 | | 002140 | 002140 | 002140 | 002140 | | 002140 | 002140 | 002140 | 002140 | | | | | | | | | | |
| 13 | • Seal, Mtr Hsg. | 1 | | 267006 | 267006 | 267006 | 267006 | 014256 | | 267006 | 267006 | 267006 | 014256 | | 267006 | 267006 | 267006 | 014256 | | | | | | | | | | |
| 14 | • Oil, Dielectric | 1 | 7 | 267056 | 060664 | 060664 | 060664 | 060664 | | 267056 | 060664 | 060664 | 060664 | | 267056 | 060664 | 060664 | 060664 | | | | | | | | | | |
| 15 | Bearing, Lower | 1 | | 054024 | 054024 | N/A | N/A | N/A | | 054024 | N/A | N/A | N/A | | 054024 | N/A | N/A | N/A | | | | | | | | | | |
| 16 | Pump Housing | 1 | | 139018 | 139018 | 139018 | 139018 | 139018 | | 139018 | 139018 | 139018 | 139018 | | 139018 | 139018 | 139018 | 139018 | | | | | | | | | | |
| 17 | • Seal, Shaft | 1 | | 005095 | 005095 | 005095 | 005095 | 014554 | | 005095 | 005095 | 005095 | 014554 | | 005095 | 005095 | 005095 | 014554 | | | | | | | | | | |
| 18 | Impeller | 1 | | 139006 | 139006 | 139006 | 139006 | 139006 | | 139006 | 139006 | 139006 | 139006 | | 139006 | 139006 | 139006 | 139006 | | | | | | | | | | |
| 19 | Base & Plate Asm | 1 | | 139002 | 139002 | 139002 | 139002 | 139002 | | 139002 | 139002 | 139002 | 139002 | | 139002 | 139002 | 139002 | 139002 | | | | | | | | | | |
| 20 | Strainer Plate | 1 | | 137008 | 137008 | 137008 | 137008 | 137008 | | 137008 | 137008 | 137008 | 137008 | | 137008 | 137008 | 137008 | 137008 | | | | | | | | | | |
| 21 | Case Handle & Arm | 1 | 6 | 004714 | 004714 | 007088 | 007088 | 007088 | | 007088 | 007088 | 007088 | 007088 | | 007088 | 007088 | 007088 | 007088 | | | | | | | | | | |
| 22 | Guard | 1 | | 004645 | 004645 | 267008 | 267008 | 267008 | | 267008 | 267008 | 267008 | 267008 | | 267008 | 267008 | 267008 | 267008 | | | | | | | | | | |
| 23 | • Arm & Seal | 1 | | 004704 | 004704 | 004704 | 004704 | 004704 | | 004741 | 004741 | 004741 | 004741 | | 004741 | 004741 | 004741 | 004741 | | | | | | | | | | |
| 24 | Case & Switch | 1 | | 005349 | 005349 | 007802 | 007802 | 007802 | | 007802 | 007802 | 007802 | 007802 | | 007802 | 007802 | 007802 | 007802 | | | | | | | | | | |
| 25 | Switch Asm | 1 | | 005350 | 005350 | 005350 | 005350 | 005350 | | 005350 | 005350 | 005350 | 005350 | | 005350 | 005350 | 005350 | 005350 | | | | | | | | | | |
| 26 | Housing, Switch Case | 1 | | 004907 | 004907 | 006836 | 009453 | 009453 | | 006836 | 006836 | 009453 | 009453 | | 006836 | 006836 | 009453 | 009453 | | | | | | | | | | |
| 27 | Float | 1 | | 034019 | 034019 | 034019 | 034019 | 034019 | | 034019 | 034019 | 034019 | 034019 | | 034019 | 034019 | 034019 | 034019 | | | | | | | | | | |
| 28 | Float Rod Asm | 1 | | 005352 | 005352 | 005352 | 005352 | 005352 | | 005352 | 005352 | 005352 | 005352 | | 005352 | 005352 | 005352 | 005352 | | | | | | | | | | |
| 29 | Float-Mach | 1 | | 004912 | 004912 | 004912 | 004912 | 004912 | | 004912 | 004912 | 004912 | 004912 | | 004912 | 004912 | 004912 | 004912 | | | | | | | | | | |
| 30 | Cord Term & Seal | 1 | 1 | 005348 | 005348 | 005348 | 005348 | 005348 | | 005369 | 005369 | 005369 | 005348 | | 005369 | 005369 | 005348 | 005348 | | | | | | | | | | |
| 31 | Strain Relief | 1 | 1 | 001770 | 001770 | 001770 | 001770 | 001770 | | 001770 | 001770 | 001770 | 001770 | | 001770 | 001770 | 001770 | 001770 | | | | | | | | | | |
| 32 | Seal Asm & Strain Relief | 1 | 1 | 004721 | 004721 | 004721 | 004721 | 004721 | | 004721 | 004721 | 004721 | 004721 | | 004721 | 004721 | 004721 | 004721 | | | | | | | | | | |
| 33 | • Seal Asm, Conduit | 2 | 1 | 018077 | 018077 | 018077 | 009643 | 009643 | | 018077 | 018077 | 009643 | 009643 | | 018077 | 018077 | 009643 | 009643 | | | | | | | | | | |
| 34 | • Gasket, Case or Cover | 1 | | 034046 | 034046 | 267007 | 267007 | 014555 | | 034046 | 267007 | 267007 | 014555 | | 034046 | 267007 | 267007 | 014555 | | | | | | | | | | |
| 35 | Cordage Conduit & Seals | 1 | | 018082 | 018082 | 018082 | 009646 | 009646 | | 018082 | 018082 | 009646 | 009646 | | 018082 | 018082 | 009646 | 009646 | | | | | | | | | | |
| 36 | Conduit 3' | 1 | | 005167 | 005167 | 005167 | 005167 | 005167 | | 005167 | 005167 | 005167 | 005167 | | 005167 | 005167 | 005167 | 005167 | | | | | | | | | | |
| 37 | Cordage & Terms | 1 | | 005351 | 005351 | 005351 | 005351 | 005351 | | 005351 | 005351 | 005351 | 005351 | | 005351 | 005351 | 005351 | 005351 | | | | | | | | | | |
| 38 | • Wirenut Connector | 2 | | 001776 | 001776 | 001776 | 001776 | 001776 | | 001776 | 001776 | 001776 | 001776 | | 001776 | 001776 | 001776 | 001776 | | | | | | | | | | |
| 39 | Clamp, #36 Worm | 1 | | 001766 | 001766 | 001766 | 001766 | 001766 | | 001766 | 001766 | 001766 | 001766 | | 001766 | 001766 | 001766 | 001766 | | | | | | | | | | |
| 40 | • Screw, .25-20 x .75 HHM-SS | 13 | | 001916 | 001916 | 001916 | 001916 | 001916 | | 001916 | 001916 | 001916 | 001916 | | 001916 | 001916 | 001916 | 001916 | | | | | | | | | | |
| 41 | • Screw, #10-24 x .375 RHM-SS | 5 | | 001883 | 001883 | 001883 | 001883 | 001883 | | 001883 | 001883 | 001883 | 001883 | | 001883 | 001883 | 001883 | 001883 | | | | | | | | | | |
| 42 | • Screw, #6-32 x .25 RHM SL STLGR | 2 | | 001877 | 001877 | 001877 | 001877 | 001877 | | 001877 | 001877 | 001877 | 001877 | | 001877 | 001877 | 001877 | 001877 | | | | | | | | | | |
| 43 | • Sem, #10-24 x .375 HH-SL TC | 2 | | 002000 | 002000 | 002000 | 002000 | 002000 | | 002000 | 002000 | 002000 | 002000 | | 002000 | 002000 | 002000 | 002000 | | | | | | | | | | |
| 44 | • Screw, #6-32 x .375 RH SL STLZI | 2 | | 004644 | 004644 | 004644 | 004644 | 004644 | | 004644 | 004644 | 004644 | 004644 | | 004644 | 004644 | 004644 | 004644 | | | | | | | | | | |
| 45 | Screw, #1/4-20 x .875 | 4 | | 012491 | 012491 | 012491 | 012491 | 012491 | | 012491 | 012491 | 012491 | 012491 | | 012491 | 012491 | 012491 | 012491 | | | | | | | | | | |
| □ | Rebuild Kit | 1 | | 018089 | 018089 | 018089 | 018087 | 018087 | | 018089 | 018089 | 018087 | 018087 | | 018089 | 018089 | 018087 | 018087 | | | | | | | | | | |

• Items included in Rebuild Kit. □ Not shown in illustration.

NOTES:

- 1) Strain Relief (Item 31) can be purchased separately, but is included with Cord, Terminal & Seal Assembly (Item 30) and with Seal, Cord Assembly (Item 32 and 33).
- 2) Mtr. Hsg., Brg., Stator & Term. (Item 9) are preassembled at the factory and must be replaced as a unit. Stator is permanently attached to the Motor Housing. Plug (Item 8); Seal, Thru Wall Term. (Item 7) and Bearing - Upper (Item 10) are replaceable).
- 3) When ordering Motor Housing, Bearing, Stator and Term. (Item 9) or Rotor (Item 11) specify either GE or Emerson motor. GE motor can be identified by (4) holes spaced at 90° around the outside diameter of the stator. Emerson motor can be identified by (4) flat edges spaced at 90° around the outside diameter of the stator.
- 4) See FM0160 Parts Price Sheet for listing of parts prices.
- 5) "NA" indicates, not applicable.
- 6) If an "X" follows Model No., or Date Mfg. on brass ID tag, consult factory for ordering any parts.
- 7) When ordering Dielectric Oil (Item 14) for 115V Revision "A" pumps only, relay (Item 5) must be ordered.

REPLACEMENT PARTS LIST FOR MODELS "N3139" & "E3139"

See back page for illustrations.

| REF. NO. | DESCRIPTION | QTY | NOTES | MODELS: N3139-A | | | | | MODELS: E3139-A | | | | |
|----------|-----------------------------------|-----|-------|--------------------|----------------|----------------|-----------------|-----------------|--------------------|----------------|-----------------|-----------------|--|
| | | | | 10/87 WT thru 2/90 | 3/90 thru 3/92 | 4/92 thru 9/94 | 10/94 thru 9/01 | 10/01 thru 4/19 | 10/87 WT thru 4/92 | 5/92 thru 9/94 | 10/94 thru 9/01 | 10/01 thru 4/19 | |
| 1 | • Handle | 2 | | 267032 | 267032 | 267032 | 267032 | 267032 | 267032 | 267032 | 267032 | 267032 | |
| 2 | Cover & Handle | 1 | | 005364 | 005364 | 005364 | 009649 | 009649 | 005364 | 005364 | 009649 | 009649 | |
| 3 | Retainer, Handle | 4 | | 267053 | 267053 | 267053 | 267053 | 267053 | 267053 | 267053 | 267053 | 267053 | |
| 4 | • Gasket, Case or Cover | 1 | | 267007 | 267007 | 267007 | 267007 | 014555 | 267007 | 267007 | 267007 | 014555 | |
| 5 | Relay Asm | 1 | | 002474 | 002474 | 002474 | 002474 | 002474 | 147135 | 147135 | 002474 | 002474 | |
| 6 | • Wire Pkg. (BL & R) | 1 | | 267014 | 267014 | 267014 | 267014 | 267014 | 267014 | 267014 | 267014 | 267014 | |
| 7 | • Seal, Thru Wall Term | 3 | | 003402 | 003402 | 003402 | 003402 | 003402 | 003402 | 003402 | 003402 | 003402 | |
| 8 | • Plug | 2 | | 034051 | 034051 | 034051 | 034051 | 034051 | 034051 | 034051 | 034051 | 034051 | |
| 9 | Mtr. Hsg, Brg, Stator & Term-GE | 1 | 3,4 | 005358 | 005358 | 005358 | 005358 | 005358 | 005359 | 005359 | 005359 | 005359 | |
| | Mtr. Hsg, Brg, Stator & Term-Emer | 1 | 3,4 | 005358 | 005358 | 006143 | 006143 | 006143 | 005359 | 006144 | 006143 | 006143 | |
| 10 | Bearing, Upper Rotor | 1 | | 034052 | 034052 | N/A | N/A | N/A | 034052 | 034052 | N/A | N/A | |
| 11 | Rotor (115V/230V)-GE | 1 | | 267005 | 267005 | 267005 | 267005 | 267005 | 267005 | 267005 | 267005 | 267005 | |
| | Rotor (115V/230V)-Emerson | 1 | | 267005 | 267005 | 004021 | 004021 | 004021 | 267005 | 004021 | 004021 | 004021 | |
| 12 | • Washer, Thrust | 1 | | 002140 | 002140 | 002140 | 002140 | 002140 | 002140 | 002140 | 002140 | 002140 | |
| 13 | • Seal, Mtr Hsg. | 1 | | 267006 | 267006 | 267006 | 267006 | 014256 | 267006 | 267006 | 267006 | 014256 | |
| 14 | • Oil, Dielectric | 1 | 7 | 267056 | 006064 | 006064 | 006064 | 006064 | 267056 | 006064 | 006064 | 006064 | |
| 15 | Bearing, Lower | 1 | | 054024 | 054024 | N/A | N/A | N/A | 054024 | N/A | N/A | N/A | |
| 16 | Pump Housing | 1 | | 139018 | 139018 | 139018 | 139018 | 139018 | 139018 | 139018 | 139018 | 139018 | |
| 17 | • Seal, Shaft | 1 | | 005095 | 005095 | 005095 | 005095 | 014554 | 005095 | 005095 | 005095 | 014554 | |
| 18 | Impeller | 1 | | 139006 | 139006 | 139006 | 139006 | 139006 | 139006 | 139006 | 139006 | 139006 | |
| 19 | Base & Plate Asm | 1 | | 139002 | 139002 | 139002 | 139002 | 139002 | 139002 | 139002 | 139002 | 139002 | |
| 20 | Strainer Plate | 1 | | 137008 | 137008 | 137008 | 137008 | 137008 | 137008 | 137008 | 137008 | 137008 | |
| 21 | Cover, Plate & Gasket | 1 | | N/A | N/A | 007652 | 007652 | 007652 | N/A | 007652 | 007652 | 007652 | |
| 22 | Housing, Switch Case | 1 | | N/A | N/A | 006837 | 009454 | 009454 | N/A | 006837 | 009454 | 009454 | |
| 23 | Clamp, #36 Worm | 1 | | N/A | N/A | 001766 | 001766 | 001766 | 001766 | 001766 | 001766 | 001766 | |
| 24 | Strain Relief | 2 | 1 | 001770 | 001770 | 001770 | 001770 | 001770 | 001770 | 001770 | 001770 | 001770 | |
| 25 | • Seal Asm, Conduit | 2 | 1 | 018078 | 018078 | 018078 | 009643 | 009643 | 018078 | 018078 | 009643 | 009643 | |
| 26 | • Gasket, Case or Cover | 1 | | N/A | N/A | 267007 | 267007 | 014555 | 034046 | 267007 | 267007 | 014555 | |
| 27 | Cordage Conduit & Seals | 1 | | 018084 | 018084 | 018084 | 009647 | 009647 | 018084 | 018084 | 009647 | 009647 | |
| 28 | Conduit 6' | 1 | | 005252 | 005252 | 005252 | 005252 | 005252 | 005252 | 005252 | 005252 | 005252 | |
| 29 | Cordage & Terms | 1 | | 005354 | 005354 | 005354 | 005354 | 005354 | 005354 | 005354 | 005354 | 005354 | |
| 30 | • Screw, .25-20 x .75 HHM-SS | 13 | | 001916 | 001916 | 001916 | 001916 | 001916 | 001877 | 001877 | 001877 | 001877 | |
| 31 | • Screw, #10-24 x .375 RHM-SS | 5 | | N/A | N/A | 001883 | 001883 | 001883 | 001883 | 001883 | 001883 | 001883 | |
| 32 | • Screw, #6-32 x .375 RH SL STLZI | 2 | | 004644 | 004644 | 004644 | 004644 | 004644 | 004644 | 004644 | 004644 | 004644 | |
| 33 | • Screw, #10-24 x .375HH-SL TC | 2 | | 002000 | 002000 | 002000 | 002000 | 002000 | 002000 | 002000 | 002000 | 002000 | |
| 34 | • Screw, .25-20 x .875 LG HH SS | 4 | | 012491 | 012491 | 012491 | 012491 | 012491 | 012491 | 012491 | 012491 | 012491 | |
| 42 | Junction Box Assembly | 1 | | 005435 | 005435 | N/A | N/A | N/A | 005435 | N/A | N/A | N/A | |
| □ | Rebuild Kit | 1 | | 018090 | 018090 | 018090 | 018087 | 018087 | 018090 | 018090 | 018087 | 018087 | |

• Items included in Rebuild Kit.

□ Not shown in illustration.

NOTES:

- 1) Strain Relief (Item 24) can be purchased separately, but is included with Cord, Terminal & Seal Assembly (Item 29) and with Seal, Cord Assembly (Item 25).
- 2) Mtr. Hsg., Brg., Stator & Term. (Item 9) are preassembled at the factory and must be replaced as a unit. Stator is permanently attached to the Motor Housing. Plug (Item 8); Seal, Thru Wall Term. (Item 7) and Bearing - Upper (Item 10) are replaceable.
- 3) When ordering Motor Housing, Bearing, Stator and Term. (Item 9) or Rotor (Item 11) specify either GE or Emerson motor. GE motor can be identified by (4) holes spaced at 90° around the outside diameter of the stator. Emerson motor can be identified by (4) flat edges spaced at 90° around the outside diameter of the stator.
- 4) See FM0160 Parts Price Sheet for listing of parts prices.
- 5) "NA" indicates, not applicable.
- 6) If an "X" follows Model No., or Date Mfg. on brass ID tag, consult factory for ordering any parts.
- 7) When ordering Dielectric Oil (Item 14) for 115V Revision "A" pumps only, relay (Item 5) must be ordered.

DATE CODE OF MANUFACTURE FROM 12/70 to 12/88

| 1st LETTER MONTH | | 2nd LETTER YEAR | | | |
|------------------|-------------|-----------------|------------|------------|--|
| M --- JAN. | T --- JULY | A --- 1971 | G --- 1977 | O --- 1983 | |
| N --- FEB. | U --- AUG. | B --- 1972 | H --- 1978 | P --- 1984 | |
| O --- MARCH | V --- SEPT. | C --- 1973 | I --- 1979 | R --- 1985 | |
| P --- APRIL | W --- OCT. | D --- 1974 | J --- 1980 | S --- 1986 | |
| R --- MAY | X --- NOV. | E --- 1975 | M --- 1981 | T --- 1987 | |
| S --- JUNE | Y --- DEC. | F --- 1976 | N --- 1982 | U --- 1988 | |

NOTE: Four digit (MMYY) date of mfg. used after June, 1988.
IE: MMYY = 0192 = Jan. 1992.

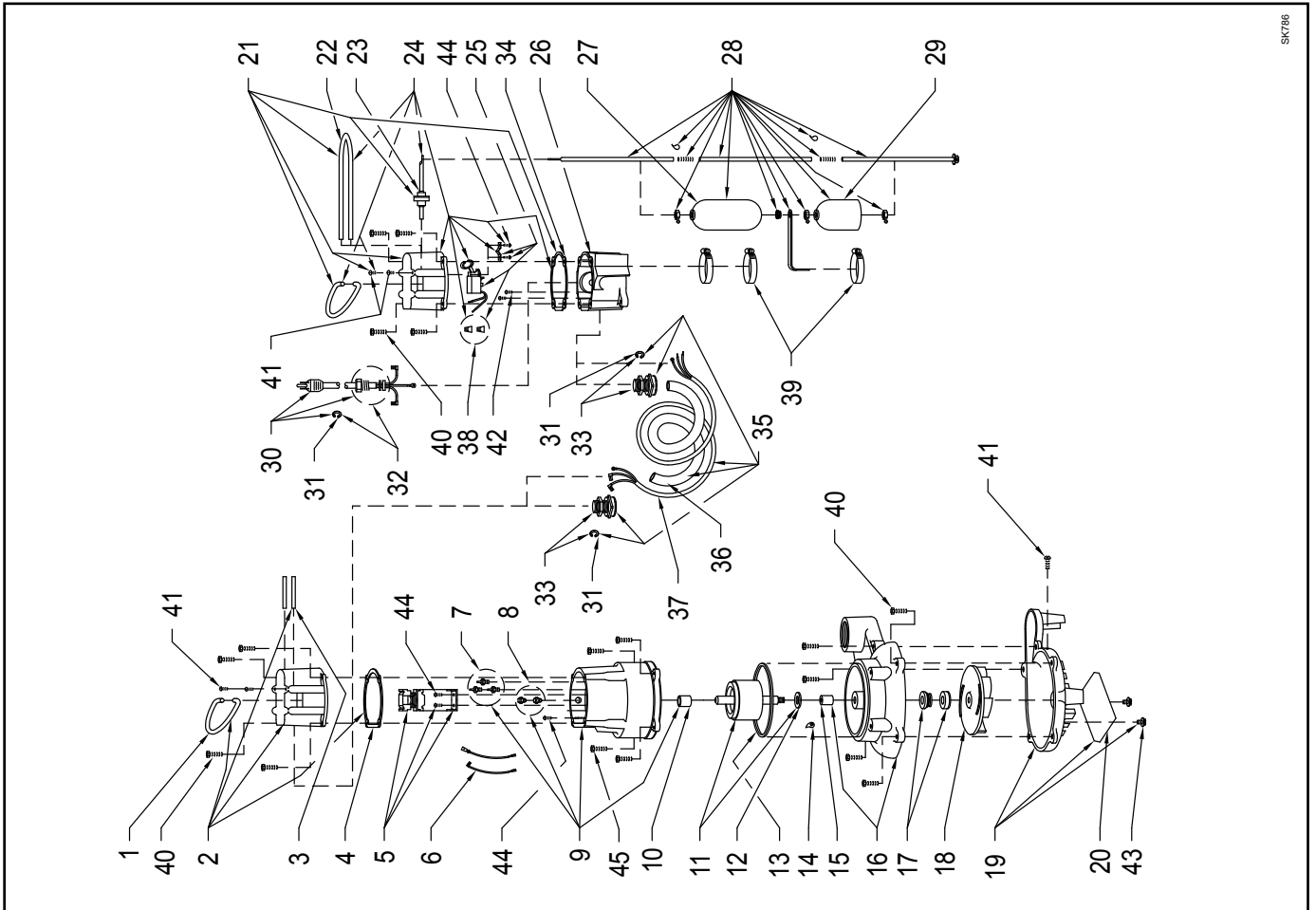


MAIL TO: P.O. BOX 16347 • Louisville, KY 40256-0347
SHIP TO: 3649 Cane Run Road • Louisville, KY 40211-1961
(502) 778-2731 • 1 (800) 928-PUMP • FAX (502) 774-3624

Visit our website:
zoellerpumps.com

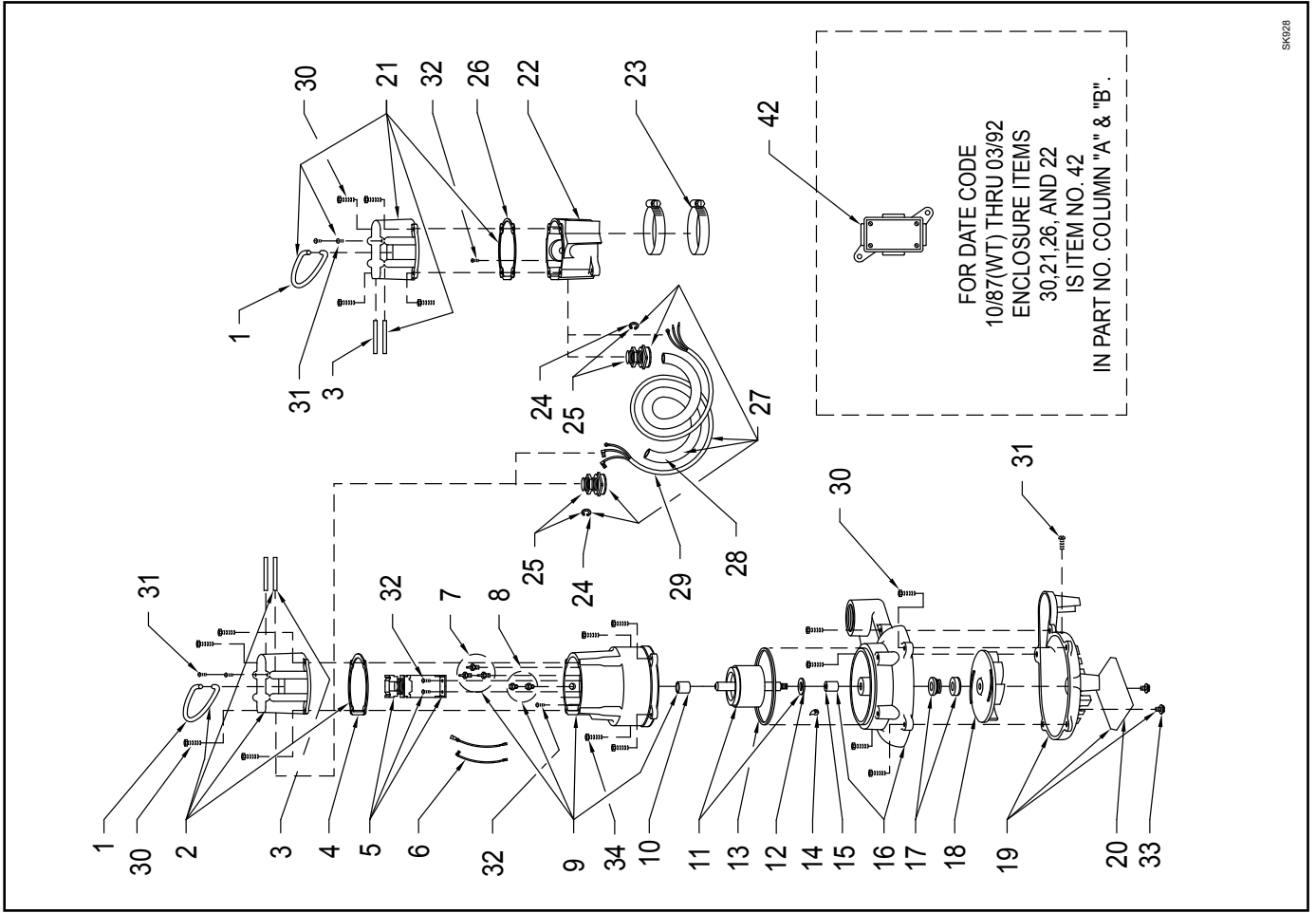
Trusted. Tested. Tough.®

REPLACEMENT PARTS ILLUSTRATION FOR MODELS "M3139" and "D3139"



SK786

REPLACEMENT PARTS ILLUSTRATION FOR MODELS "N3139" and "E3139"



SK028