

Trusted. Tested. Tough.®

Product information presented here reflects conditions at time of publication. Consult factory regarding discrepancies or inconsistencies.

Register your
Zoeller Pump Company Product
on our website:
<http://reg.zoellerpumps.com/>



FM3375
0921
Supersedes
0321

MAIL TO: P.O. BOX 16347 • Louisville, KY 40256-0347
SHIP TO: 3649 Cane Run Road • Louisville, KY 40211-1961
TEL: (502) 778-2731 • 1 (800) 928-PUMP • FAX: (502) 774-3624

Visit our website:
zoellerpumps.com

Pressure Effluent Filter OWNER'S MANUAL

Application

Use this filter to screen effluent under pressure. The base screen will remove particles greater than 1/16" in diameter. An additional filter sock will screen to either 100 or 600 microns. Applications include LPP, sand filters, pressure dosed wetlands, drip distribution, and most pressure applications.

Installation

Determine the discharge pipe length needed from pump to filter. Install a 2" PVC discharge pipe for the 5000-0001 or a 3" PVC discharge pipe for the 5000-0008. Note: Pumps with a smaller discharge size may be adapted to fit. Glue the filter to the end of the discharge pipe. Glue a 6" long PVC pipe to a PVC union ball valve and glue this assembly to the discharge of the filter. Plumb the discharge into the union and glue. NOTE: Use PVC primer and solvent on all glue joints.

Service

The Zoeller Pump Company Pressure Effluent Filter requires periodic service. The optional Service Alarm Switch will indicate when service is needed. Excessive pump run times or high water may also indicate a clogged filter. At a minimum, service the filter each time the septic tank and/or pump chamber is serviced. Check with your local health department for pumping recommendations.

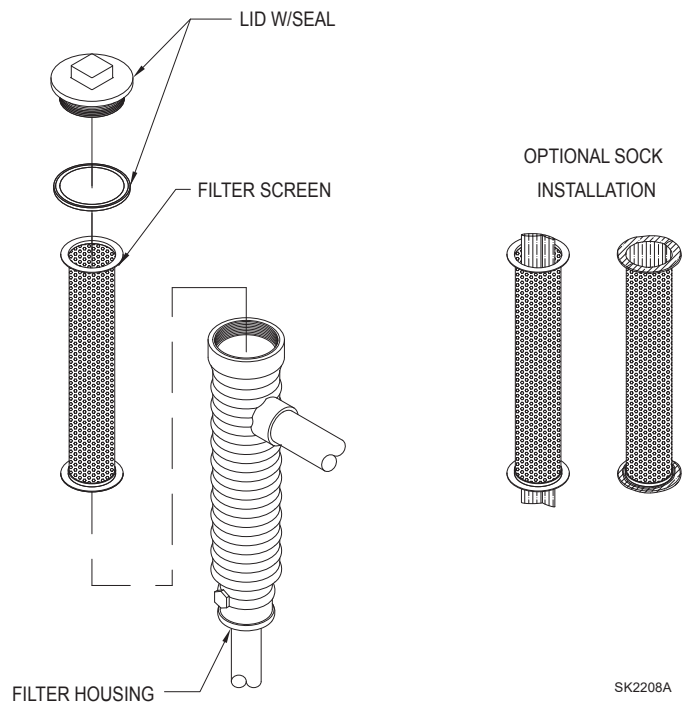
To service the filter screen, disconnect power to the pump and unscrew the 4" lid. Pull the filter screen from the housing and wash it out thoroughly in an appropriate location with proper protection. Reinsert the cleaned filter screen, replace the 4" lid and restore power to the pump. For service providers, a spare screen will allow for a faster service visit, since the dirty filter can simply be replaced and cleaned later at the service provider's convenience.

If the system is equipped with our Service Alarm Switch, the filter screen does not need service until the Service Alarm Switch activates a light or audio alarm. Service is still recommended each time the septic tank and/or pump chamber is serviced.

Sock Installation

To install the sock in a standard filter screen, remove the 1/16" diameter SS wire handle by straightening out the 90° bend in the wire handle with pliers and removing it from the filter screen. The sock is installed inside of the filter screen.

At this time, the sock can be placed inside the canister screen and wrapped around the seating surfaces on the top and bottom. This will secure the sock in the filter. The sock is a 100 micron thermal nylon or 600 micron seamless knitted polyester with 100 psi burst strength. The sock is several inches longer than the filter screen so as to allow the sock to be pulled around the filter screen flanges and secured as shown below.



Limited Warranty

Manufacturer warrants, to the purchaser and subsequent owner during the warranty period, every new product to be free from defects in material and workmanship under normal use and service, when properly used and maintained, for a period of one year from date of purchase by the end user, or 18 months from date of original manufacture of the product, whichever comes first. Parts that fail within the warranty period, one year from date of purchase by the end user, or 18 months from the date of original manufacture of the product, whichever comes first, that inspections determine to be defective in material or workmanship, will be repaired, replaced or remanufactured at manufacturer's option, provided however, that by so doing we will not be obligated to replace an entire assembly, the entire mechanism or the complete unit. No allowance will be made for shipping charges, damages, labor or other charges that may occur due to product failure, repair or replacement.

This warranty does not apply to and there shall be no warranty for any material or product that has been disassembled without prior approval of manufacturer, subjected to misuse, misapplication, neglect, alteration, accident or act of God; that has not been installed, operated or maintained in accordance with manufacturer's installation instructions; that has been exposed to outside substances including but not limited to the following: sand, gravel, cement, mud, tar, hydrocarbons, hydrocarbon derivatives (oil, gasoline, solvents, etc.), or other abrasive or corrosive substances, wash towels or feminine sanitary

products, etc. in all pumping applications. The warranty set out in the paragraph above is in lieu of all other warranties expressed or implied; and we do not authorize any representative or other person to assume for us any other liability in connection with our products.

Contact manufacturer at, 3649 Cane Run Road, Louisville, Kentucky 40211, Attention: Customer Support Department to obtain any needed repair or replacement of part(s) or additional information pertaining to our warranty.

MANUFACTURER EXPRESSLY DISCLAIMS LIABILITY FOR SPECIAL, CONSEQUENTIAL OR INCIDENTAL DAMAGES OR BREACH OF EXPRESSED OR IMPLIED WARRANTY; AND ANY IMPLIED WARRANTY OF FITNESS FOR A PARTICULAR PURPOSE AND OF MERCHANTABILITY SHALL BE LIMITED TO THE DURATION OF THE EXPRESSED WARRANTY.

Some states do not allow limitations on the duration of an implied warranty, so the above limitation may not apply to you. Some states do not allow the exclusion or limitation of incidental or consequential damages, so the above limitation or exclusion may not apply to you.

This warranty gives you specific legal rights and you may also have other rights which vary from state to state.

All Zoeller Pump Company products must be installed and maintained in accordance with all applicable codes. Product information presented here reflects conditions at time of publication. Consult factory regarding discrepancies or inconsistencies.