

932 DROP IN REPLACEMENT

Progressive Cavity Grinder Pump System

Features:

- Readily adapts to existing progressing cavity grinder pump systems
- Electrical Quick-Disconnect (EQD) coupling, rectangular or round, for mating onto existing system
- RWD810 & RWD815 system with internally mounted dual action Y-spliced floats
- Discharge size: 1-1/4" NPT
- 1 & 2 HP, 60hz, 1750 RPM 230 V, 1 PH
- Hardened stainless steel cutter and disc, Rockwell C55-60
- Pressure relief valve
- Brass check valve, 200 psi, WOG rated
- Anti-siphon device included
- Carbon/ceramic mechanical seal

100% factory tested

Hydraulic rotor with deflector



Tri-Slice® cutter blade and plate



Integral pressure relief valve



1 HP RWD810
2 HP RWD815

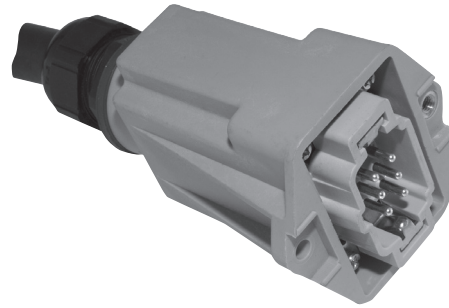
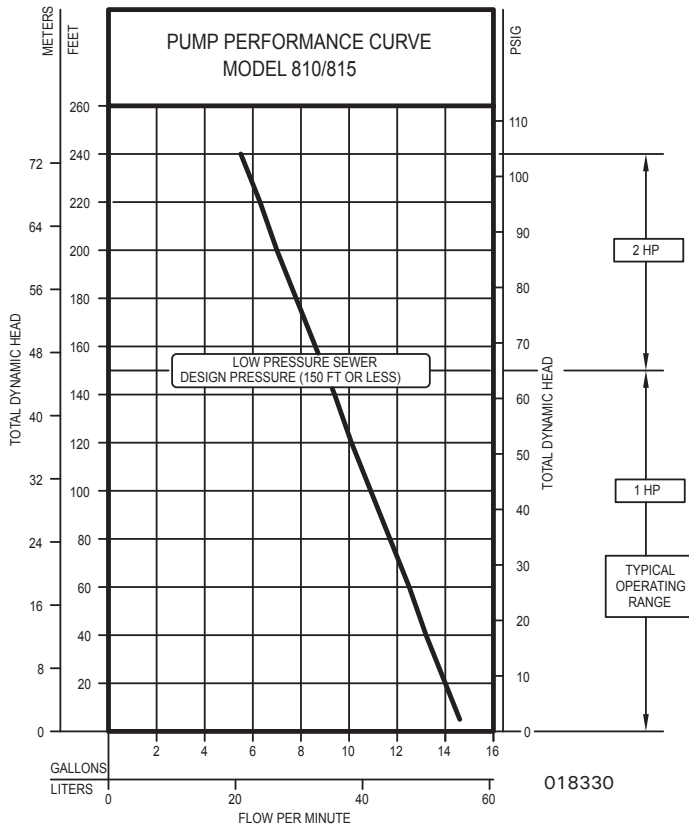
ZOELLER 
PUMP COMPANY

Trusted. Tested. Tough.®

zoellerpumps.com 800-928-7867
3649 Cane Run Road, Louisville, KY 40211 USA



FM3204
0420
Supersedes
0619



Rectangular EQD



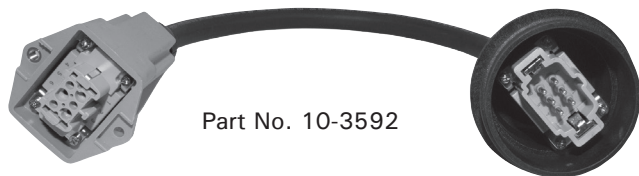
Round EQD

REPLACEMENT GRINDER ASSEMBLIES

| 1 - 2 HP, 1-1/4" N.P.T. | | | | | | | |
|-------------------------|------------------|-------------|------------|----|-------|----|------|
| Assembly Part Number | Discharge Piping | EQD | Pump Model | HP | Volts | Ph | Amp |
| 932-0020 | Galvanized | Rectangular | RWD810 | 1 | 230 | 1 | 7.0 |
| 932-0021 | Galvanized | Round | RWD810 | 1 | 230 | 1 | 7.0 |
| 932-0022 | Galvanized | Rectangular | RWD815 | 2 | 230 | 1 | 10.5 |
| 932-0023 | Galvanized | Round | RWD815 | 2 | 230 | 1 | 10.5 |

EQD ADAPTER

Before 2010, progressing cavity systems were sold with a rectangular EQD coupling. More recently, the round EQD has been used. EQD adapters, pictured below, are used to adapt Zoeller's 932 system to an existing system in the field having either a round or rectangular coupling.



| EQD Adapter Cord | | |
|------------------|-----------------|-------------|
| | Rectangular EQD | Round EQD |
| 10-3592 | Female Plug | Male Plug |
| 10-4824 | Male Plug | Female Plug |

