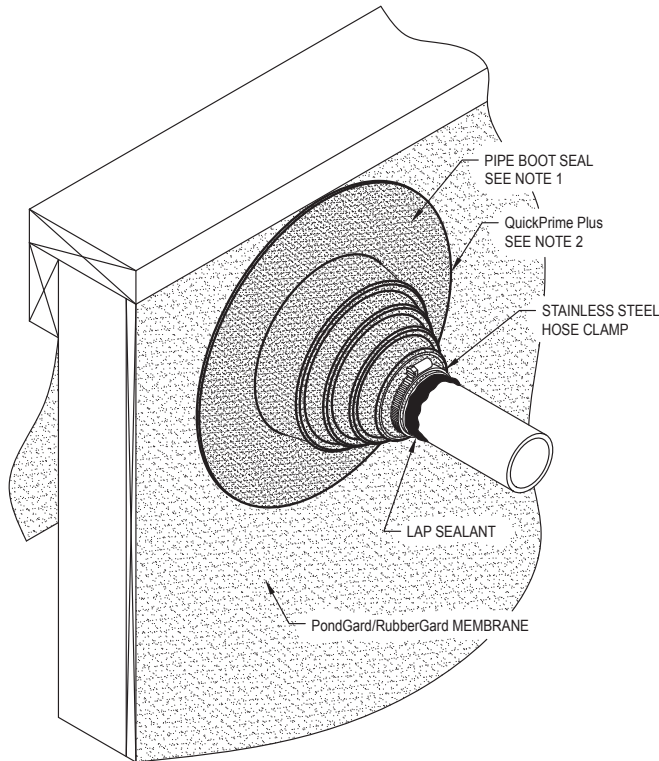


Product information presented here reflects conditions at time of publication. Consult factory regarding discrepancies or inconsistencies.

MAIL TO: P.O. BOX 16347 • Louisville, KY 40256-0347
 SHIP TO: 3649 Cane Run Road • Louisville, KY 40211-1961
 TEL: (502) 778-2731 • 1 (800) 928-PUMP • FAX: (502) 774-3624

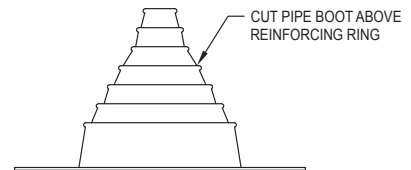
Visit our website:
zoellerpumps.com

Pipe Boot Seal Installation Instructions

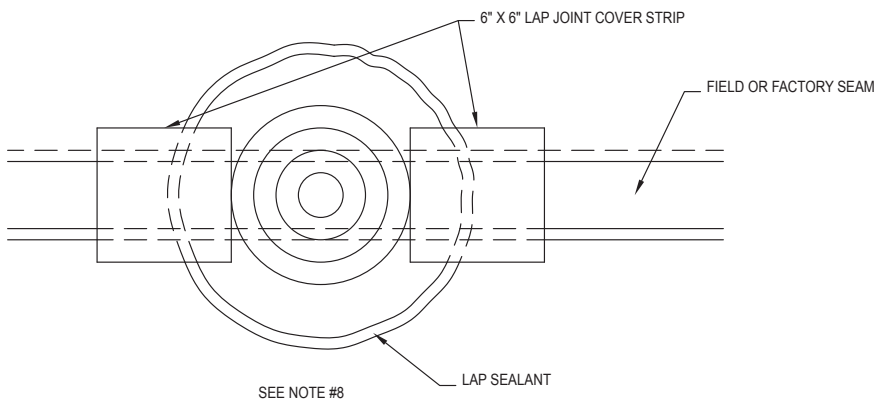


INSTRUCTIONS:

- 1-PIPE BOOTS MUST BE CUT TO SIZE.
- 2-APPLY QuickPrime Plus TO MEMBRANE WHERE THE PIPE BOOT WILL BE PLACED. (SEE QuickPrime Plus DIRECTIONS)
- 3-REMOVE THE PROTECTIVE PAPER FROM THE PIPE BOOT.
- 4-MATE THE PIPE BOOT TO THE MEMBRANE. (DO NOT TRY TO PULL UP TO TEST SEAL).
- 5-ROLL THE FLANGE WITH A 2" ROLLER.
- 6-APPLY LAP SEALANT WHERE THE PIPE MEETS THE PIPE BOOT.
- 7-TIGHTEN THE HOSE CLAMP AROUND THE PIPE BOOT AND PIPE. (ENSURE THERE ARE NO WRINKLES OR FOLDS UNDER THE HOSE CLAMP).
- 8-IF THE FLANGE OF THE PIPE BOOT OVERLAPS A FIELD OR FACTORY SEAM APPLY LAP SEALANT CAULK AROUND THE EDGE OF THE PIPE BOOT AND THEN PLACE A 6" X 6" COVER STRIP OVER THE BOOT AND SEAM.



SEE NOTE #1



QuickPrime Plus Installation Instructions

HEALTH HAZARD WARNINGS



DANGER! FLAMMABLE

- Inhalation of vapors may cause respiratory irritation, headaches, dizziness, nausea and unconsciousness.
- Long-term excessive exposure may cause liver and kidney damage.
- Eye and skin contact can cause irritation and drying of the skin.

PRECAUTIONS

- Keep away from heat, sparks, motors and open flames.
- Extinguish pilot lights. Do not smoke.
- Keep container closed when not in use.
- Avoid prolonged inhalation and skin contact.
- Use only in a well-ventilated area.
- Use neoprene or nitrile gloves to prevent contact with skin.
- Wear eye protection with safety side shields.
- Vapors can form explosive mixtures with air; this could cause severe bodily injury.
- When "empty" this package may contain explosive, flammable and harmful vapor and residue. Do not reuse container or remove labels. Follow label warning even when "empty." Disposal should be in accordance with federal, state and local regulations.

FIRST AID PROCEDURES

EYE CONTACT: Flush with water for at least 15 minutes. Contact physician.

SKIN CONTACT: Wash with soap and water. Contact physician if irritation persists.

INHALATION: Remove to fresh air; administer oxygen or artificial respiration if necessary. Contact physician.

SWALLOWING: Do not induce vomiting. Contact physician immediately.

THIS PACKAGE FOR PROFESSIONAL/INDUSTRIAL USE ONLY. User determines suitability for intended use and assumes all risk and liability. All purchases and uses are subject to warranty and exclusive remedy provisions on Technical Information Sheet. If terms not acceptable, return product at once, unopened.

- Read label carefully before use.
- Material Safety Data Sheet is available from manufacturer for detailed information.

INGREDIENTS

HEPTANE 142-82-5
TOLUENE 108-88-3
METHYL ALCOHOL 67-56-1

OTHER INGREDIENTS

HYDROCARBON RESIN
HALOGENATED BUTYL

DISPOSAL INFORMATION

User shall dispose of only "empty" containers. Disposal shall be in accordance with federal, state and local regulations.

Maximum VOC content not to exceed 664 gm/L.

SEE MATERIAL SAFETY DATA SHEET

Firestone Building Products Co. Carmel, IN USA

Firestone Emergency Phone: 1-317-575-7190

Preparation of Splicing Surfaces:

Splice surfaces must be clean, dry, free of foreign materials and excess dusting agent. Clean with broom or rags to remove contaminants.

Method of Application:

Apply QuickPrime Plus at the rate of 200-250 square feet per gallon per side to the splicing surfaces using the QuickScrubber Plus pad and handle. Use back and forth strokes (four minimum) with heavy pressure along the length of the splicing area, until membrane surfaces become dark gray in color with no streaking or puddling. Additional scrubbing is required at: factory seams; areas of excess dusting agent; or other contaminated areas of the RubberGuard® membrane.

When using the QuickScrubber or QuickScrubber Plus pad and handle, factory seams require parallel as well as perpendicular application motions along the factory seam. Bear down on the QuickScrubber Plus pad and handle system during application so the pad holder flattens to allow the total surface of the pad to contact with the RubberGuard® membrane.

Allow the surfaces to dry completely (usually less than 10 minutes) before applying QuickSeam® products or Splice Adhesive. Complete seaming procedures per Firestone's current specifications and details.

Stir thoroughly before and during use.

Shelf life of 12 months can be expected if this material is stored between 60 °F and 80 °F. Should the primer be exposed to lower temperatures, restore at room temperature 3 to 5 days prior to use.

NOTE: Use of neoprene or nitrile gloves and eye protection with side shields is required during application.

These general instructions cover application of most industrial adhesives; however, referral to the Firestone Technical Specifications Manual or Firestone Sales or Technical representative for specific use and application is mandatory. Because Firestone has no direct control over this product's methods of application and conditions of use, the product is warranted only when applied according to the Firestone Technical Specifications Manual instructions. Under no circumstances is Firestone responsible for any damages beyond the cost of the product used.

Stir thoroughly before and during use

COVER TIGHTLY WHEN NOT IN USE

DO NOT THIN

DO NOT USE AS A SPLICE ADHESIVE

USE ONLY QUICKSCRUBBER OR

QUICKSCRUBBER PLUS

TO APPLY QUICKPRIME PLUS

WARNING! This product contains a chemical known to the State of California to cause birth defects or other reproductive harm.

NOTE: Firestone QuickPrime Plus is designed to clean and prepare RubberGuard® EPDM membrane to receive Firestone QuickSeam® tape products. It may also be used to prepare RubberGuard® EPDM membrane to receive Firestone SA-1065 EPDM Splice Adhesive.



MAIL TO: P.O. BOX 16347 • Louisville, KY 40256-0347
SHIP TO: 3649 Cane Run Road • Louisville, KY 40211-1961
(502) 778-2731 • 1 (800) 928-PUMP • FAX (502) 774-3624

Trusted. Tested. Tough.®

Visit our website:
zoellerpumps.com