

Trusted. Tested. Tough.®

Product information presented here reflects conditions at time of publication. Consult factory regarding discrepancies or inconsistencies.



**MAIL TO:** P.O. BOX 16347 • Louisville, KY 40256-0347  
**SHIP TO:** 3649 Cane Run Road • Louisville, KY 40211-1961  
**(502) 778-2731 • 1 (800) 928-PUMP • FAX (502) 774-3624**

**SECTION: C2.10.160**  
 CL0043  
 1211  
 Supersedes  
 New

**Visit our web site:**  
**clarusenvironmental.com**

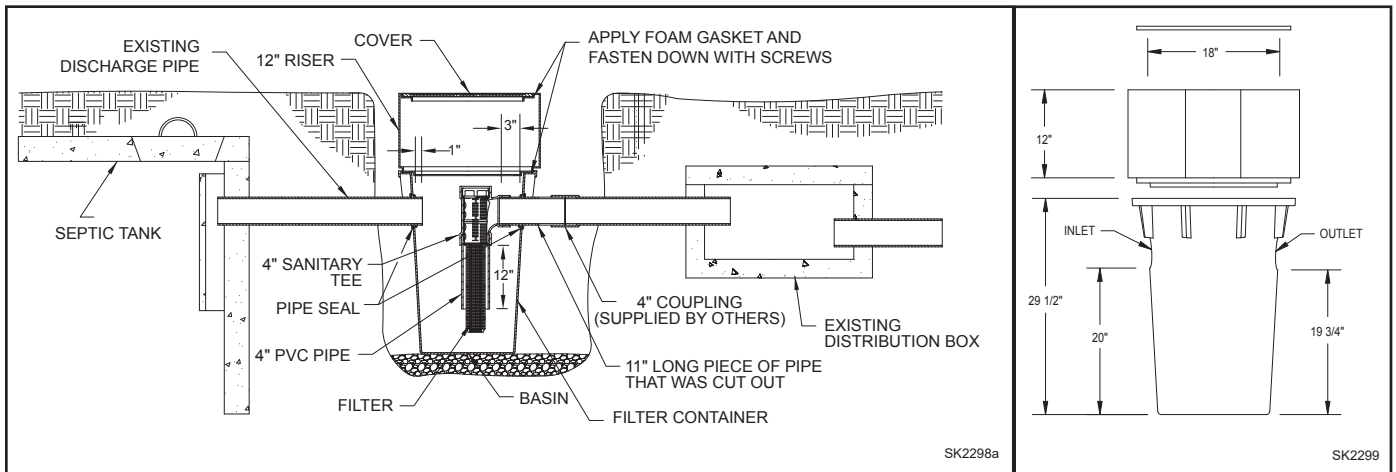
## Container Assembly

Retrofitting a septic tank effluent filter into an existing tank can involve unexpected challenges. Typically, effluent filters are mounted in an outlet tee inside the septic tank. However, some older tanks contain concrete baffles or other structures which prevent the installation of a sanitary baffle tee. For installations in which standard effluent filter mounting will not work, Clarus Environmental offers the Container Assembly. This poly basin and riser assembly is intended to provide an alternate method for filtering effluent prior to the drainfield.

The Container Assembly is designed to intercept the existing effluent discharge line outside the septic tank while accommodating a Clarus Environmental WW1 residential effluent filter (p/n 170-0078 or 170-0144) inside the basin. The system is also useful in capturing laundry lint in homes where washing machine water is directed to separate designated drainfield. The Container Assembly comes complete with the basin, 12" tall riser, riser lid, lid screws, SDR 35 and SCH 40 pipe seals, and a foam gasket. Additional 6" and 12" riser extensions are available.



**5090-0001**  
**Container Assembly,**  
 Filter Container, 12"  
 Riser and Riser Lid.



A typical container assembly installation is shown above and the dimensions of the filter container, riser and riser lid are shown to the right. Filter and PVC fittings not included.

| Part Number | Description                               | Weight   |
|-------------|---|----------|
| 5090-0001   | Container assembly w/12" riser and lid    | 32 lbs.  |
| 31-1473     | 12" riser extension w/hardware and gasket | 10 lbs.  |
| 31-1476     | 6" riser extension w/hardware and gasket  | 5 lbs.   |
| 170-0078    | WW1 Effluent Filter                       | 2 lbs.   |
| 170-0144    | WW1 Effluent Filter w/ 4" sanitary tee    | 3.5 lbs. |

Product information presented here reflects conditions at time of publication. Consult factory regarding discrepancies or inconsistencies.

Trusted. Tested. Tough.®

3649 Cane Run Rd. • Louisville, KY 40211-1961 • (502) 778-2731 • FAX: (502) 774-3624  
 clarusenvironmental.com

© Copyright 2011. All rights reserved.