

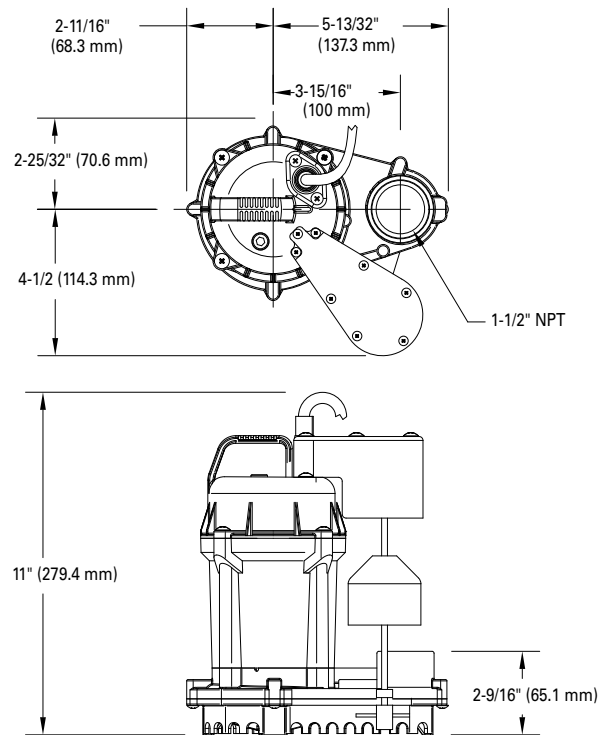
Product information presented here reflects conditions at time of publication. Consult factory regarding discrepancies or inconsistencies.

## TECHNICAL DATA SHEET

### MODEL 73 SUBMERSIBLE DEWATERING PUMP

#### PRODUCT SPECIFICATIONS

<b>MOTOR</b>	Horse Power	1/3
	Voltage	115
	Phase	1 Ph
	Hertz	60 Hz
	RPM	3450
	Type	Permanent split capacitor
	Insulation	Class B
	Amps	5.5
<b>PUMP</b>	Operation	Automatic or nonautomatic
	Auto On/Off Points	6-1/2" (16.5 cm)/2-1/2" (6.3 cm)
	Discharge Size	1-1/2" NPT
	Solids Handling	3/8" (9 mm) spherical solids
	Cord Length	9' (2.7 m) standard, 20' (6 m) available
	Cord Type	UL listed with 3 prong plug
	Max. Head	18' (5.5 m)
	Max. Flow Rate	38 GPM (144 LPM)
	Max. Operating Temp.	104 °F (40 °C)
	Cooling	Oil filled
	Motor Protection	Auto reset thermal overload
<b>MATERIALS</b>	Motor Housing	Cast iron
	Pump Housing	Engineered plastic
	Base	Engineered plastic
	Upper Bearing	Ball bearing
	Lower Bearing	Ball bearing
	Mechanical Seals	Carbon and ceramic
	Impeller Type	Non-clogging vortex
	Impeller	Engineered plastic
	Hardware	Stainless steel
	Motor Shaft	410 stainless steel
	Gasket	NBR



SK3021

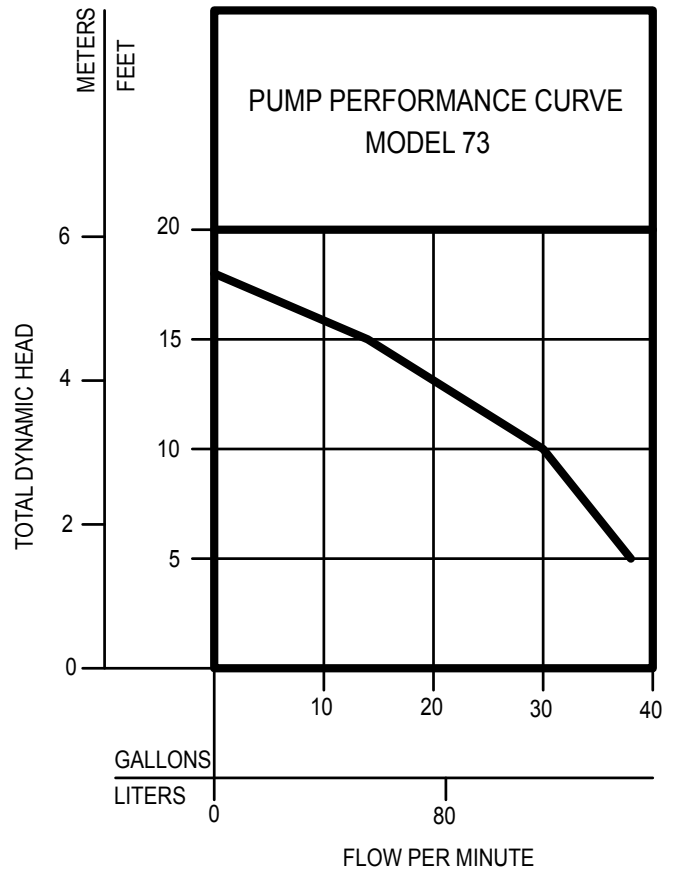


NOTE: See model comparison chart for specific details.



**TOTAL DYNAMIC HEAD  
FLOW PER MINUTE**

MODEL		73	
Feet	Meters	Gal.	Liters
5	1.5	38	144
10	3.0	30	114
15	4.6	14	53
Shut-off Head:		18 ft. (5.5 m)	



153077

Model	MODEL COMPARISON								
	Seal	Mode	Volts	Ph	Amps	HP	Hz	Lbs	Kg
M73	Single	Auto	115	1	5.5	1/3	60	12.5	5.6
N73	Single	Non auto	115	1	5.5	1/3	60	12.0	5.4
BN73*	Single	Auto	115	1	5.5	1/3	60	13.5	6.1

\* Single piggyback switch included.

**CAUTION**

All installation of controls, protection devices and wiring should be done by a qualified licensed electrician. All electrical and safety codes should be followed including the most recent National Electrical Code (NEC) and the Occupational Safety and Health Act (OSHA).