

Product information presented here reflects conditions at time of publication. Consult factory regarding discrepancies or inconsistencies.



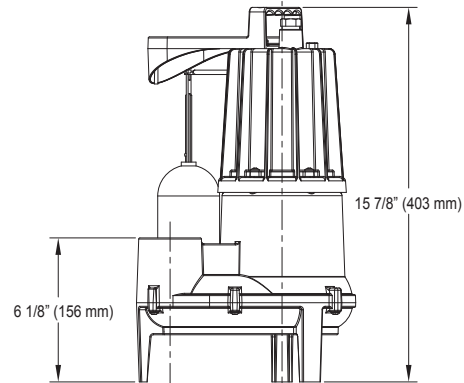
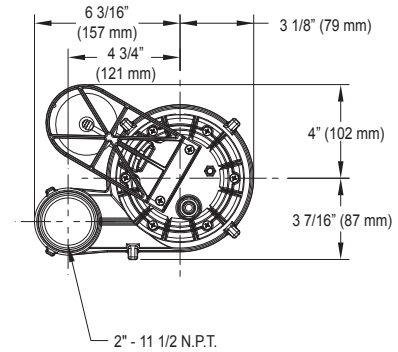
TECHNICAL DATA SHEET

AQUA-MATE SERIES

Model 211 Sewage/Effluent or Dewatering Pumps

PRODUCT SPECIFICATIONS

MOTOR	Horse Power	4/10
	Voltage	115
	Phase	1 Ph
	Hertz	60 Hz
	RPM	3400
	Type	Permanent split capacitor
	Insulation	Class B
	Amps	5.5
PUMP	Operation	Automatic or nonautomatic
	Auto On/Off Points	13" (33 cm) / 5-3/4" (14.6 cm)
	Discharge Size	2" NPT
	Solids Handling	2" (50 mm) spherical solids
	Cord Length	10' (3 m) automatic, 15' (5 m) nonautomatic
	Cord Type	UL listed 3-wire plug
	Max. Head	18.5'
	Max. Flow Rate	76 GPM (288 LPM)
	Max. Operating Temp.	110° F (43° C)
	Cooling	Oil free
	Motor Protection	Auto reset thermal overload (1 Ph)
MATERIALS	Motor Housing	Engineered plastic
	Pump Housing	Engineered plastic
	Base	Engineered plastic
	Upper Bearing	Ball bearing
	Lower Bearing	Ball bearing
	Mechanical Seals	Carbon and ceramic
	Impeller Type	Non-clogging vortex
	Impeller	Engineered plastic
	Hardware	Stainless steel
	Motor Shaft	410 stainless steel
	Gasket	Buna-N o-ring



SK2092

NOTE: The sizing of effluent systems normally requires variable level float(s) controls and properly sized basins to achieve required pumping cycles or dosing timers with nonautomatic pumps.

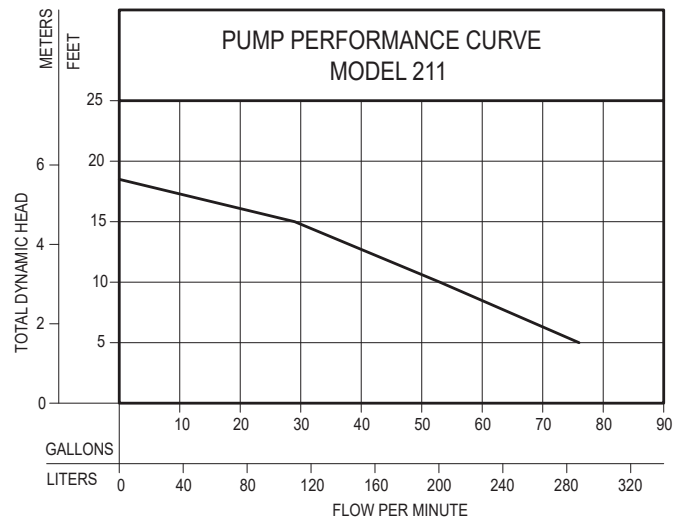
NOTE: See model comparison chart for specific details.



TOTAL DYNAMIC HEAD FLOW PER MINUTE

MODEL		211	
Feet	Meters	Gal.	Liters
5	1.5	76	288
10	3.0	53	201
15	4.6	29	110
Shut-off Head:		18.5 ft. (5.6m)	

NOTE: recommended for 2" pipe only



014718

Model	MODEL COMPARISON										
	Seal	Mode	Volts	Ph	Amps	HP	Hz	Lbs.	Kg	Simplex	Duplex
M211	Single	Auto	115	1	5.5	4/10	60	12	5	1	3
N211	Single	Non	115	1	5.5	4/10	60	12	5	2	2 & 3
*BN211	Single	Auto	115	1	5.5	4/10	60	15	7	--	--

*Single piggyback switch included.

SELECTION GUIDE

1. Integral float-operated mechanical switch, no external control required.
2. For automatic use single piggyback variable level float switch or double piggyback variable level float switch. Refer to FM0477.
3. See FM1663 for a residential alternator system.

CAUTION All installation of controls, protection devices and wiring should be done by a qualified licensed electrician. All electrical and safety codes should be followed including the most recent National Electrical Code (NEC) and the Occupational Safety and Health Act (OSHA).