

Trusted. Tested. Tough.®

Product information presented here reflects conditions at time of publication. Consult factory regarding discrepancies or inconsistencies.



SECTION: 2.25.030

FM2370

0821

Supersedes

0620

MAIL TO: P.O. BOX 16347 • Louisville, KY 40256-0347  
SHIP TO: 3649 Cane Run Road • Louisville, KY 40211-1961  
TEL: (502) 778-2731 • 1 (800) 928-PUMP • FAX: (502) 774-3624

Visit our website:  
zoellerpumps.com

## 922 PREPACKAGED SYSTEM MODEL 810/815



### Progressing Cavity Pumps

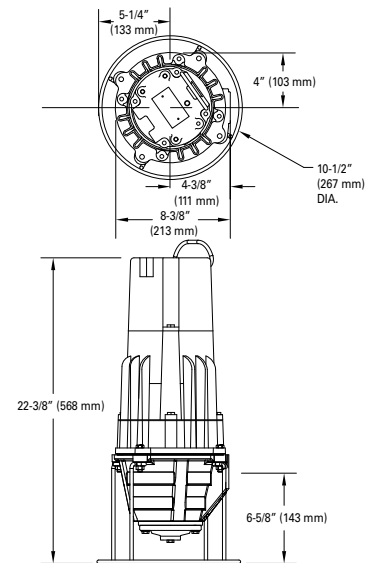
- 810 – 1HP, 230 Volt/1 Phase, 7.0 FLA
- 815 – 2 HP, 230 Volt/1 Phase, 10.5 FLA
- 20' Power cord
- Corrosion resistant powder coated epoxy finish
- Discharge size - 1-1/4" NPT
- Oil-filled - hermetically sealed motor
- Hardened 440c stainless steel cutter and disc
- Stainless steel hydraulic pump rotor with deflector plate
- Pressure relief valve

### Control Panel

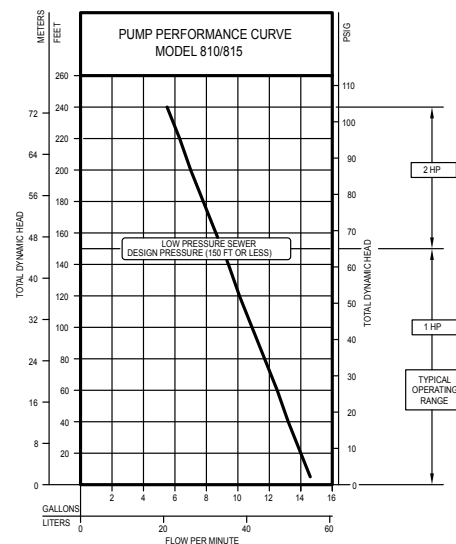
- NEMA 4X watertight enclosure with lockable latch
- Motor contactor
- Red alarm light & audible alarm (83 to 85 decibel rating)
- Pump run indicator light
- Horn silence and alarm test toggle switches
- HOA (Hand-Off-Auto) switch
- Dry auxiliary contact

### Float Switch

- (3) 20' Clamp mounted mechanical float switches



SK2533



018330

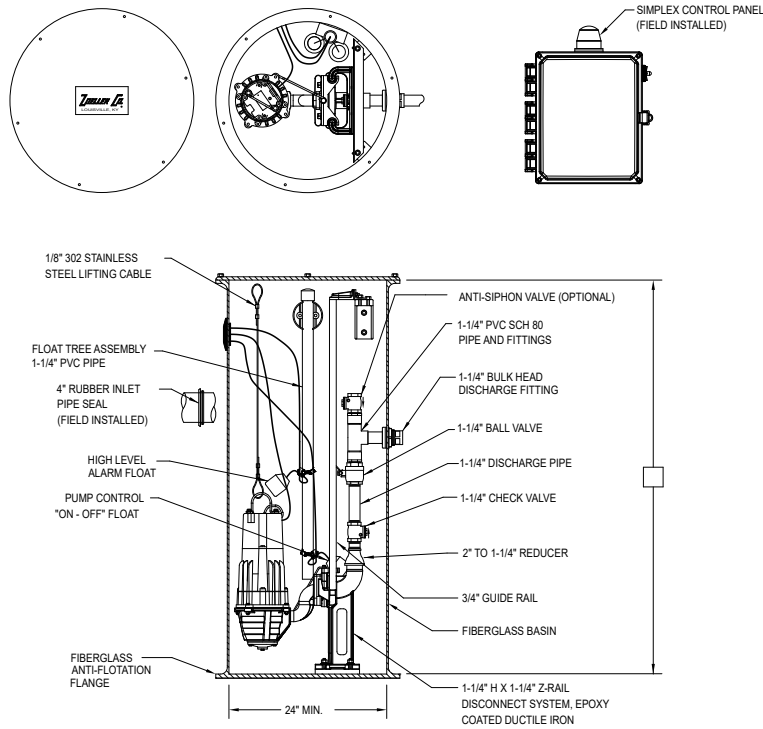
### Fiberglass Basin Assembly

- 24" Diameter fiberglass basin assembly
- Solid fiberglass cover
- Anti-flotation device
- 1-1/4" Sch 80 PVC discharge piping
- Float Tree
- 1-1/4" Ball and check valve installed
- Anti-siphon valve
- 4" Inlet pipe seal loose for field install
- Stainless steel lifting cable

### Polyethylene Basin Assembly

- 30" Diameter polyethylene basin assembly
- Solid fiberglass cover
- Anti-flotation device
- 1-1/4" Sch 80 PVC discharge piping
- Float Tree
- 1-1/4" Ball and check valve installed
- Anti-siphon valve
- 4" Inlet pipe seal loose for field install
- Nylon lifting rope

## 922 PREPACKAGED SYSTEM MODEL 810/815 FIBERGLASS BASIN ASSEMBLY



SK3091

| ITEM NO. | PUMP | DESCRIPTION  | VOLTAGE   | WEIGHT   |
|----------|------|--|-----------|----------|
| 922-0075 | E810 | 24" x 48" Progressing Cavity Package System, Discharge @ 24" | 230V-1 Ph | 311 lbs. |
| 922-0076 | E810 | 24" x 60" Progressing Cavity Package System, Discharge @ 24" | 230V-1 Ph | 321 lbs. |
| 922-0077 | E810 | 24" x 72" Progressing Cavity Package System, Discharge @ 24" | 230V-1 Ph | 330 lbs. |
| 922-0078 | E815 | 24" x 48" Progressing Cavity Package System, Discharge @ 24" | 230V-1 Ph | 311 lbs. |
| 922-0079 | E815 | 24" x 60" Progressing Cavity Package System, Discharge @ 24" | 230V-1 Ph | 321 lbs. |
| 922-0080 | E815 | 24" x 72" Progressing Cavity Package System, Discharge @ 24" | 230V-1 Ph | 330 lbs. |

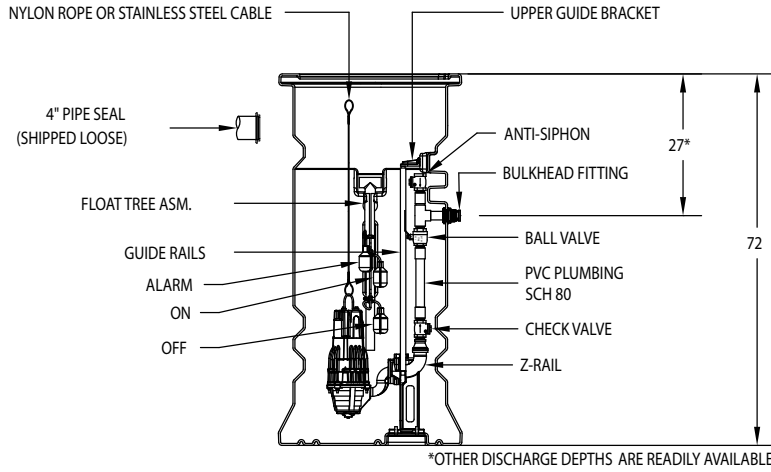
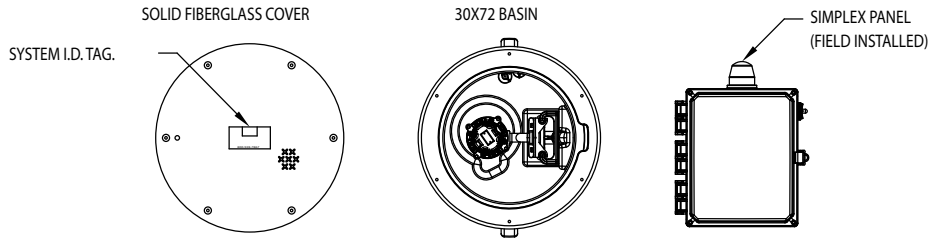
| 922-0075 |          |                              | 922-0076 |          |                              |
|----------|----------|------------------------------|----------|----------|------------------------------|
| 1        | 810-0004 | E810, 230 Volt, 1 Phase, 20' | 1        | 810-0004 | E810, 230 Volt, 1 Phase, 20' |
| 1        | 10-4465  | Simplex Panel                | 1        | 10-4465  | Simplex Panel                |
| 3        | 10-0744  | 20' Float Switch             | 3        | 10-0744  | 20' Float Switch             |
| 1        | 10-1456  | Float Tree                   | 1        | 10-1456  | Float Tree                   |
| 1        | 33-2000  | 24" X 48" Basin Assembly     | 1        | 33-2003  | 24" X 60" Basin Assembly     |

| 922-0077 |          |                                   | 922-0078 |          |                                   |
|----------|----------|-----------------------------------|----------|----------|-----------------------------------|
| 1        | 810-0004 | E810, 230 Volt, 1 Phase, 20' Cord | 1        | 815-0004 | E815, 230 Volt, 1 Phase, 20' Cord |
| 1        | 10-4465  | Simplex Panel                     | 1        | 10-4465  | Simplex Panel                     |
| 3        | 10-0744  | 20' Float Switch                  | 3        | 10-0744  | 20' Float Switch                  |
| 1        | 10-1456  | Float Tree                        | 1        | 10-1456  | Float Tree                        |
| 1        | 33-2199  | 24" X 72" Basin Assembly          | 1        | 33-2000  | 24" X 48" Basin Assembly          |

| 922-0079 |          |                                   | 922-0080 |          |                                   |
|----------|----------|-----------------------------------|----------|----------|-----------------------------------|
| 1        | 815-0004 | E815, 230 Volt, 1 Phase, 20' Cord | 1        | 815-0004 | E815, 230 Volt, 1 Phase, 20' Cord |
| 1        | 10-4465  | Simplex Panel                     | 1        | 10-4465  | Simplex Panel                     |
| 3        | 10-0744  | 20' Float Switch                  | 3        | 10-0744  | 20' Float Switch                  |
| 1        | 10-1456  | Float Tree                        | 1        | 10-1456  | Float Tree                        |
| 1        | 33-2003  | 24" X 60" Basin Assembly          | 1        | 33-2199  | 24" X 72" Basin Assembly          |

# 922 PREPACKAGED SYSTEM MODEL 810/815

## Polyethylene Basin Assembly



SK3265

| ITEM NO. | PUMP | DESCRIPTION   | VOLTAGE     | WEIGHT   |
|----------|------|---|-------------|----------|
| 922-0083 | E810 | 30" x 72" Progressing Cavity Package System, Discharge @ 27"                  | 230V - 1 Ph | 350 lbs. |
| 922-0085 | E810 | 30" x 72" Progressing Cavity Package System, Discharge @ 38" for Cold Climate | 230V - 1 Ph | 350 lbs. |
| 922-0084 | E815 | 30" x 72" Progressing Cavity Package System, Discharge @ 27"                  | 230V - 1 Ph | 350 lbs. |

### Polyethylene Basin Assemblies Breakdown

| 922-0083 |          |                                   | 922-0085 |          |                                   |
|----------|----------|-----------------------------------|----------|----------|-----------------------------------|
| 1        | 810-0004 | E810, 230 Volt, 1 Phase, 20' Cord | 1        | 810-0004 | E810, 230 Volt, 1 Phase, 20' Cord |
| 1        | 10-4465  | Simplex Panel                     | 1        | 10-4465  | Simplex Panel                     |
| 3        | 10-0744  | 20' Float Switch                  | 3        | 10-0744  | 20' Float Switch                  |
| 1        | 10-1456  | Float Tree                        | 1        | 10-1456  | Float Tree                        |
| 1        | 33-3643  | 30" X 72" Basin Assembly          | 1        | 33-3643  | 30" X 72" Basin Assembly          |

| 922-0084 |          |                                   |
|----------|----------|-----------------------------------|
| 1        | 815-0004 | E815, 230 Volt, 1 Phase, 20' Cord |
| 1        | 10-4465  | Simplex Panel                     |
| 3        | 10-0744  | 20' Float Switch                  |
| 1        | 10-1456  | Float Tree                        |
| 1        | 33-3643  | 30" X 72" Basin Assembly          |



MAIL TO: P.O. BOX 16347 • Louisville, KY 40256-0347  
SHIP TO: 3649 Cane Run Road • Louisville, KY 40211-1961  
(502) 778-2731 • 1 (800) 928-PUMP • FAX (502) 774-3624

Visit our website:  
[zoellerpumps.com](http://zoellerpumps.com)

Trusted. Tested. Tough.®

---

© Copyright 2021 Zoeller Co. All rights reserved.