

Trusted. Tested. Tough.®

Product information presented here reflects conditions at time of publication. Consult factory regarding discrepancies or inconsistencies.



SECTION: 2.25.053

FM2112

0620

Supersedes

1206

MAIL TO: P.O. BOX 16347 • Louisville, KY 40256-0347
SHIP TO: 3649 Cane Run Road • Louisville, KY 40211-1961
TEL: (502) 778-2731 • 1 (800) 928-PUMP • FAX: (502) 774-3624

Visit our website:
zoellerpumps.com



922 PREPACKAGED SYSTEMS MODEL 820/840 SHARK® SERIES GRINDER PUMPS

Shark® Series Grinder Pumps

- 820 – 2HP, 230 Volt/1 Phase, 13.7 FLA
840 – 2 HP, 230 Volt/1 Phase, 17.2 FLA, REVERSING
- 20' Power cord
- BE820 comes with a 20' piggyback switch
- Corrosion resistant powder coated epoxy finish
- Discharge size - 1-1/4" NPT
- Oil-Filled - hermetically sealed motor
- Hardened 440C stainless steel cutter and disc
- Vortex impeller – engineered thermoplastic (820) or ductile iron (840).

Control Panel

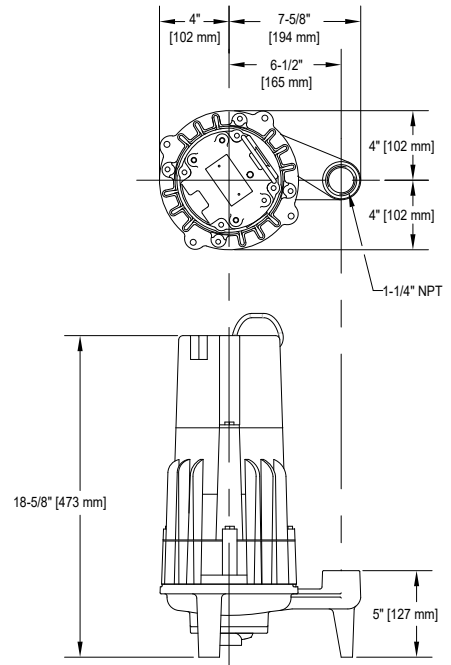
- NEMA 4X watertight enclosure with lockable latch
- Plugger panel available for BE820 model pumps
- Motor contactor (Not available for plugger panel)
- Automatic reversing circuit (840 ONLY)
- Capacitors and motor starting relay (840 ONLY)
- Red alarm light & audible alarm (83 to 85 decibel rating)
- Pump run indicator light
- Horn silence and alarm test toggle switches
- HOA (Hand-Off-Auto) switches
- Lockable latch
- Dry auxiliary contact

Float Switch

- E820 or E840 Systems - (3) 20' Clamp mounted float switches
- BE820 System - (1) 20' Float switch for plugger panel, (1) 20' High Water Switch

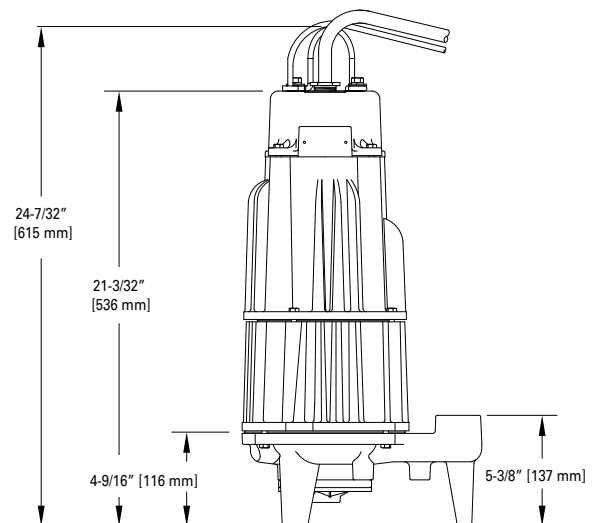
Note: Other configurations are available, consult factory for sizes or options not shown and Zoeller will be more than willing to assist in building a custom pre-fabricated lift station.

Model 820- Single Directional



SK1621

Model 840- Auto-Reversing



SK1322

922 PREPACKAGED SYSTEM - MODEL 820/840

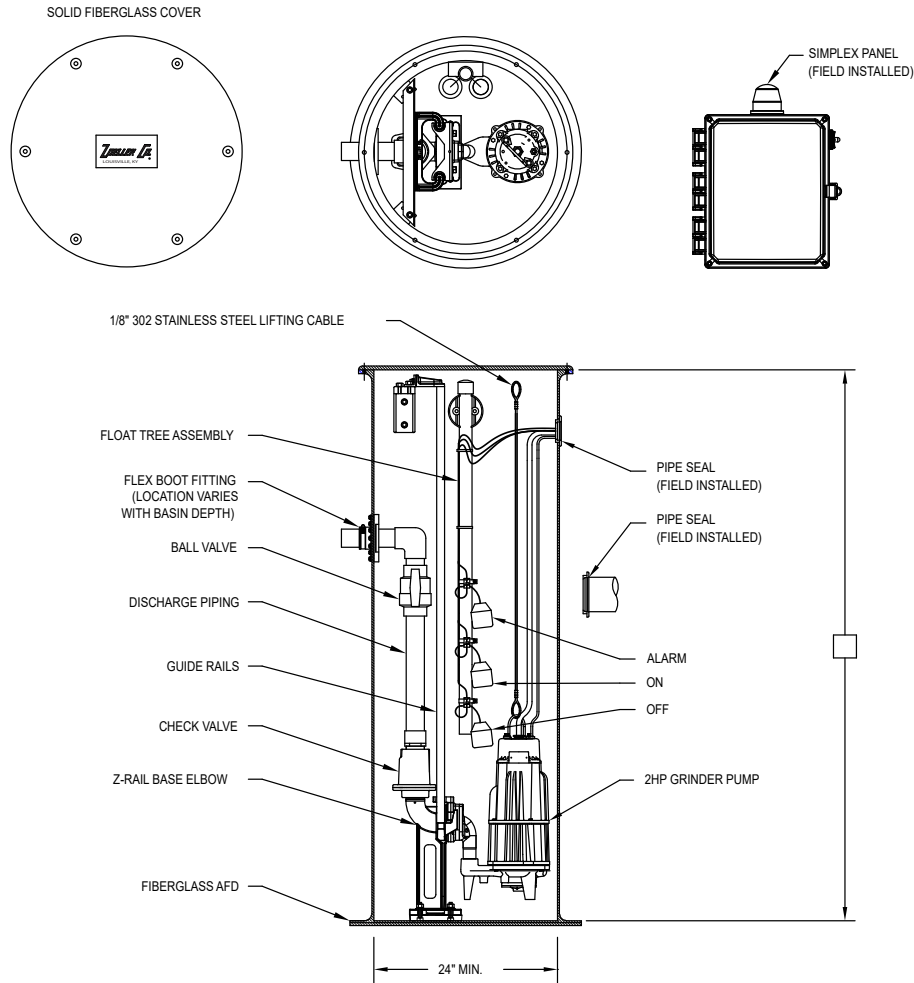
Fiberglass Basin Assembly

- 24" or 36" Diameter basin assembly
- Solid fiberglass cover
- Anti-flotation device
- 2" Sch 80 discharge piping
- Float Tree
- 2" Ball and check valve installed
- 4" Inlet pipe seal loose for field install
- Stainless steel lifting cable

Polyethylene Basin Assembly

- 30" Diameter polyethylene basin assembly
- Solid fiberglass cover
- Anti-flotation device
- 2" Sch 80 discharge piping
- Float Tree
- 2" Ball and check valve installed
- 4" Inlet pipe seal loose for field install
- Stainless steel lifting cable

SIMPLEX FIBERGLASS BASIN ASSEMBLY

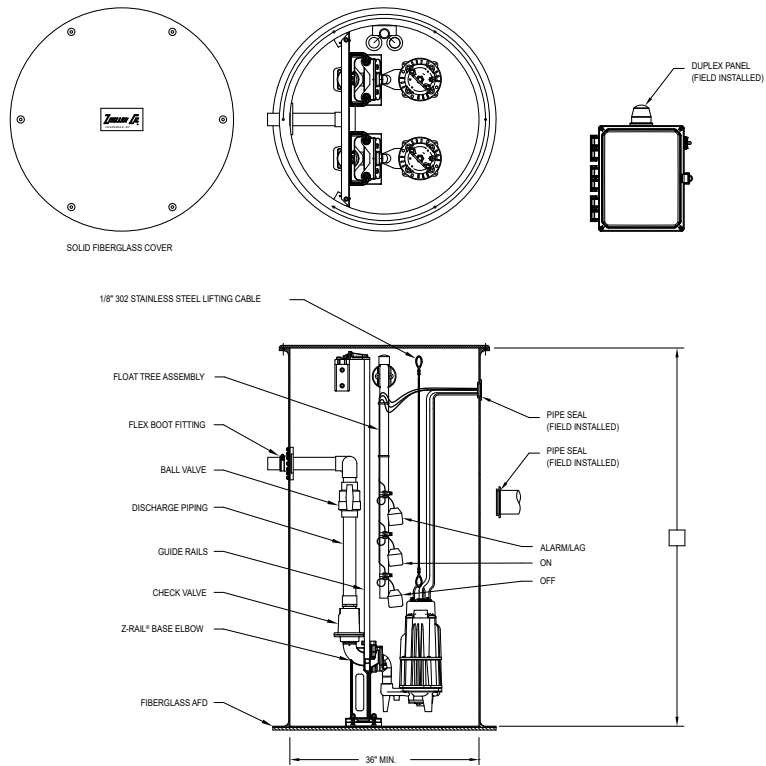


SK3110

ITEM NO.	PUMP MODEL	DESCRIPTION	VOLTAGE	WGT.
922-0086	BE820	24" x 48" Grinder Package System, Discharge @ 24"	230V-1 Ph	284 lbs.
922-0087	BE820	24" x 60" Grinder Package System, Discharge @ 24"	230V-1 Ph	291 lbs.
922-0088	BE820	24" x 72" Grinder Package System, Discharge @ 24"	230V-1 Ph	296 lbs.
922-0081*	E820	24" x 84" Grinder Package System, Discharge @ 48"	230V-1 Ph	311 lbs.
922-0082*	E820	24" x 96" Grinder Package System, Discharge @ 48"	230V-1 Ph	395 lbs.
922-0068	E840	24" x 60" Grinder Package System, Discharge @ 24" - Reversing	230V-1 Ph	321 lbs.
922-0069	E840	24" x 72" Grinder Package System, Discharge @ 24" - Reversing	230V-1 Ph	330 lbs.

* Pump and float switches are 50' long. Designed for cold climate conditions

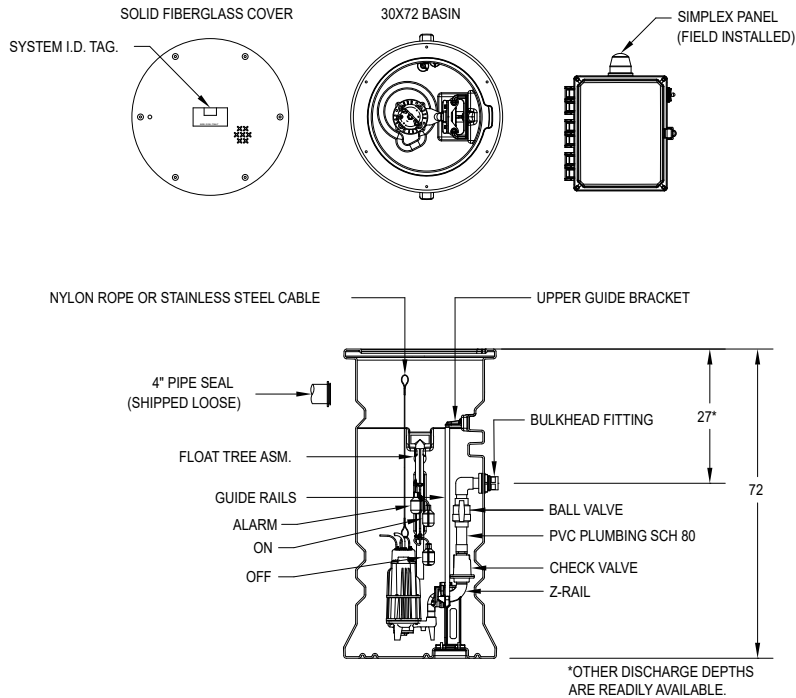
922 PREPACKAGED SYSTEM - MODEL 820/840 DUPLIX FIBERGLASS BASIN ASSEMBLY



SK3111

ITEM NO.	PUMP MODEL	DESCRIPTION	VOLTAGE	WGT.
922-0065	E840	36" x 60" Grinder Package System, Discharge @ 24"	230V - 1 Ph	578 lbs.

POLYETHYLENE BASIN ASSEMBLY



SK3283

ITEM NO.	PUMP MODEL	DESCRIPTION	VOLTAGE	WGT.
922-0071	E820	30" x 72" Grinder Package System, Discharge @ 27"	230V-1 Ph	350 lbs.
922-0072	E820	30" x 84" Grinder Package System, Discharge @ 39"	230V-1 Ph	375 lbs.
922-0073	E840	30" x 72" Grinder Package System, Discharge @ 27" - Reversing	230V-1 Ph	350 lbs.
922-0074	E840	30" x 84" Grinder Package System, Discharge @ 39" - Reversing	230V-1 Ph	375 lbs.

FIBERGLASS BASIN ASSEMBLIES BREAKDOWN

922-0086			922-0087		
1	820-0035	BE820, 230 Volt 1 Phase, 20' cord and Piggy Back Switch	1	820-0035	BE820, 230 Volt 1 Phase, 20' cord and Piggy Back Switch
1	10-1023	Plugger Panel	1	10-1023	Plugger Panel
1	33-2054	24"X48" Basin Assembly	1	33-2057	24"X60" Basin Assembly

922-0088			922-0068		
1	820-0035	BE820, 230 Volt 1 Phase, 20' cord and Piggy Back Switch	1	840-0004	E840, 230 Volt 1 Phase, 20' cord
			1	10-0420	Simplex Reversing Panel
1	10-1023	Plugger Panel	3	10-0744	20' Float Switch
1	33-2163	24"X72" Basin Assembly	1	10-1456	Float Tree
			1	33-2057	24"X60" Basin Assembly

922-0069			922-0081		
1	840-0004	E840, 230 Volt 1 Phase, 20' cord	1	820-0023	E820, 230 Volt 1 Phase, 50' Cord
1	10-0420	Simplex Reversing Panel	1	10-4465	Simplex Panel
3	10-0744	20' Float Switch	3	10-1879	20' Float Switch
1	10-1456	Float Tree	1	10-1456	Float Tree
1	33-2163	24"X72" Basin Assembly	1	33-2066	24"X84" Basin Assembly

922-0082			922-0065		
1	820-0023	E820, 230 Volt 1 Phase, 50' cord	2	840-0004	E840, 230 Volt 1 Phase, 20' Cord
1	10-4465	Simplex Panel	1	10-0512	Duplex Reversing Panel
3	10-1879	50' Float Switch	3	10-0744	20' Float Switch
1	10-1456	Float Tree	1	10-1456	Float Tree
1	33-2072	24"X96" Basin Assembly	1	33-2111	36"x60" Basin Assembly

POLYETHYLENE BASIN ASSEMBLIES BREAKDOWN

922-0071			922-0072		
1	820-0004	E820, 230 Volt 1 Phase, 20' Cord	1	820-0004	E820, 230 Volt 1 Phase, 20' Cord
1	10-4465	Simplex Panel	1	10-4465	Simplex Panel
3	10-0744	20' Float Switch	3	10-0744	20' Float Switch
1	10-1456	Float Tree	1	10-1456	Float Tree
1	33-3735	30"X72" Basin Assembly	1	33-3735	30"X72" Basin Assembly
			1	31-2953	30"X72" Riser

922-0073			922-0074		
1	840-0004	E840, 230 Volt 1 Phase, 20' Cord	1	840-0004	E840, 230 Volt 1 Phase, 20' Cord
1	10-0420	Simplex Reversing Panel	1	10-0420	Simplex Reversing Panel
3	10-0744	20' Float Switch	3	10-0744	20' Float Switch
1	10-1456	Float Tree	1	10-1456	Float Tree
1	33-3735	30"X72" Basin Assembly	1	33-3735	30"X72" Basin Assembly
			1	31-2953	30"X12" Riser



MAIL TO: P.O. BOX 16347 • Louisville, KY 40256-0347
SHIP TO: 3649 Cane Run Road • Louisville, KY 40211-1961
(502) 778-2731 • 1 (800) 928-PUMP • FAX (502) 774-3624

Trusted. Tested. Tough.®

Visit our website:
zoellerpumps.com