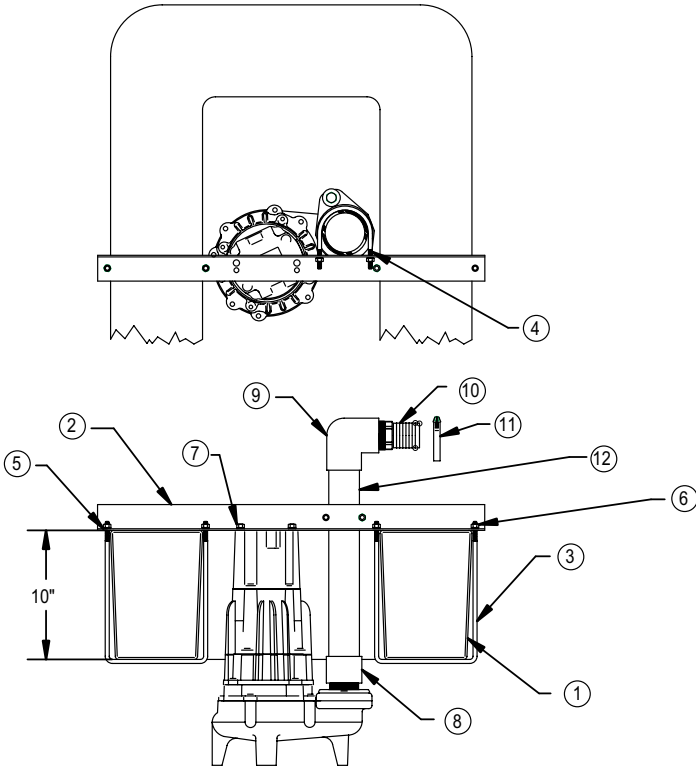


Product information presented here reflects conditions at time of publication. Consult factory regarding discrepancies or inconsistencies.

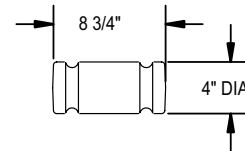
**MAIL TO:** P.O. BOX 16347 • Louisville, KY 40256-0347  
**SHIP TO:** 3649 Cane Run Road • Louisville, KY 40211-1961  
**TEL:** (502) 778-2731 • 1 (800) 928-PUMP • **FAX:** (502) 774-3624

**Visit our web site:**  
**zoellerpumps.com**

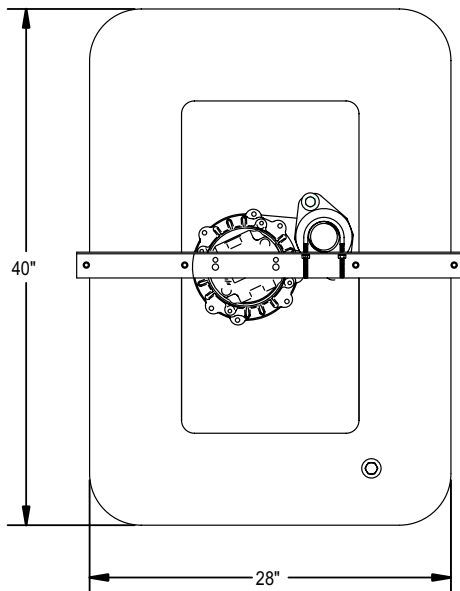
## AGRICULTURAL PONTOON & ACCESSORIES SPECIFICATIONS



10-0625 3" DISCHARGE AG. PONTOON		
#	DESCRIPTION	QTY.
1	FLOAT, PONTOON 4290/4291 POLYETHYLENE	1
2	SUPPORT, ANGLE IRON SS 2 X 2 X 1/8 X 30	1
3	U-BOLT, SUPPORT LOCATOR SS	2
4	U-BOLT, DISCHARGE CLAMP SS	1
5	WASHER, LOCK SS 5/16 ID	8
6	NUT, 5/16-18 HEX-SS	6
7	SCREW, 5/16-18 X 3/4" HEX CAP SS	2
8	FITTING, 3" NPT ADAPTER SCHD 40 PVC	1
9	FITTING, 3" 90D SCHD 40 PVC FPT X SOC	1
10	FITTING, HOSE NIPPLE 3" MPT X BARB - POLYPROPYLENE	1
11	CLAMP, #60 WORM-SS	1
12	PIPE 3" SCHD 40 PVC X 18-7/16"	1



10-0631 AG. HOSE FLOAT ACCESSORIES		
DESCRIPTION	QTY.	
FLOAT, HOSE AG. PUMP 4290/4291	4	
TIE, CABLE 1/2W X 21 1/2LG - OUTDOOR NYLON	8	



10-0624 2" DISCHARGE AG. PONTOON		
#	DESCRIPTION	QTY.
1	FLOAT, PONTOON 4290/4291 POLYETHYLENE	1
2	SUPPORT, ANGLE IRON SS 2 X 2 X 1/8 X 30	1
3	U-BOLT, SUPPORT LOCATOR SS	2
4	U-BOLT, DISCHARGE CLAMP SS	1
5	WASHER, LOCK SS 5/16"	8
6	NUT, 5/16-18 HEX-SS	6
7	SCREW, 5/16-18 X 3/4" HEX CAP SS	2
8	FITTING, 2" NPT ADAPTER SCHD. 40 PVC	1
9	FITTING, 2" 90D SCHD 40 PVC FPT X SOC	1
10	FITTING, HOSE NIPPLE 2" MPT X BARB - POLYPROPYLENE	1
11	CLAMP, #36 WORM-SS	1
12	PIPE, 2" SCHD 40 PVC X 18-7/16"	1