

Product information presented here reflects conditions at time of publication. Consult factory regarding discrepancies or inconsistencies.



MAIL TO: P.O. BOX 16347 • Louisville, KY 40256-0347
SHIP TO: 3649 Cane Run Road • Louisville, KY 40211-1961
TEL: (502) 778-2731 • 1 (800) 928-PUMP • FAX: (502) 774-3624

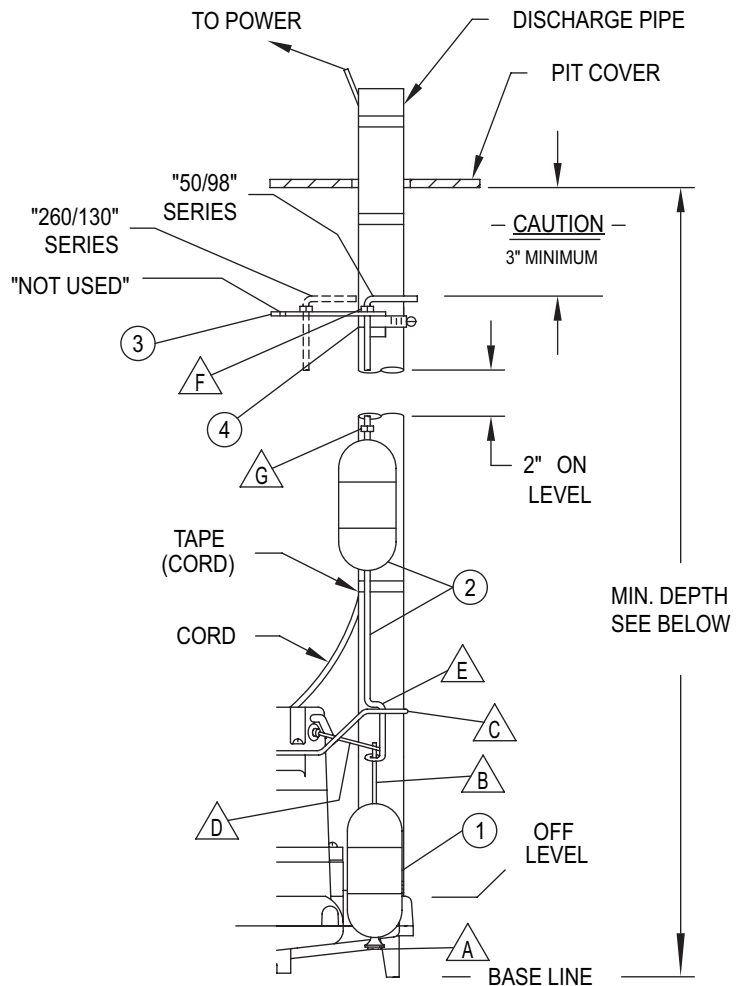
Visit our website:
zoellerpumps.com

10-0001 ADJUSTABLE LONG CYCLE KIT FOR 50, 90, 137, 139 & 267 SERIES AUTOMATIC PUMPS DEWATERING OR EFFLUENT APPLICATIONS ONLY

⚠ WARNING DO NOT SHORTEN UPPER FLOAT ROD. DO NOT USE LONG CYCLE KIT WITH 267 SERIES IN SEWAGE APPLICATIONS.

ASSEMBLY INSTRUCTIONS

1. Place hose clamp (4) on pipe before inserting pipe in pump or unscrew hose clamp and place around pipe, leaving clamp loose.
2. Lay pump on its side. Note how clip & screw are positioned on rubber guide, and then remove float & float rod (B) from pump by removing clip and screw on rubber guide (A).
3. Remove solid white float from float rod (B) and put green and white float (1) from kit on float rod (B).
4. Put upper float & rod assembly (2) down thru switch guard (C) and put lower float rod (with float on) thru loop at bottom of upper float rod assembly. Place hole in lower float rod back on switch arm (D) taking care not to put a strain on the switch arm (D).
5. Refasten rubber guide (A) using clip & screw.
6. Remove stop (F) from upper float & rod assembly. Put upper bracket (3) on upper float & rod assembly (2) as shown, using hole indicated for model pump being used. Replace stop (F) as shown on upper float & rod assembly.
7. Attach upper bracket (3) to discharge pipe using hose clamp (4) (from step #1) and stand pump up. Position bracket (3) so that the "U" shaped section (E) of the upper float & rod assembly (2) is centered on the switch arm (D) in the "Off" or down position. Tighten hose clamp (4).
8. Tape or clamp the power cord to the opposite side of the discharge pipe from the floats, as shown.
9. Install pump in place and position stop (G) on upper float & rod assembly (2) for desired "On" point.



SK1910

Pump Series	Min. Pit Depth	Max. On Point	Min. Off Point	Min. On Point
50 Series	43"	35"	3"	14½"
98	43"	35"	3"	17"
130 Series	45"	36"	3"	17"
260 Series	45"	36"	4"	18½"

Parts List	
Item No.	Description
(1) 034019	Float - Long Cycle
(2) 054076	Upper Float and Rod Assembly
(3) 054077	Upper Bracket
(4) 001766	#36 Hose Clamp

Note: Modification of Basin Cover may be required if Basin is not of adequate depth.