

Notice to Installer: Instructions must remain with installation.

ZT0100_ECb
0719
Supersedes
0818

Trusted. Tested. Tough.™

Product information presented here reflects conditions at time of publication. Consult factory regarding discrepancies or inconsistencies.



50 Hz

Visit our web site:
zoellerpumps.com

MODEL:	_____
DATE CODE:	_____
DATE INSTALLED:	_____



DRAIN PUMP SYSTEM

MODEL 132/133 (Preassembled)

INSTALLATION INSTRUCTIONS

PREINSTALLATION CHECKLIST

1. Inspect your pump. Occasionally, products are damaged during shipment. If the unit is damaged, contact your dealer before using. Do Not remove the test plug in the cover.
2. Carefully read the literature provided to familiarize yourself with specific details regarding installation and use. These materials should be retained for future reference.

 WARNING	 CAUTION
SEE BELOW FOR LIST OF WARNINGS	SEE BELOW FOR LIST OF CAUTIONS
<ol style="list-style-type: none"> 1. To reduce the risk of electrical shock, a properly ground ed receptacle of grounding type must be in stalled and protected by a ground fault circuit interrupter (GFCI) and in accordance with local codes. 2. Make certain that the receptacle is with in the reach of the pump's power supply cord. DO NOT USE AN EXTENSION CORD. Extension cords that are too long or too light do not deliver sufficient voltage to the pump motor and could present a safety hazard if the insulation were to become damaged or the connection end were to fall into the sump. 3. Testing for Ground. As a safety measure, each electrical outlet should be checked for ground using an Underwriters Laboratory Listed circuit analyzer which will indicate if the power, neutral and ground wires are correctly connected to your outlet. If they are not, call a qualified electrician. 4. FOR YOUR PROTECTION, ALWAYS DISCONNECT THE PUMP FROM ITS POWER SOURCE BE FORE HAN DLING. Single phase pumps are supplied with a 3-prong grounded plug to help protect you against the possibility of electrical shock. DO NOT UNDER ANY CIRCUMSTANCES, REMOVE THE GROUND PIN. 5. Installation and checking of electrical circuits and hard ware should only be performed by a qualified licensed electrician. 	<ol style="list-style-type: none"> 1. Check to be sure your power source is adequate for handling the voltage requirements of the motor, as indicated on the pump or basin plate. 2. Make sure the pump electrical supply circuit is equipped with fuses or circuit breakers of proper capacity. A separate branch circuit is recommended, sized according to the current shown on the pump namplate. 3. All plumbing (discharge and vent lines) must be installed to meet local codes. Unit must be vented. Some codes may require this unit to be installed by a qualified licensed plumber. DO NOT USE AN AUTOMATIC PLUMBING VENT DEVICE. 4. CHECK VALVE MUST BE USED TO REDUCE UNNECES-SARY CYCLING OF PUMP. 5. Dewatering pumps are not designed or intended for handling raw sewage. 6. Maximum operating temperature must not exceed 40°C. 7. For health reasons, do not unplug, turn off, or disable pump and use pump tank system as a way to fill up a sink or laundry tray, etc. 8. The rubber coupling used on the check valve is rated for 0.3 kg/cm² (3 m of head) and a maximum temperature of 54.4°C, if the static head is more than 3 m, use glue fittings instead of the rubber couplings.
REFER TO WARRANTY ON PAGE 2.	

DO NOT USE FOR PUMPING OILS, GASOLINE OR ANY PETROLEUM BY-PRODUCTS.

Limited Warranty

Manufacturer warrants, to the purchaser and subsequent owner during the warranty period, every new product to be free from defects in material and workmanship under normal use and service, when properly used and maintained, for a period of one year from date of purchase by the end user, or 18 months from date of original manufacture of the product, whichever comes first. Parts that fail within the warranty period, one year from date of purchase by the end user, or 18 months from the date of original manufacture of the product, whichever comes first, that inspections determine to be defective in material or workmanship, will be repaired, replaced or remanufactured at Manufacturer's option, provided however, that by so doing we will not be obligated to replace an entire assembly, the entire mechanism or the complete unit. No allowance will be made for shipping charges, damages, labor or other Charges that may occur due to product failure, repair or replacement.

This warranty does not apply to and there shall be no warranty for any material or product that has been disassembled without

prior approval of Manufacturer, subjected to misuse, misapplication, neglect, alteration, accident or act of God; that has not been installed, operated or maintained in accordance with Manufacturer's installation instructions; that has been exposed to outside substances including but not limited to the following: sand, gravel, cement, mud, tar, hydrocarbons, hydrocarbon derivatives (oil, gasoline, solvents, etc.), or other abrasive or corrosive substances, wash towels or feminine sanitary products, etc. in all pumping applications. The warranty set out in the paragraph above is in lieu of all other warranties expressed or implied; and we do not authorize any representative or other person to assume for us any other liability in connection with our products.

MANUFACTURER EXPRESSLY DISCLAIMS LIABILITY FOR SPECIAL, CONSEQUENTIAL OR INCIDENTAL DAMAGES OR BREACH OF EXPRESSED OR IMPLIED WARRANTY; AND ANY IMPLIED WARRANTY OF FITNESS FOR A PARTICULAR PURPOSE AND OF MERCHANTABILITY SHALL BE LIMITED TO THE DURATION OF THE EXPRESSED WARRANTY.

In those instances where damages are incurred as a result of an alleged pump failure, the Homeowner must retain possession of the pump for investigation purposes.

Service Checklist



▲ WARNING ELECTRICAL PRECAUTIONS - Before servicing a pump, always shut off the main power breaker and then unplug the pump - making sure you are not standing in water and wearing insulated protective sole shoes. Under flooded conditions, contact your local electric company or a qualified licensed electrician for disconnecting electrical service prior to pump removal.

▲ WARNING Submersible pumps can become pressurized under normal operating conditions - allow 2.5 hours after disconnecting before attempting service.

CONDITION	COMMON CAUSES	REMEDY
A. Pump will not start or run.	Low voltage, blown fuse, open circuit	Have a electrician check house wiring.
	Impeller bound	Contact a Zoeller Distributor.
	Motor or wiring shorted	
	Debris on float switch	Remove debris.
B. Motor overheats and trips overload or blows fuse.	Incorrect voltage, negative head (discharge open lower than normal) impeller or seal bound mechanically, defective capacitor or relay, motor shorted.	Contact a Zoeller Distributor.
C. Pump starts and stops too often.	Float too tight on rod, check valve stuck, or none installed in long distance line, overload open, switch defective.	Contact a Zoeller Distributor.
D. Pump will not shut off.	Debris under float	Remove debris from around float.
	Faulty float switch	Contact a Zoeller Distributor.
E. Pump operates but delivers little or no water.	Debris around intake	Clean area around intake.
	Blockage in discharge pipe	Remove pipe and flush out debris.
	Low or incorrect voltage	Have a electrician check house wiring.
	Damaged Impeller	Contact a Zoeller Distributor.
	Incorrect motor rotation. Capacitor defective. Incoming water containing air or causing air to enter pumping chamber.	Contact a Zoeller Distributor.
	Pump is air locked	Make sure vent hole in discharge pipe is clear.
F. Drop in head and/or capacity after a period of use.	Vertical lift too high	Change discharge piping or Contact a Zoeller Distributor.
	Increased pipe friction, clogged line or check valve. Abrasive material and adverse chemicals could possibly deteriorate impeller and pump housing.	Check line. Remove base and inspect.
G. tank or fittings leak.		Carefully tighten pipe joints (use pipe dope) and screws. Check gasket location, tighten lid evenly. Do not over tighten fittings or screws.

If the above checklist does not uncover the problem, consult the factory - Do not attempt to service or otherwise disassemble pump. Service must be by Zoeller Authorized Service Stations.

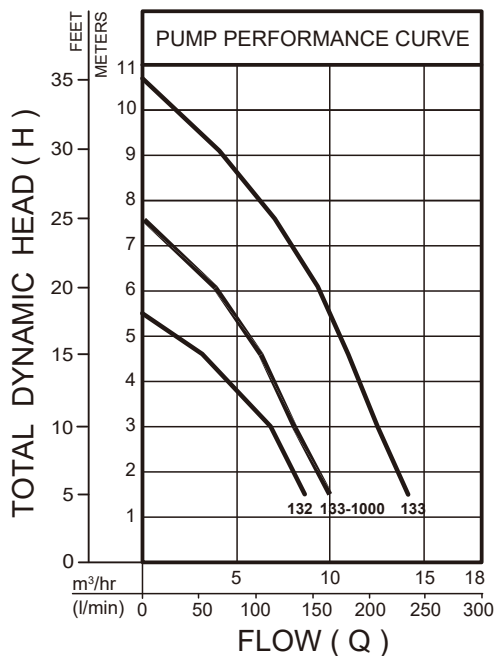
Helpful Hints For Easy Installation

- | | |
|--|---|
| <ol style="list-style-type: none"> 1. Read all instructions before beginning installation. 2. Be certain that basin is on a firm level surface. 3. Do not use an automatic plumbing vent device. 4. Always use a check valve on the discharge line. 5. Test operation of pump per STEP 3. | <ol style="list-style-type: none"> 6. Always provide some means to disconnect basin from plumbing for maintenance purposes. 7. Run unit at least once a month to verify proper operation. 8. The model number and date code can be found on the lid warning label. 9. Plug pump into a properly grounded GFCI receptacle. |
|--|---|

Do's And Don't's For Installing A Unit

- | | |
|---|---|
| <ol style="list-style-type: none"> 1. DO read all installation material included with the pump. 2. DO inspect unit for any visible damage caused by shipping. Contact dealer if unit appears to be damaged. 3. DO always disconnect pump from power source before handling. DO always connect to a separately protected and properly grounded ground fault protected circuit. DO NOT ever cut, splice or damage power cord. DO NOT carry or lift pump by its power cord. DO NOT use an extension cord. | <ol style="list-style-type: none"> 4. DO NOT use a discharge pipe smaller than the pump discharge size. 5. DO test pump immediately after installation to be sure that the system is working properly. 6. DO review all applicable local and national codes and verify that the installation conforms to each of them. |
|---|---|

Performance Characteristics



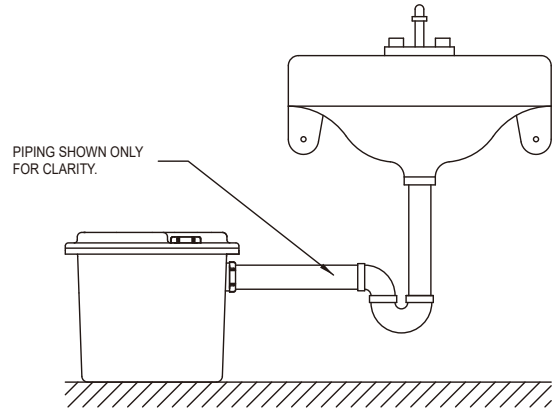
TOTAL DYNAMIC HEAD/FLOW DEWATERING ONLY							
MODEL		132		133		133-1000	
Feet	Meters	Liters	m ³ /hr	Liters	m ³ /hr	Liters	m ³ /hr
5	1.5	144	8.6	235	14.1	159	9.5
10	3.0	114	6.8	208	12.5	129	7.7
15	4.6	53	3.2	182	10.9	98	5.9
20	6.1	--	--	155	9.3	61	3.7
25	7.6	--	--	117	7.0	--	--
30	9.1	--	--	68	4.0	--	--
Shut-off Head:		18 ft.(5.5m)		35 ft.(10.7m)		25 ft.(7.6m)	

STEP 1

Determine Installation Configuration

NOTE: This preassembled unit is designed for use with an external trap.

Figure 1 is a typical configuration for installation of the drain system. The actual configuration will vary depending on your cabinet and sink configuration.



STANDARD INSTALLATION

Figure 1

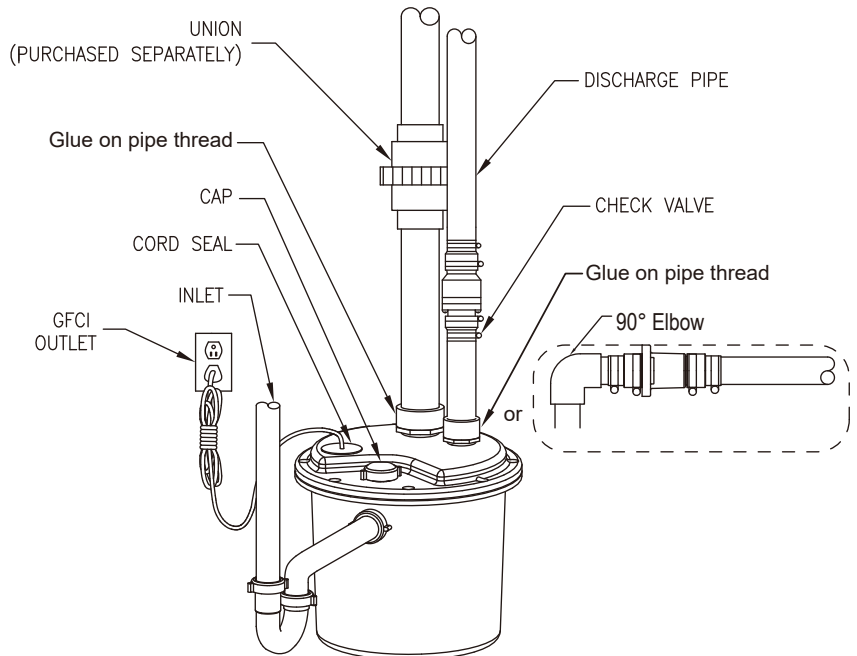
SK2001

STEP 2

Final Assembly

NOTE: External plumbing configuration will vary depending on the location of basin, location of main stack and available space.

Place the basin assembly in its final position and complete plumbing. Secure all connections shown in Figure 2.



STANDARD INSTALLATION

EA0032

Figure 2

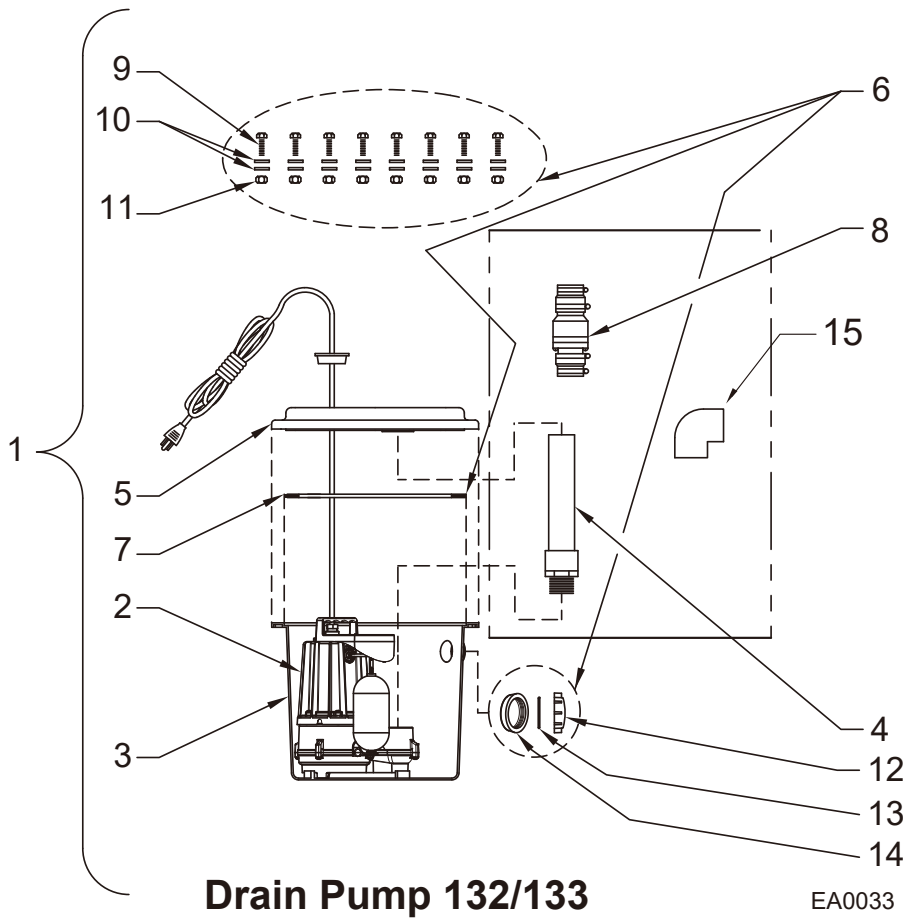
STEP 3

Initial Testing of Drain Basin System

1. Plug the cord into a properly grounded GFCI receptacle.
2. Fill the basin with 7.5 ~ 11 liters of water and let sit for 3 ~ 4 minutes to enable the environmentally safe peanuts to begin dissolving.
3. Slowly fill the basin with water.
4. Check all plumbing for leaks as the basin fills.
5. Verify that the pump starts and stops.
6. Check the discharge line for leaks as the pump empties the basin.
7. Repeat steps 2 through 6 as necessary to ensure proper operation.
8. If problems persist, refer to the troubleshooting guide located on page 2 of this manual.

Illustrated Parts Breakdown

MODELS 132/133																	
ITEM	DESCRIPTION	QTY	132-0007	132-0008	132-0009	133-0006	133-0007	133-0008	133-0009	133-0013	133-0012	133-1000	132-0010	132-0011	133-0010	133-0011	
1	Drain Pump	1															
2	Replacement Pump	1	084470	084471	084472	084473	084474	084475	084476	084478	084477	084479	084480	084481	084482	084483	
3	Basin-Tank	1	013017								013017		151238				
4	Discharge Tube	1	013732								013732	084195	013732				
5	Basin-Lid	1	013018								013018		151239				
6	Hardware Pack	1	013731								013731		152612				
7	Basin Seal	1	081527								081527		081527				
8	Unicheck	1	30-0181								30-0181		30-0181				
9	1/4-20X1" Screw S.S.	8	004531								004531		004531				
10	1/4-Flat Washer S.S.	16	004480								004480		004480				
11	1/4-20 Nut S.S.	8	001812								001812		001812				
12	Pipe Cap w/o-ring	2	081524								081524		081685				
13	O-Ring	2	013938								013938		013938				
14	Packing	1	081561								081561		081561				
15	90° Elbow	1	N/A								084069		N/A				



安装前务必详读说明书

Trusted. Tested. Tough.™

型录仅供参考
若有任何修改
恕不另行通知



50 Hz

zoellerpumps.com



型号: _____
制造日期: _____
安装日: _____

安装说明书

132/133 型预组式污水提升器

安装前检查

1. 安装前请仔细检查所有零件。产品如果在运送中受损，请尽速联络经销商。
2. 安装前仔细阅读所有提供的文件，熟悉安装细节，并保存资料以供未来参考。

 WARNING 警告	 CAUTION 注意
<p>1. 为防范使用者触电，本公司所有产品皆配有包含接地功能的电线及三插插头。为确保安全，请勿将插头的接地插销拔除，并确认将插头插入符合国内电工法规的漏电保护插座。</p> <p>2. 为确保安全请勿使用延长线。加装延长线容易使泵浦马达接收不到足够的电压。更重要的是，若延长线的绝缘遭破坏、或插头松脱掉入水中，将可能造成危险。</p> <p>3. 请在安装前测试插座的接地功能。为了安全考量，请使用符合国内电工法规的电路测试仪器来检查插座中的火线、中性线及地线是否配置正确。若发现异常，请联络合格的水电技师来为您解决问题。</p> <p>4. 为保护安装者，处理前请切断泵浦电源。若泵浦电线直接连结至电源线路，切断控制盒的电路。泵浦由具有三叉的插头接地，以防止触电危险。任何情况下均不得拔除接地接脚。为防止电击危险，须安装适当接地的接地型插座，并依国内电工法规及相关规定，以接地漏电电流断路器保护。</p> <p>5. 仅得由有执照的合格电气技师进行安装及检查电路和硬体。</p>	<ol style="list-style-type: none">1. 确认电力足以供应泵浦或识别标签上所示的所需马达电流。2. 请确认在供给泵浦电源的电路中加装适当规格的保险丝或断路器。在此建议依照泵浦铭牌上的电流值，并参照国内电工法则来选择及安装独立的断路器。3. 须依当地法令规章安装所有的管道(排放管及通气管)。装置必须有通气设备，勿使用自动管路通气设备。4. 必须安装止回阀，减少泵浦不必要的循环运转。5. 本产品非设计於处理污物排除。6. 最高操作温度不得超过摄氏40度。7. 基於卫生考量，在泵浦断电、关闭或无法作用後，请勿持续注水灌满水槽。此非灌满水槽的适当方式。8. 内附止回阀使用的橡胶材质接头，可承受最大压力0.3 斤(扬程3米)最高温度摄氏54.4度，若静落差超过3米，需自行搭配塑料材质接头。
	<p>保固请参阅第7页。</p>

请勿使用於油类、汽油、石油产品或含任何化学成分的液体。

保固说明

本产品的保固为自购买日起算的一年、或从工厂制造日期起算的18个月，以先到期者为准。若能证明产品的缺陷是由材料或制造过程造成，本公司将负责维修或更换。本公司保留决定是否维修或更换产品、零件或配件的权利。维修或更换期间买方所产生的费用或损失不在保固范围内。本公司无法控制的损坏不在保固范围内。

保固不适用于：

- (1) 未依照说明书安装、操作或维护所造成的故障或损坏。
- (2) 不当操作、意外或疏忽所造成故障或损坏。
- (3) 加装不属于本产品的零、配件。
- (4) 未依照当地法规进行安装所造成的危害。

(5) 将产品用在非原本设计的用途上所造成的损坏。(例：抽取沙、碎石、水泥、泥巴、沥青、碳氢化合物及其衍生物、汽油、化学溶剂或其他有腐蚀性的液体、毛巾、女性卫生用品等。)


保固零、配件的退回：在本保固之下任何修理或更换需送回本公司或其他本公司所指定的维修服务点，运费需自付。在任何情况下本公司不承担其他责任，包含资产或设备的损坏、利润损失、等.....


本公司的责任不超过产品的实售价格。

上述为本产品唯一的保固说明，任何人的修改或另做承诺皆为无效。

在因涉嫌产品故障而招致损害的情况下，财产拥有人必须保留该产品以供调查之用。

检查清单

 **警告** 在维修泵浦之前，须关闭总电源断路器，拔除泵浦插头——确保人未站在水中，且穿上绝缘保护底的鞋子。在淹水状况下，联络当地的电力公司，或有执照的合格电气技师，在移除管之前进行断电。

 **警告** 本泵浦含冷却油，在运作状态下会受压变热——断电後等待2.5小时再进行维修。如果以下检查点都无法排除问题，请与本公司联络，不要尝试维修或拆除泵浦及其他零件。

异常状况	可能原因	补救措施
A. 泵浦未开始运作。	低电压、保险丝烧断、电路中断。	由合格电气技师检查保险丝和电路。
	叶轮卡住。	联络经销商。
	马达或电线短路。	
	浮球开关上有杂物。	去除杂物
B. 马达过热造成跳电或保险丝烧断。	电压错误、负扬程(出水口高度低於泵浦)、叶轮或轴封卡死、电容器、继电器或马达短路。	联络经销商。
C. 泵浦启动停止次数太频繁。	止回阀阻塞、无止回阀、热过载保护器启动或浮球有瑕疵。	联络经销商。
D. 泵浦不停止。	浮球下方有杂物。	去除浮球周围的杂物。
	浮球开关故障。	联络经销商。
E. 泵浦运转正常，但抽不到水或水流量太少。	进水口周围有杂物。	清理进水口附近区域。
	排放管堵塞。	必要时卸除排放管，冲走杂物。
	电压太低或不当电压。	由合格电气技师检查家庭管线。
	叶轮受损。	联络经销商。
	马达运转不当、电容器瑕疵、入水含空气或造成空气进入水机室。	联络经销商。
	泵浦气锁。	确保排放管中的通气孔畅通。
	安装扬程超过系统设计的扬程。	更换排放管或联络经销商。
F. 扬程或流量使用一般时间後降低。	管路或止回阀阻塞。磨蚀性物质及有害的化学物质造成叶轮及水机损坏。	检查管路、打开并检查水机。
G. 桶槽或配件漏水。		小心锁紧管路连接处(用水管润滑剂)及螺丝，检查垫片位置，平均的锁紧上盖，切勿过度施力锁的太紧。

如果检查後仍无法排除问题，请与经销商联络，切勿自行拆卸泵浦。

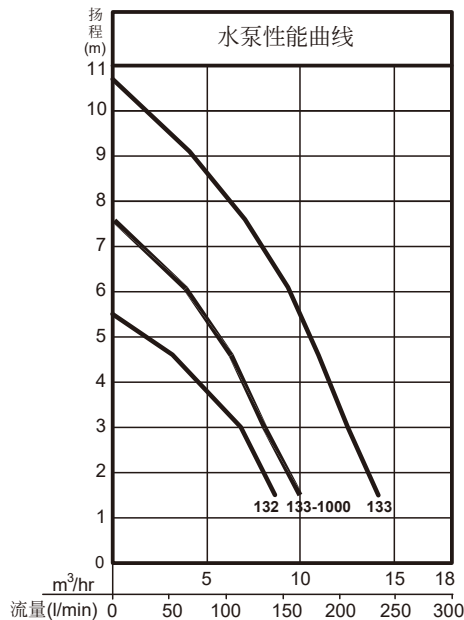
轻松安装的要诀

1. 安装前阅读所有指示。
2. 确保安装地面平坦。
3. 请避免使用自动管道通气设备。
4. 出水口管路上必须安装止回阀。
5. 依下列安装步骤 3 完成泵浦测试。
6. 活动式配管以确保日後维修时方便拆除。
7. 务必至少一个月确认泵浦有正常运转一次。
8. 型号及日期码标签贴於桶身。
9. 确保插座有电源断路器设计。

安装注意事项

1. 请务必阅读本装置之所有安装资料。
2. 请务必检查装置是否在运送中产生可见的损坏。若装置显示受损，请洽经销商。
3. 处理前切断泵浦电源。连结到独立受保护的接地漏电电流断路器。请勿切断、拼接或损坏电源线。请勿用电源线拉动或举起泵浦。请勿使用延长线。
4. 切勿使用小於出水口径尺寸的水管安装。
5. 请务必在安装後立即测试泵浦，以确认系统正常运作。
6. 请务必详阅所有适用当地及国家规则，确认安装符合各项规定。

性能曲线



总动力扬程 / 每分钟流量

型号		132		133		133-1000	
呎	公尺	公升	立方公尺 / 小时	公升	立方公尺 / 小时	公升	立方公尺 / 小时
5	1.5	144	8.6	235	14.1	159	9.5
10	3.0	114	6.8	208	12.5	129	7.7
15	4.6	53	3.2	182	10.9	98	5.9
20	6.1	--	--	155	9.3	61	3.7
25	7.6	--	--	117	7.0	--	--
30	9.1	--	--	68	4.0	--	--
最大扬程:		18 ft.(5.5m)		35 ft.(10.7m)		25 ft.(7.6m)	

步骤 1

安装步骤

注意：预组式产品限用于弯管侧接入水。

图 1 为污水提升器标准式安装，仅供参考，实际安装仍需依洗手台等现场为主调整。

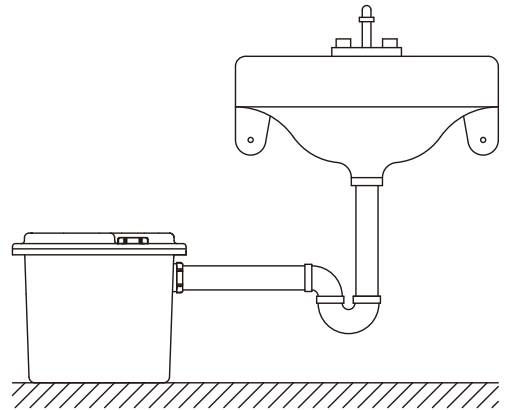


图 1
标准安装

SK2001

步骤 2

组装图示

注意：实际外部管路结构，依现场空间大小与本产品相对位置而定。

将图 2 组装定位并完成接管，确认所有连接处锁紧。

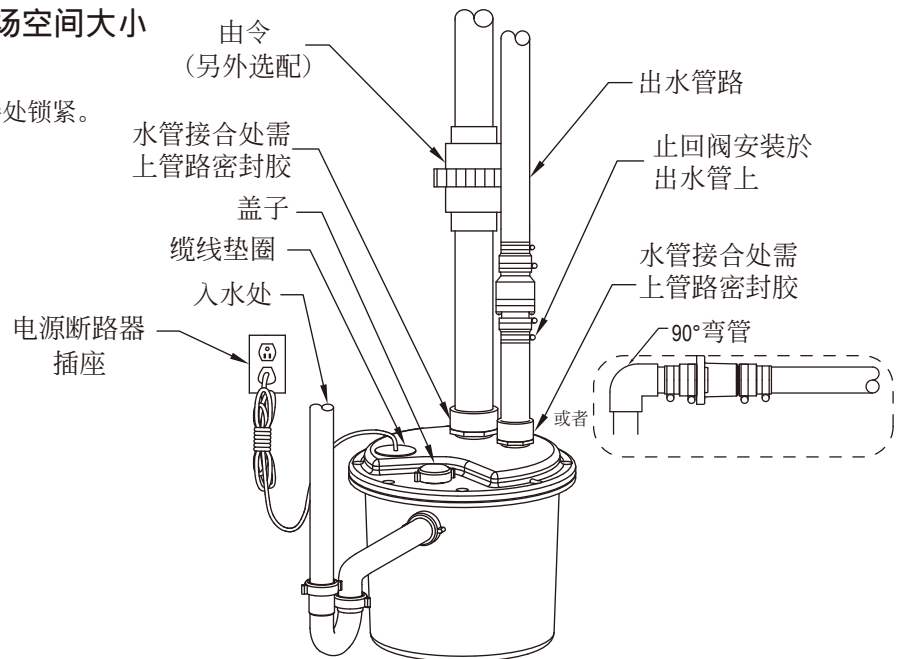


图 2
标准安装

EA0032

步骤 3

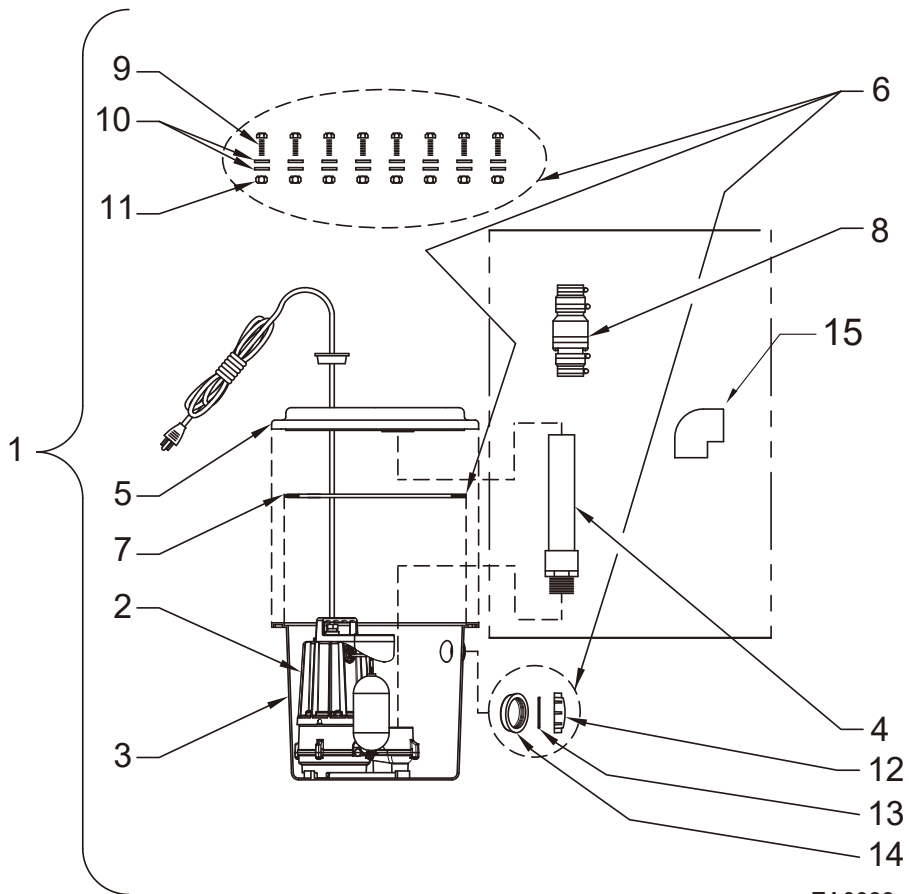
首次启用测试步骤

1. 插头插入电源断路器插座。
2. 加入7.5~11公升的水後，静置3~4分钟。
3. 慢慢再加入水。
4. 检查所有管路在注水时是否会漏水。
5. 确认泵浦正常启动和停止运作。
6. 检查泵浦运作时出水管是否漏水。
7. 视情况重复要点2~6的步骤，以确保安装无误。
8. 如有发生问题，请参照第2页异状排除指示操作。

零件分解图示

132/133 型																
项目	品名	数量														
1	污水提升器	1	132-0007	132-0008	132-0009	133-0006	133-0007	133-0008	133-0009	133-0013	133-0012	133-1000	132-0010	132-0011	133-0010	133-0011
2	替换水泵	1	084470	084471	084472	084473	084474	084475	084476	084478	084477	084479	084480	084481	084482	084483
3	桶子	1	013017				013017				151238					
4	出水管	1	013732				013732		084195		013732					
5	桶盖	1	013018				013018				151239					
6	五金配件	1	013731				013731				152612					
7	桶身密封件	1	081527				081527				081527					
8	止回阀	1	30-0181				30-0181				30-0181					
9	*不锈钢螺丝	8	004531				004531				004531					
10	*不锈钢华司	16	004480				004480				004480					
11	*不锈钢螺母	8	001812				001812				001812					
12	*入水口盖附O型环	2	081524				081524				081685					
13	*O型环	2	013938				013938				013938					
14	*迫紧	1	081561				081561				081561					
15	*90°弯管	1	N/A				084069				N/A					

“*” 零件请统一订购第6项零件包即可。



污水提升器 132/133 型

EA0033