

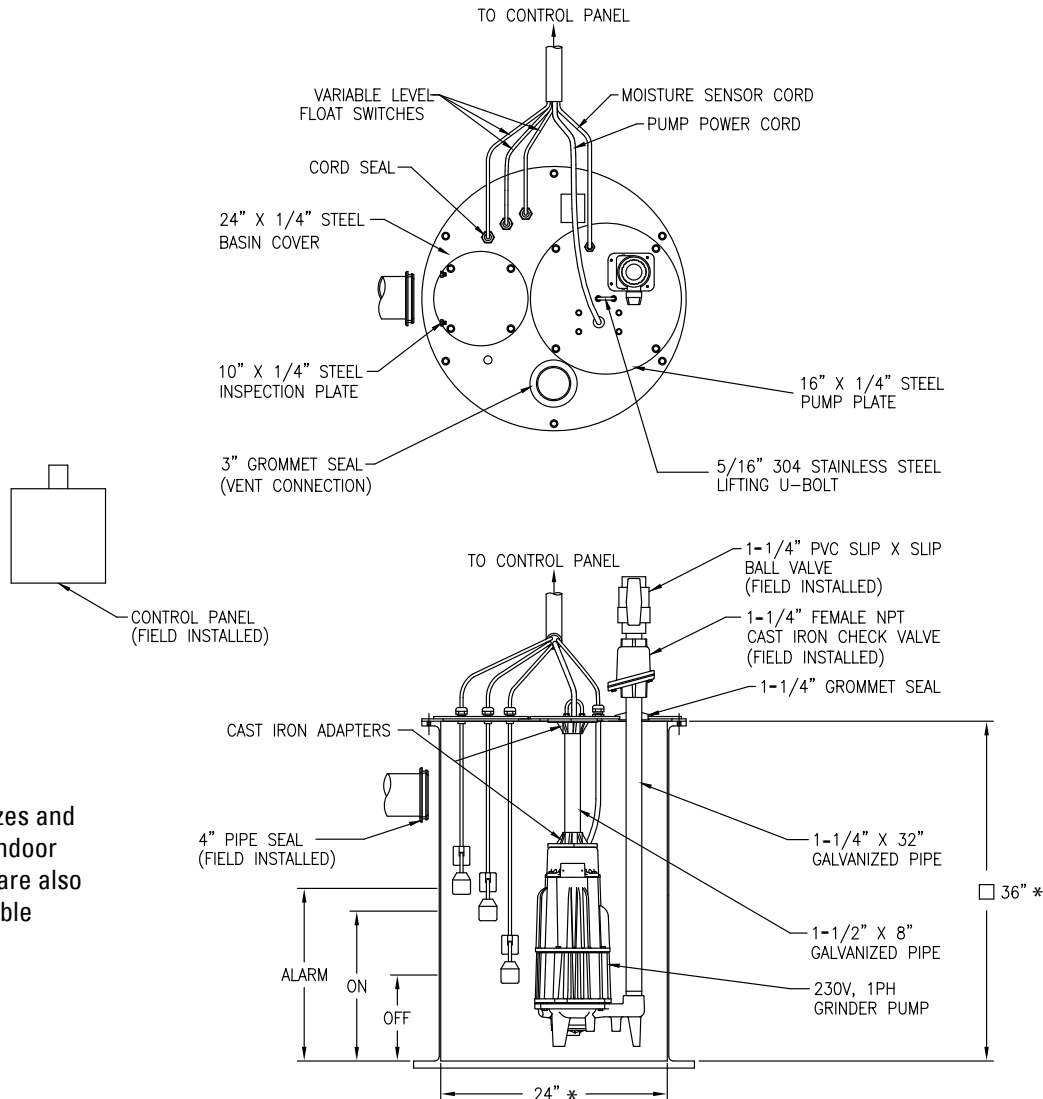
Product information presented here reflects conditions at time of publication. Consult factory regarding discrepancies or inconsistencies.



MAIL TO: P.O. BOX 16347 • Louisville, KY 40256-0347  
SHIP TO: 3649 Cane Run Road • Louisville, KY 40211-1961  
TEL: (502) 778-2731 • 1 (800) 928-PUMP • FAX: (502) 774-3624

Visit our website:  
zoellerpumps.com

## SIMPLEX 840 GRINDER SYSTEM INDOOR PREPACKAGED



\*Optional sizes and duplex indoor packages are also available

SK1695

### Complete System As Shown Above Includes:

Qty.	Part No.	Description
1	840-0004	230 Volt, 1 Ph, 2 HP Grinder Pump
1	10-0393	NEMA 4X Simplex Control Panel with Automatic Reversing (Not Shown)
1	10-0347	Switch Assembly (3)
1	32-0005	Basin Assembly - 24" X 36"

Approximate Weight: 275 lbs.