

Trusted. Tested. Tough.®

Product information presented here reflects conditions at time of publication. Consult factory regarding discrepancies or inconsistencies.



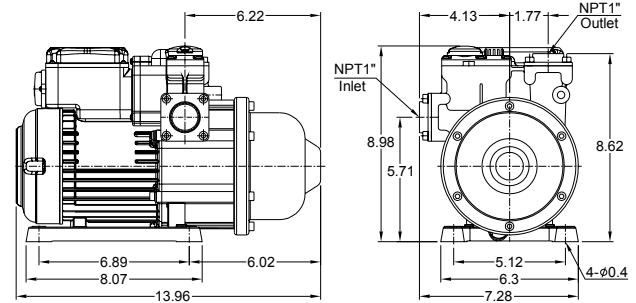
SECTION: 2.40.015  
FM3252  
0720  
Supersedes  
New

## TECHNICAL DATA SHEET

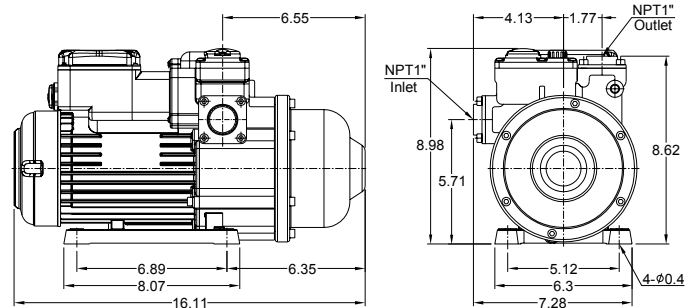
Models 350 and 355  
City Water Booster Pumps

### PRODUCT SPECIFICATIONS

<b>MOTOR</b>	Horse Power	1/2 (Model 350) or 1 (Model 355)
	Voltage	115
	Phase	1 Ph
	Hertz	60 Hz
	Amps	6.0 (Model 350) or 10.0 (Model 355)
<b>PUMP</b>	Max. Pressure	112 PSI
	Max. GPM	27 GPM
	Inlet Size	1"
	Outlet Size	1"
	Cord Length	5 ft
	Max. Operating Temp.	104 F (40 C)
<b>MATERIALS</b>	Pressure Tank	Stainless Steel
	Impeller	Stainless Steel
	Bearing	Stainless Steel
	Shaft Sleeve	Stainless Steel



Model 350



Model 355

NOTE: See model comparison chart for specific details.

IL1212

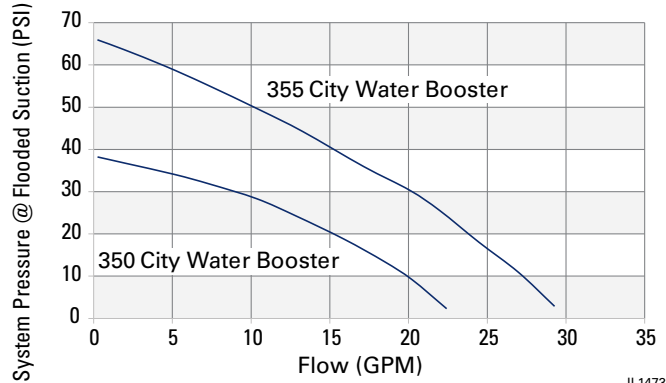


**DO NOT EXCEED 30 PSI INCOMING PRESSURE**

Inlet PSI	Model 350 System Pressure (PSI) at Flow Rates (GPM)							HP
	3	6	9	12	15	18	21	
10	43	36	35	31	26	-	-	1/2
20	53	46	45	41	36	-	-	
30	63	56	55	51	46	-	-	

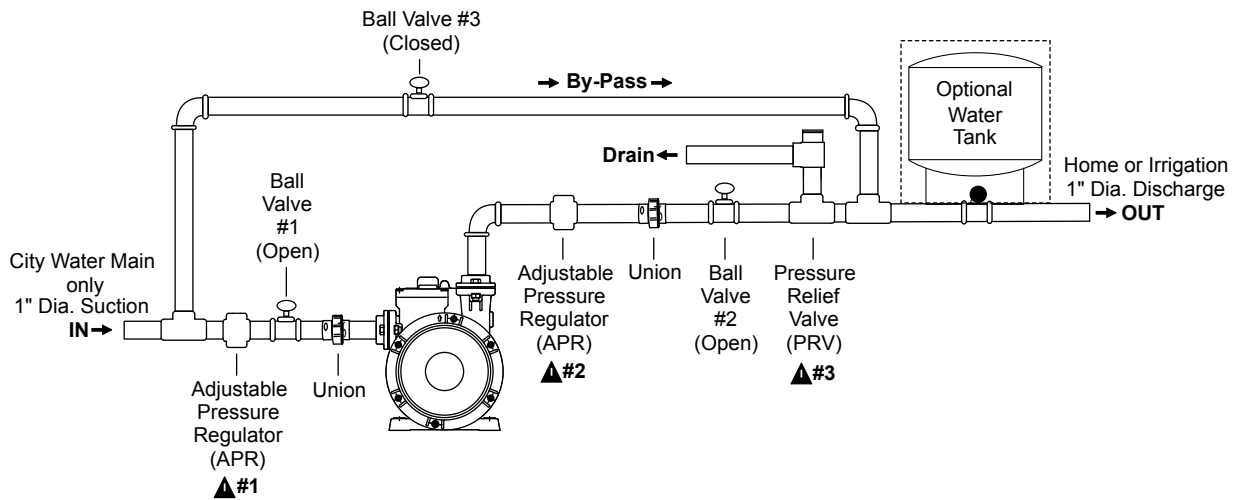
**DO NOT EXCEED 50 PSI INCOMING PRESSURE**

Inlet PSI	Model 355 System Pressure (PSI) at Flow Rates (GPM)							HP
	3	6	9	12	15	18	21	
10	72	67	61	56	50	45	39	1
20	82	77	71	66	60	55	49	
30	92	87	81	76	70	65	59	
40	102	97	91	86	80	75	69	
50	112	107	101	96	90	85	79	



IL1473

**Typical Installation**



Model	MODEL COMPARISON						
	Volts	Ph	Amps	HP	Hz	Lbs	Kg
350	115	1	6.0	1/2	60	55	25
355	115	1	10.0	1	60	55	25