

Product information presented here reflects conditions at time of publication. Consult factory regarding discrepancies or inconsistencies.

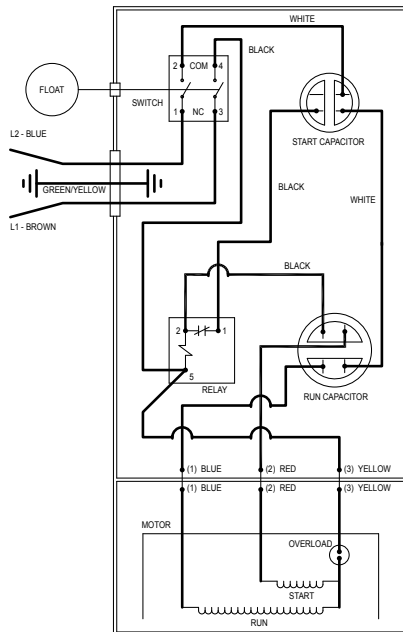


MAIL TO: P.O. BOX 16347 • Louisville, KY 40256-0347
SHIP TO: 3649 Cane Run Road • Louisville, KY 40211-1961
TEL: (502) 778-2731 • 1 (800) 928-PUMP • FAX: (502) 774-3624

Visit our website:
zoellerpumps.com

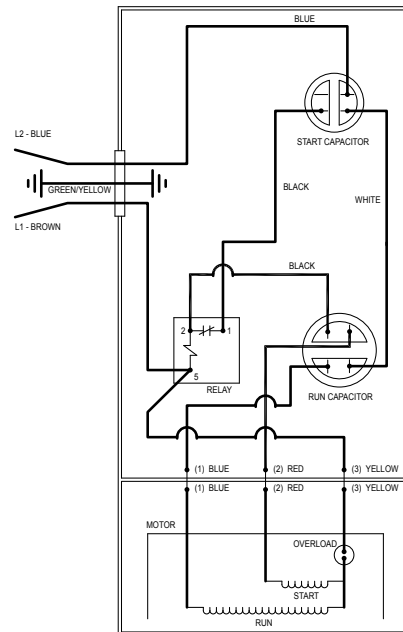
REPLACEMENT PARTS LIST FOR MODELS:

U803 AUTOMATIC 220V
V803 NONAUTOMATIC 220V
U805 AUTOMATIC 220V
V805 NONAUTOMATIC 220V
U807 AUTOMATIC 220V
V807 NONAUTOMATIC 220V



153223

WIRING DIAGRAM FOR MODELS
"U803", "U805", "U807"
All revisions



153224

WIRING DIAGRAM FOR MODELS
"V803", "V805", "V807"
All revisions

REPLACEMENT PARTS LIST FOR MODELS "U803","U805","U807","V803","V805", AND "V807"

				MODELS: U803-A U805-A U807-A		V803-A V805-A V807-A	
REF. NO.	DESCRIPTION	QTY	NOTES	12/16 thru Current	12/16 thru Current		
1	COVER ASSEMBLY - AUTOMATIC (CORD, 15' LENGTH SJOW NO PLUG)	1		156934	N/A		
	COVER ASSEMBLY - AUTOMATIC (CORD, 15' LENGTH H07RN-F3G1,5; I PLUG)			154484	N/A		
	COVER ASSEMBLY- NON-AUTOMATIC (CORD, 15' LENGTH SJOW NO PLUG)			N/A	156935		
	COVER ASSEMBLY- NON-AUTOMATIC (CORD, 15' LENGTH H07RN-F3G1,5; I PLUG)			N/A	154485		
2	• HANDLE	1		267032	267032		
3	• RETAINER - NON-AUTOMATIC	2		N/A	267053		
4	• GUARD - AUTOMATIC	1		267008	N/A		
5	• ARM AND SEAL ASSEMBLY AUTOMATIC	1		004741	N/A		
6	CORD SEAL ASSEMBLY - AUTOMATIC AND NON-AUTOMATIC (CORD, 15' LENGTH SJOW NO PLUG)	1		156933	156933		
	CORD SEAL ASSEMBLY - AUTOMATIC AND NON-AUTOMATIC (CORD, 15' LENGTH H07RN-F3G1,5; I PLUG)			152015	152015		
7	• CORD SEAL ASSEMBLY (CORD, 16-3 SJOW)	1		153747	153747		
	• CORD SEAL ASSEMBLY (CORD, H07RN-F3G1,5)			151312	151312		
8	SWITCH ASSEMBLY	1		004744	N/A		
9	FLOAT ASSEMBLY	1		153748	N/A		
10	• COVER GASKET	1		001011	001011		
11	RUN CAPACITOR ASSEMBLY	1		154923	154923		
12	START CAPACITOR ASSEMBLY	1		153750	153750		
13	RELAY ASSEMBLY	1		153751	153751		
14	• WIRE PACK - AUTOMATIC AND NON-AUTOMATIC	1		153752	153752		
15	STATOR ASSEMBLY			153758	153758		
16	ROTOR ASSEMBLY			153759	153759		
17	IMPELLER ASSEMBLY - 803			153760	153760		
	IMPELLER ASSEMBLY - 805			153761	153761		
	IMPELLER ASSEMBLY - 807			153762	153762		
18	ADAPTER	1		153151	153151		
19	PUMP HOUSING	1		153152	153152		
20	CUTTER ASSEMBLY	1		153763	153763		
21	• DIELECTRIC OIL (40 OZ)	1		153764	153764		
22	• BEARING SPRING	1		017192	017192		
23	• BEARING - UPPER	1		006703	006703		
24	• KEY - WOODRUFF	1		006841	006841		
25	• BEARING - LOWER	1		010069	010069		
26	• SEAL - MOTOR HOUSING	1		001014	001014		
27	• SHAFT SEAL ASSEMBLY	1		011681	011681		
28	• THRU WALL TERMINAL	3		003402	003402		
29	• TEST PLUG	2		034090	034090		
30	• SCREW 1/4-20 X 1 LONG	12		007790	007790		
31	• SCREW #10-24 X 3/8 LONG	2	4	001883	001883		
32	• SCREW #6-32 X 1/4 LONG - GREEN	4		001877	001877		
33	• SCREW #6-32 X 7/16 LONG	3		004644	004644		
34	• SEM SCREW #10-24 X 3/8 LONG	1		002000	002000		
35	• SCREW #6-32 X 1/2 LONG	6		152866	152866		
36	• SCREW #10-24 X 5/8 LONG	1	4	001884	001884		
37	INSULATOR FLAG TERMINAL	2		001797	N/A		
□	REBUILD KIT	1		154486	154486		

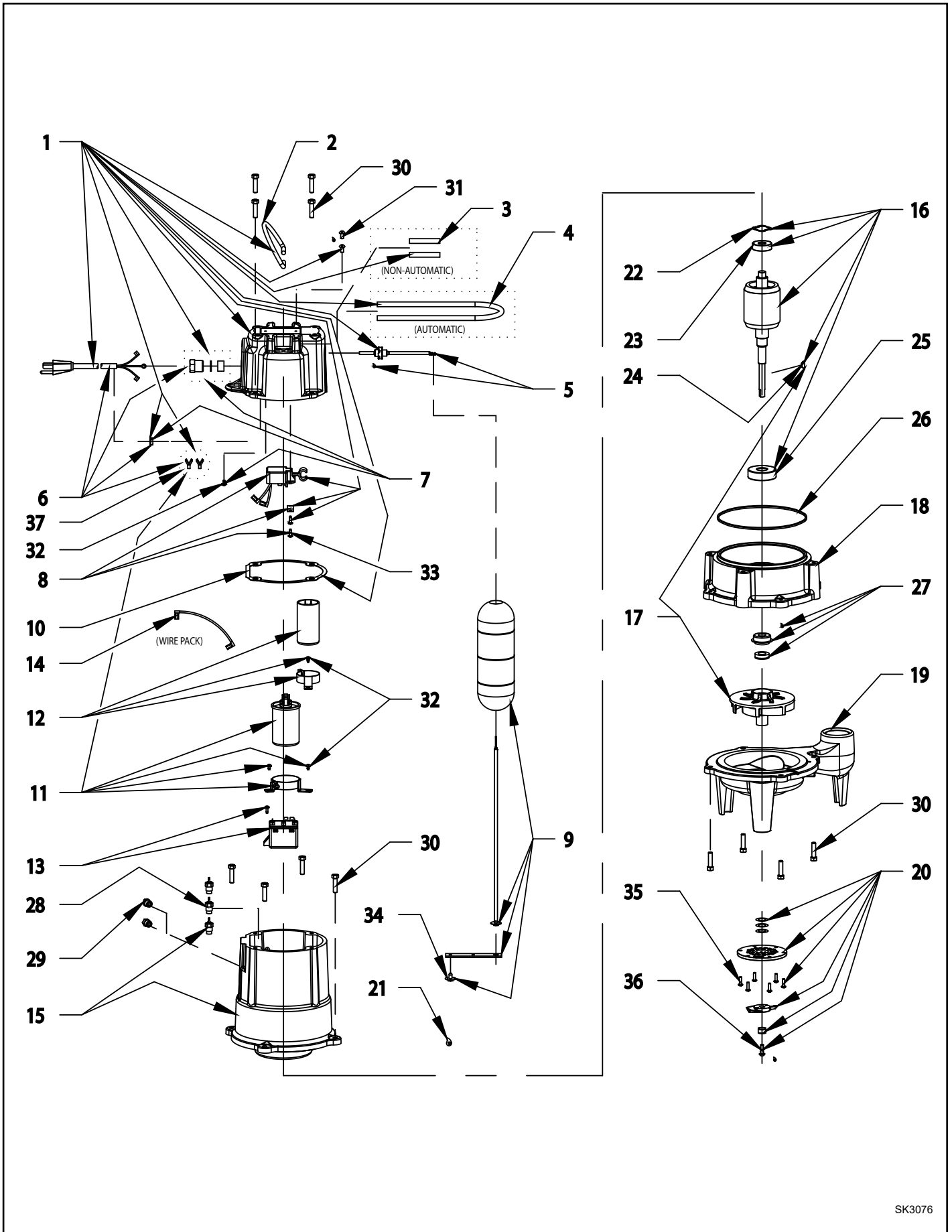
• Items included in Rebuild Kit.

□ Not shown in illustration.

NOTES:

- 1) See FM0160 Parts Price Sheet for listing of parts prices.
- 2) "NA" indicates, not applicable.
- 3) If an "X" follows model no., or date Mfg. on ID tag, consult factory for ordering any parts.
- 4) Apply Loctite thread locker #222.

**REPLACEMENT PARTS ILLUSTRATION FOR MODELS "U803","U805","U807","V803",
"V805", AND "V807"**



SK3076

NOTES



MAIL TO: P.O. BOX 16347 • Louisville, KY 40256-0347
SHIP TO: 3649 Cane Run Road • Louisville, KY 40211-1961
(502) 778-2731 • 1 (800) 928-PUMP • FAX (502) 774-3624

Trusted. Tested. Tough.®

Visit our website:
zoellerpumps.com