

Spider Valve[®]

Customizable Valve Assembly

Split flows evenly or custom
drill the orifices for unequal
lateral lines

Features:

- Fits in a 24" diameter access riser
- 3 feet of 1/2" diameter PVC flexible pipe on each discharge for ease of assembly
- 2" diameter SCH 80 PVC manifold with cleanout for equal pressurization and easy maintenance
- Pressurized splitting to a gravity disposal field
- Configurable manifold
- 1.65 GPM per outlet at 5' distal pressure

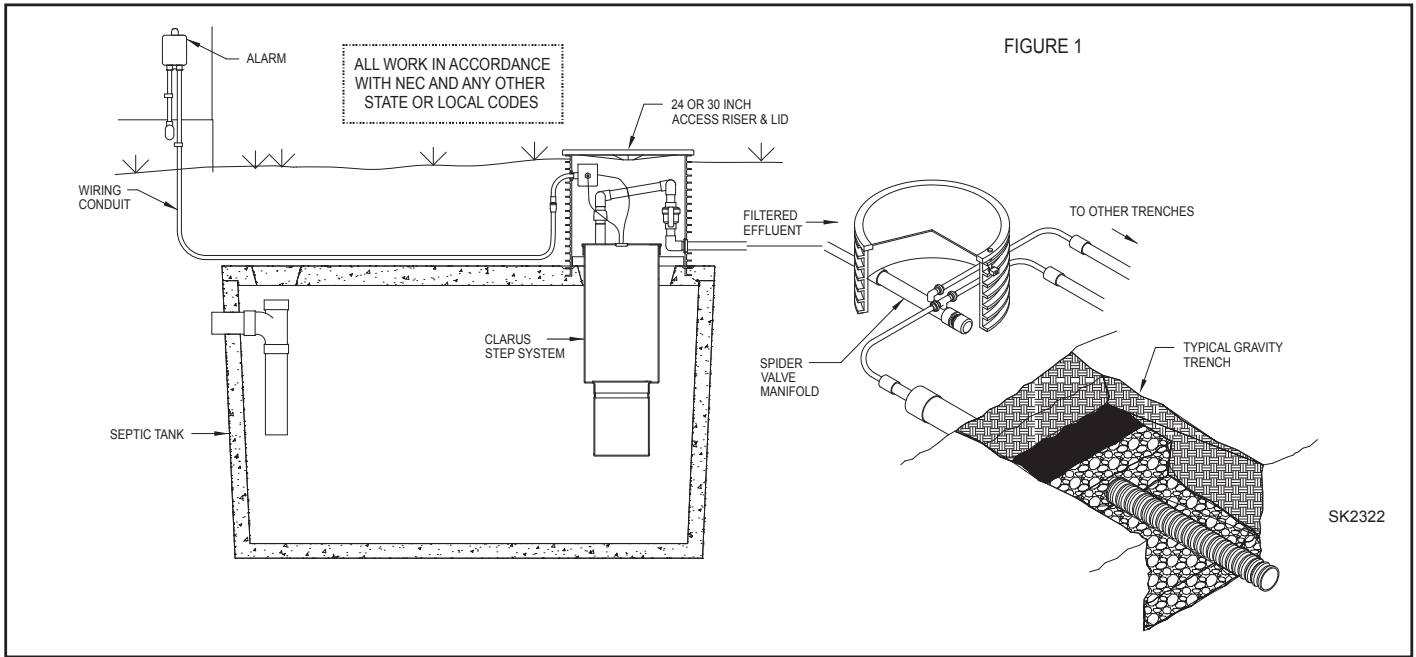


CLARUS 
ENVIRONMENTAL

Trusted. Tested. Tough.™

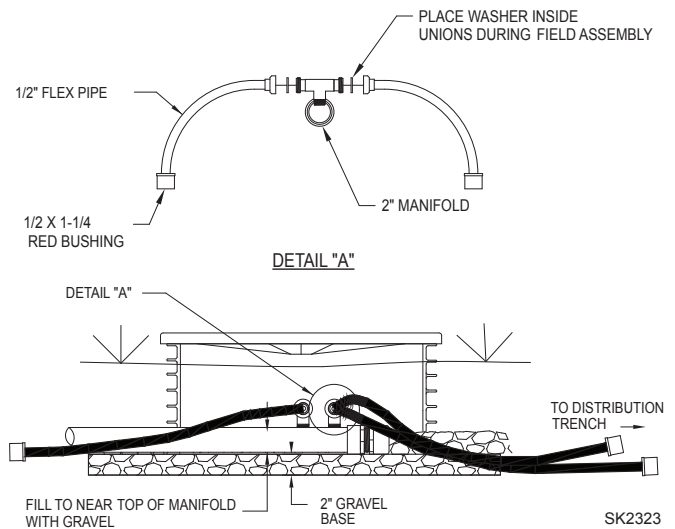
clarusenvironmental.com 800-928-7867
3649 Cane Run Road, Louisville, KY 40211 USA

CL0182



Installation Steps

1. Spider Valve® assembly must be installed at the high point of the system such that the effluent will gravity drain from the valve to the disposal trenches. Consult site plan and Figure 1.
2. At least 3' of distal pressure should be maintained on the manifold to ensure proper effluent splitting.



NOTE: For sizing help please consult Clarus Environmental at 1-800-928-7867 or use the Spider Valve® Orifice Sizing Tool to help design your onsite system at www.clarusenvironmental.com

Distal Pressure		Flow (GPM) per Orifice							
Feet*	psi	5/32"	3/16"	7/32"	1/4"	9/32"	5/16"	11/32"	3/8"
3	1.30	0.52	0.75	1.03	1.34	1.70	2.09	2.53	3.01
4	1.73	0.60	0.87	1.18	1.55	1.96	2.42	2.92	3.48
5	2.16	0.68	0.97	1.32	1.73	2.19	2.70	3.27	3.89
6	2.60	0.74	1.07	1.45	1.89	2.40	2.96	3.58	4.26

* The Distal Pressure selected will need to be added to the friction head and static head for the TDH.

