

Fusion® Series Treatment System

Models ZFL-2800 - ZFL-4000

INSTALLATION AND START-UP CHECK LIST

Owner Information	Installer Information
Owner's Name:	Name:
Address:	Address:
Installation Address (if different):	Lic. #:
Phone Number:	Phone Number:
Fax Number:	Fax Number:
Email Address:	Email Address:

General Information

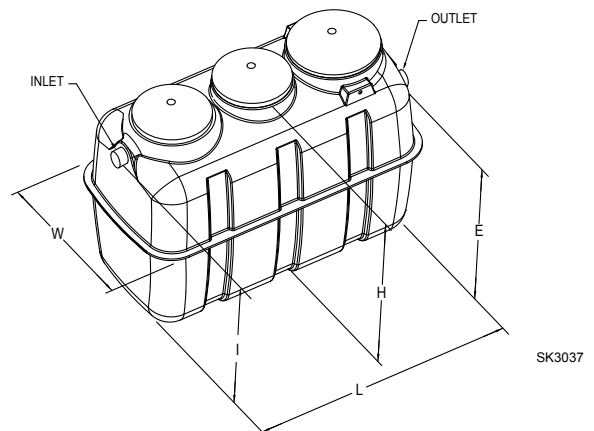
Fusion® Model: <input type="checkbox"/> ZFL-2800 <input type="checkbox"/> ZFL-3200 <input type="checkbox"/> ZFL-3600 <input type="checkbox"/> ZFL-4000	Installation Date: _____ Startup Date: _____ Septic Tank prior to Fusion®: <input type="checkbox"/> Yes <input type="checkbox"/> No Size: _____
Serial Number: _____	
Actual Number of Users: _____	Number of Bedrooms: _____
Type of Water Supply: <input type="checkbox"/> Municipal <input type="checkbox"/> Well <input type="checkbox"/> Cistern	Water Softener: <input type="checkbox"/> Yes <input type="checkbox"/> No Garbage Disposal: <input type="checkbox"/> Yes <input type="checkbox"/> No
Final Discharge: _____	System Type: <input type="checkbox"/> Repair <input type="checkbox"/> New Construction

I. Fusion® Layout

1. Fusion® laid-out to proper grades and depths? ___ Yes ___ No

II. Excavation

1. Size of Excavation L _____ W _____ H _____
(No more than 36" [30 cm] cover over Fusion®)
2. Rock/obstructions in excavation? ___ Yes ___ No
3. Water table present? ___ Yes ___ No
(Anti-flotation device required if yes)



FUSION® DIMENSIONS

SYSTEM	L	W	H	I	E
ZFL-2800	14' 8" (4.5 m)	7' 0" (2.1 m)	7' 10" (2.4 m)	6' 1" (1.9 m)	5' 7" (1.7 m)
ZFL-3200	15' 0" (4.6 m)	7' 5" (2.3 m)	7' 10" (2.4 m)	6' 1" (1.9 m)	5' 7" (1.7 m)
ZFL-3600	15' 5" (4.7 m)	7' 9" (2.4 m)	8' 0" (2.4 m)	6' 3" (1.9 m)	5' 9" (1.8 m)
ZFL-4000	15' 6" (4.7 m)	8' 0" (2.4 m)	8' 4" (2.5 m)	6' 7" (2.0 m)	6' 1" (1.9 m)

NOTES:

- Dimensions "I" and "E" are to the bottom of the inlet/outlet pipe.
- The overall height dimension "H" is to the top of the narrow adapter ring, not the riser lid.
- Riser kits are purchased separately.

The Fusion® Series Treatment Systems represent a collaboration with Fuji Clean Co., Ltd.

III. Fusion® Installation

- 1. Rock Pad 6" (15 cm) Deep? Yes No
(1/4" [6 mm] - 1/2" [13 mm] diameter gravel)
- 2. Fusion® Checked for Damage? Yes No
- 3. Fusion® Leveled? Yes No
- 4. Fusion® Secured by Anti-Flotation Device? Yes No
(Required in high water tables)
- 5. Fusion® Filled with Water? Yes No
- 6. Fusion® Checked for Leakage? Yes No
- 7. Risers Secured and Water-Tight? Yes No

IV. Control Panel Installation

- 1. Installed Properly? Yes No
(Check local requirements)
- 2. Blower Wired Properly? Yes No
- 3. Pressure Sensor Connections Checked? Yes No
- 4. Alarm Float Wired Properly? Yes No
- 5. Panel Tested and Operational? Yes No
- 6. Timer Dial Set to 36 hours? Yes No

V. Blower Installation

- 1. Installed Properly? Yes No
- 2. Accessible? Yes No
- 3. Well Ventilated? Yes No
- 4. Protected from Inundation/water damage? Yes No
- 5. Diameter of Air Line? _____ in/mm
- 6. Length of Air Line? _____ ft./m _____ in/mm
- 7. Airline Connections Checked? Yes No
- 8. Pressure Sensor Connections Checked? Yes No
- 9. Blower Tested and Operational? Yes No

VI. Fusion® Backfilling

- 1. Backfilled with Proper Material? Yes No
- 2. Backfill Tamped Around Fusion®? Yes No
- 3. Final Grade Mounded Around Fusion®? Yes No

VII. Startup

- 1. Blower Settings:
Time of Day Set? Yes No
Backwash Time Set? Yes No
Backwash Frequency Per Day: 1 2
Backwash Duration: 5 min. 10 min.
- 2. Recirculation Flow Rate:
sec/L _____ Valve Position _____%
- 3. Backwash Flow Rate:
sec/L _____ Valve Position _____%
- 4. Blower Returned to Auto-Backwash? Yes No
- 5. Riser Lids Secured with Screws? Yes No

Model	ZFL2800	ZFL3200	ZFL3600	ZFL4000
Recirculating flow rate (liter/min.)	9.7-15	11-17	13-19	14-21
Suggested Valve Opening	60-65%	55-60%	55-60%	50-55%

Model	ZFL2800	ZFL3200	ZFL3600	ZFL4000
Backwash flow rate (sec/liter)	50-70	54-75	58-81	63-89
Valve open (%)	60-70%	65-75%	60-70%	60-70%

NOTES

All Clarus Environmental products must be installed and maintained in accordance with all applicable codes and regulations. Product information presented here reflects conditions at time of publication. Consult factory regarding discrepancies or inconsistencies.