

Trusted. Tested. Tough.®

Product information presented here reflects conditions at time of publication. Consult factory regarding discrepancies or inconsistencies.



ENVIRONMENTAL

MAILTO: P.O. BOX 16347 • Louisville, KY 40256-0347
SHIPTO: 3649 Cane Run Road • Louisville, KY 40211-1961
(502) 778-2731 • 1 (800) 928-PUMP • FAX (502) 774-3624

SECTION: C1.40.131
CL0145
0113
Supersedes
New

Visit our web site:
clarusenvironmental.com

Replacement Parts List For Models:

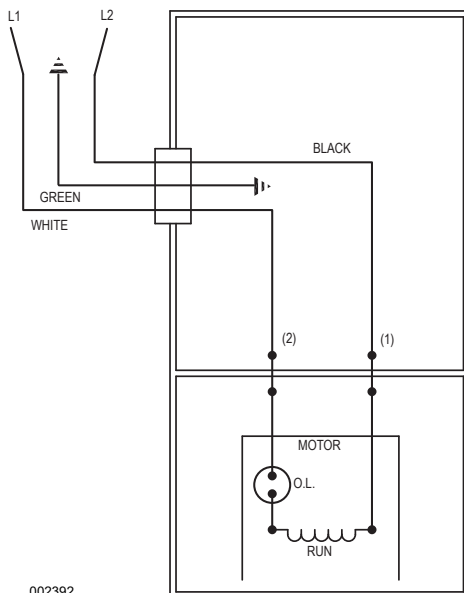
N51 AUTOMATIC 115V
WM51 AUTOMATIC W/WIRED FLOAT SWITCH 115V
BN51 NON-AUTOMATIC W/PIGGYBACK FLOAT SWITCH 115V

Consult factory for all other models.

TO ORDER REPLACEMENT PARTS:

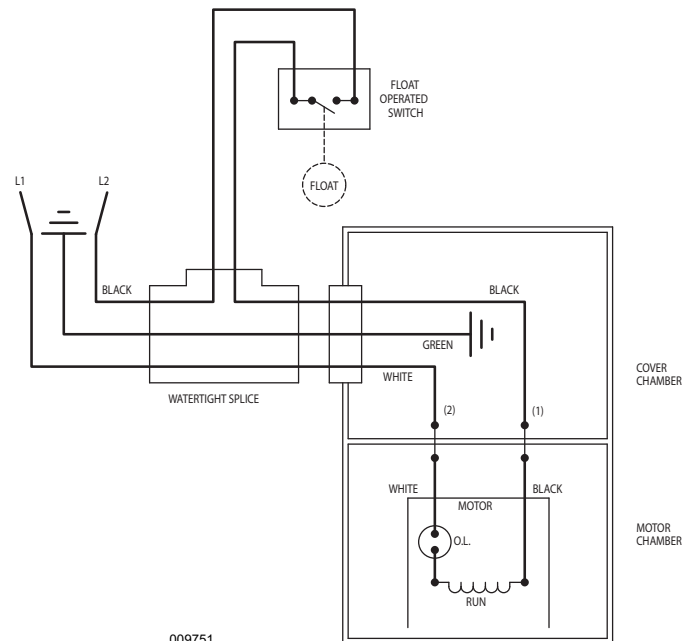
PLEASE FURNISH THE FOLLOWING INFORMATION:

- Model number
- Part number of pump
- Part number and description of part



002392

WIRING DIAGRAM FOR MODELS
"N51-A" and "BN51"
04/00 thru Present



009751

WIRING DIAGRAM FOR MODELS
"WM51-A",
04/00 thru 09/10

REPLACEMENT PARTS LIST FOR MODEL "N51" & "BN51"

See back page for illustration.

REF. NO.	DESCRIPTION	MODELS:		N51-A	BN51-A
		QTY	NOTES	4/00 thru Current	6/12 thru Current
1	• Gasket, case / cover	1		034046	034046
2	• Clamp, strain relief - #2F	1	1	004200	004200
3	• Seal, cord - assembly	1	1	004322	004322
4	Cord term & seal 115V / 15' / 18 - 3 SJTW-A / nonauto	1	1	004708	004708
5	Stator 115V / 1Ph GE unmachined	1		007951	007951
6	• Screw, stator 8 - 32 x 2.53 Lg	2		001914	001914
7	Rotor assembly 115V / 1Ph GE	1		054032	054032
8	• Seal, motor housing	1		034007	034007
9	• Washer, trst - nyl. 875 x .504 x .050"	1		002140	002140
10	• Oil, dielectric	1		002588	002588
11	Housing, pump - mach	1		057018	057018
12	• Seal assembly, shaft - blister pak	1		267027	267027
13	Impeller	1		150857	150857
14	Base - mach "51"	1		009457	009457
15	Cover & handle "50"	1		034067	034067
16	• Plug, test	2		034090	034090
17	• Seal, thru wall term	2		003402	003402
18	Housing, motor - & term assembly "50"	1		004712	004712
19	• Screw, #10 - 24 x .75 RHM - SS	16		001885	001885
20	• Screw, #6 - 32 x .25 Rhm sl tc stlgr	1		001877	001877
21	Switch, mech. float / SPB / 115V / 15' cord / 13 A / .5 H	1		NA	10-0034
☐	Rebuild kit "53 / 1053 / 55" (9/86 thru current)	1		004706	004706

- Items included in Rebuild Kit.
- ☐ Not Shown in Illustration.

NOTES:

- 1) Strain Relief (Item 2) can be purchased separately, but is included with Cord, Terminal & Seal Assembly (Item 4) and with Seal, Cord Assembly (Item 3).
- 2) If an "X" follows Model No., or Date Mfg. On ID tag, consult factory for ordering of this part.
- 3) Contact a Clarus representative for parts prices.
- 4) "NA" indicates not applicable.

REPLACEMENT PARTS LIST FOR MODELS "WM51"

See back page for illustration.

				MODEL:	WM51-A
REF. NO.	DESCRIPTION	QTY	NOTES	4/00 thru 9/10	
1	• Gasket, case / cover	1		034046	
2	• Clamp, strain relief - #2F	1	1	004200	
3	• Seal, cord - assembly	1	1	004322	
4	Cord term & seal 1150V / 15' / 16 - 3 SJOW-A/Y - splice	1	1	015703	
5	Stator 115V / 1Ph GE unmachined	1		007951	
6	• Screw, stator 8 - 32 x 2.53 Lg	2		001914	
7	Rotor assembly 115V / 1Ph GE	1		054032	
8	• Seal, motor housing	1		034007	
9	• Washer, trst - nylon 875 x .504 x .050"	1		002140	
10	• Oil, dielectric	1		002588	
11	Housing, pump - mach	1		057018	
12	• Seal assembly, shaft - blister pak	1		267027	
13	Impeller	1		150857	
14	Base - mach "51"	1		009457	
15	Cover & handle	1		034097	
16	• Plug, test	2		034090	
17	• Seal, thru wall term	2		003402	
18	Housing, motor - & term assembly "50"	1		004712	
19	• Screw, #10 - 24 x .75 RHM - SS	16		001885	
20	• Screw, #6 - 32 x .25 RHM sl tc stlgr	1		001877	
21	Hardware pak, switch / poly	1		009344	
22	Float rod retaining pin - mech switch	1		009121	
23	Float, mech switch	1		009119	
24	Rod, float - mech switch	1		009118	
25	Float rod stop - mech switch	2		009120	
☐	Rebuild kit "53/1053/55" (9/86 thru current)	1		004706	

- Items included in Rebuild Kit.
- ☐ Not Shown in Illustration.

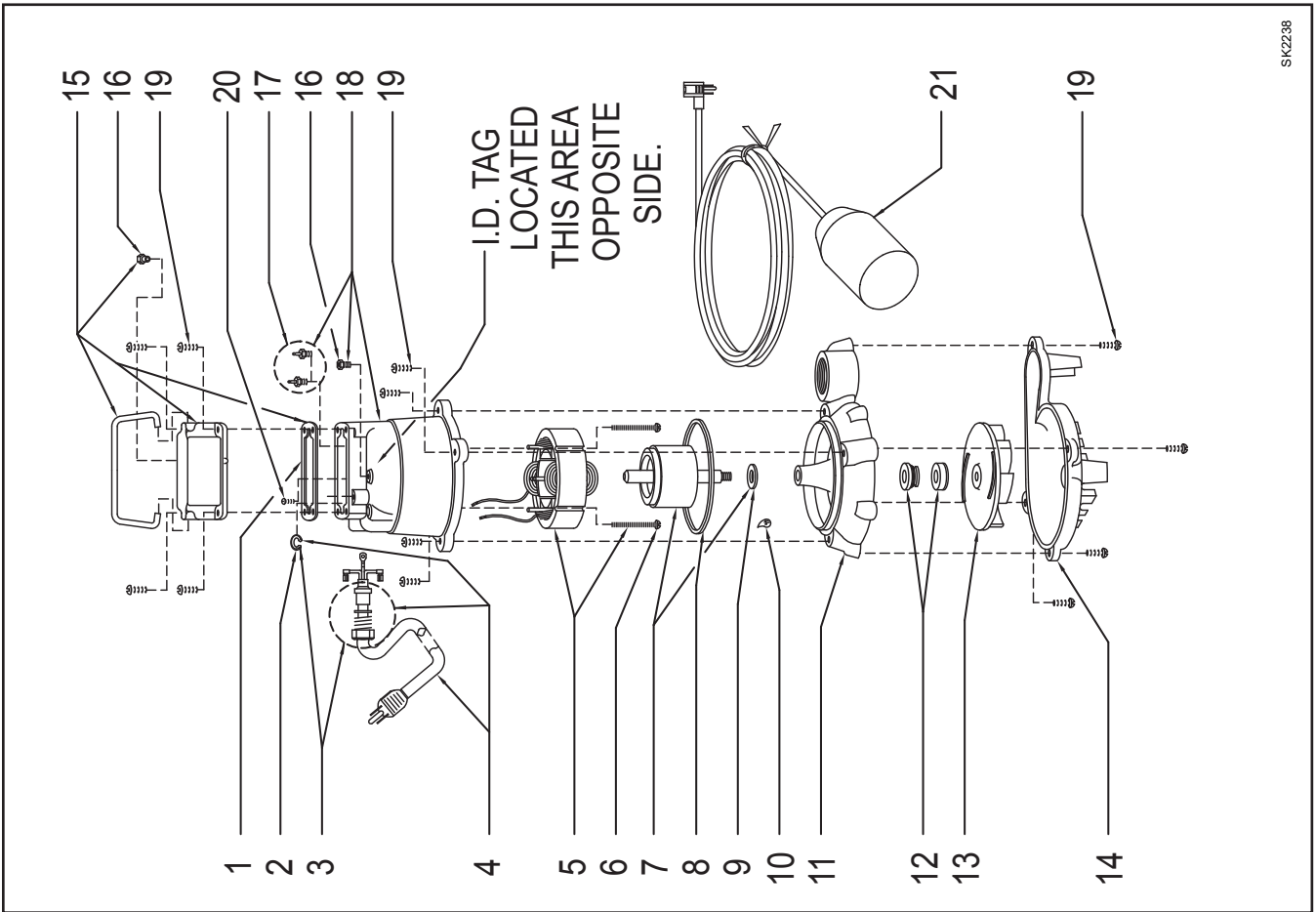
NOTES:

- 1) Strain Relief (Item 2) can be purchased separately, but is included with Cord, Terminal & Seal Assembly (Item 4) and with Seal, Cord Assembly (Item 3).
- 2) If an "X" follows Model No., or Date Mfg. On ID tag, consult factory for ordering of this part.
- 3) Contact a Clarus representative for parts prices.
- 4) "NA" indicates not applicable.

Trusted. Tested. Tough.®

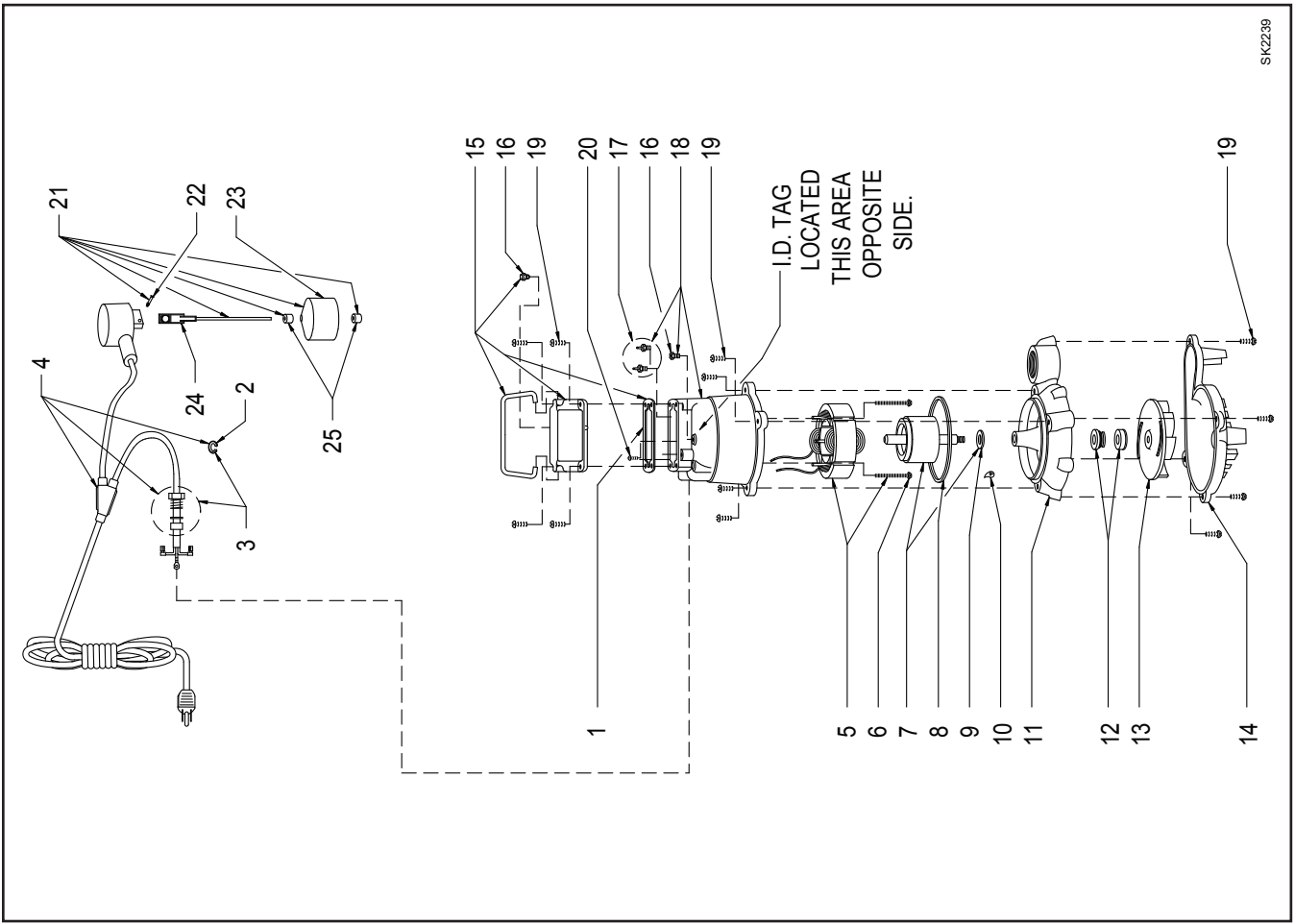
3649 Cane Run Rd. • Louisville, KY 40211-1961 • (502) 778-2731 • FAX: (502) 774-3624
 clarusenvironmental.com

REPLACEMENT PARTS ILLUSTRATION FOR N51 & BN51



SK2238

REPLACEMENT PARTS ILLUSTRATION FOR WM51



SK2239