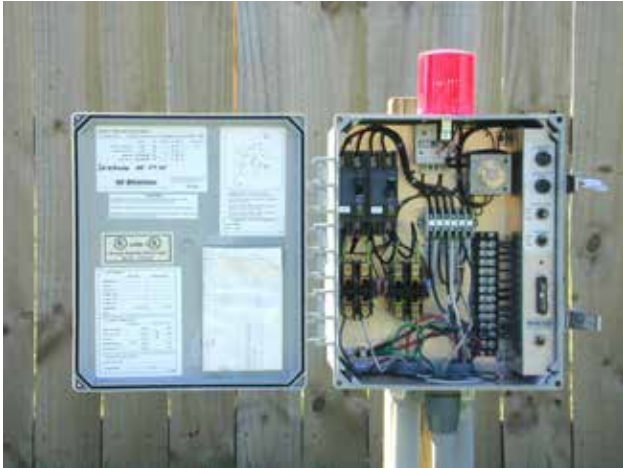


# Demand Dose Control Panels

## Demand Dose Control Panels For Simplex Or Duplex Installations



Zoeller Pump Company's demand dose control panels provide a simple but reliable means of operating pumps in most common applications. Demand dose control panels turn pumps on and off based upon the water levels in the tank or basin and make system operation and maintenance cleaner and easier than a wetwell pump switch. All Zoeller demand dose control panels listed have integrated audible and visual alarms, motor contactors, circuit breakers, pump run switches, as well as other convenient features. Units are available in either simplex or duplex versions and operate under a variety of voltages to meet most any need. Custom panels available.

### Features

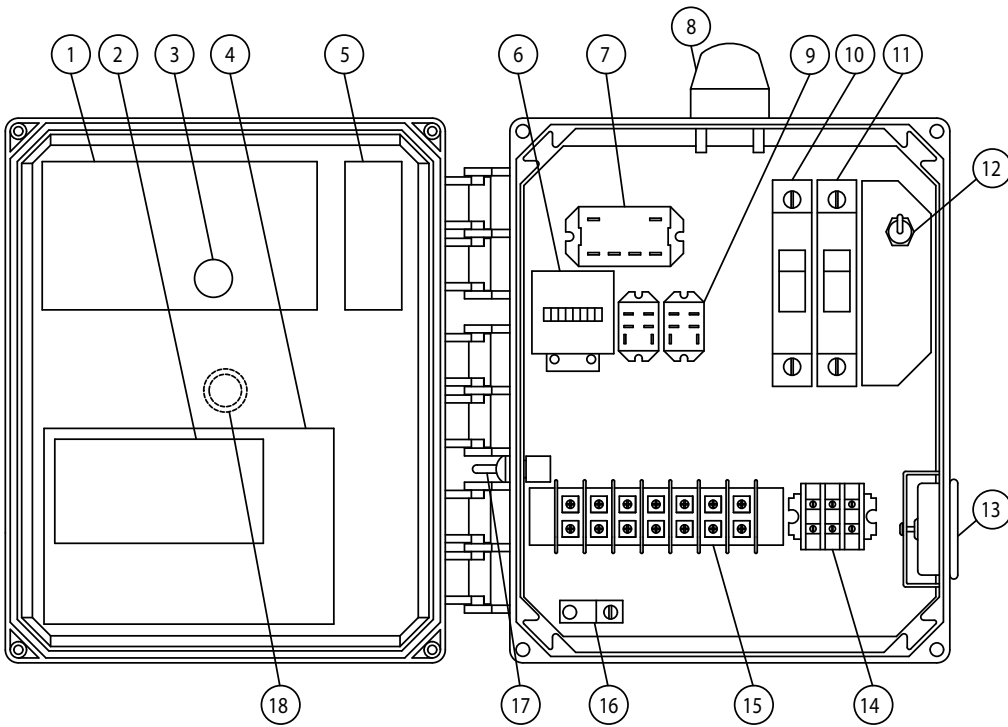
- NEMA 4X enclosure, UL listed
- Panels include three 20' control switches
- 115/200/230 volt, single phase models, 0-20 Amps
- Exterior alarm Test/Normal/Silence switch



Trusted. Tested. Tough.®

zoellerpumps.com 800-928-7867  
3649 Cane Run Road, Louisville, KY 40211 USA

3.20.182  
CL0108  
0121  
Supersedes  
0619



- NOTES:**
1. RATINGS LABEL
  2. PUMP SPEC. LABEL
  3. TESTED STAMP
  4. SCHEMATIC DIAGRAM
  5. UL LABEL
  6. ELAPSED TIME METER
  7. MOTOR CONTACTOR
  8. HIGH WATER ALARM INDICATOR LIGHT
  9. CONTROL RELAYS
  10. CONTROLS BREAKER
  11. PUMP BREAKER
  12. PUMP HOA SWITCH
  13. ALARM HORN
  14. INCOMING POWER TERMINAL BLOCK
  15. FLOAT HOOKUP TERMINAL BLOCK
  16. GROUND LUG
  17. ALARM TEST/NORMAL/SILENCE SWITCH
  18. POWER ON INDICATOR

SK3239

Part Number	Description
10-1036	Simplex / 115-200-230 V / 1 PH/ 0-7 amps/ Three 20' control floats
10-1037	Simplex / 115-200-230 V / 1 PH/ 7-15 amps/ Three 20' control floats
10-1043	Duplex / 115-200-230 V / 1 PH/ 0-7 amps/ Three 20' control floats
10-1044	Duplex / 115-200-230 V / 1 PH/ 7-15 amps/ Three 20' control floats