



3649 Cane Run Road • Louisville, KY 40211-1961, USA
 1-800-928-7867 • 1-502-778-2731 • Fax: 1-502-774-3624
 clarusenvironmental.com

CL0057
 0318
 Supersedes
 0815

Fusion® Series Treatment System

INSTALLATION AND START-UP CHECK LIST

Owner Information	Installer Information
Owner's Name:	Name:
Address:	Address:
Installation Address (if different):	Lic. #:
Phone Number:	Phone Number:
Fax Number:	Fax Number:
Email Address:	Email Address:

General Information	
Fusion® Model: <input type="checkbox"/> ZF-450 <input type="checkbox"/> ZF-800 <input type="checkbox"/> Other Serial Number: _____	Installation Date: _____ Startup Date: _____ Septic Tank prior to Fusion®: <input type="checkbox"/> Yes <input type="checkbox"/> No Size: _____
Actual Number of Residents: _____	Number of Bedrooms: _____
Type of Water Supply: <input type="checkbox"/> Municipal <input type="checkbox"/> Well <input type="checkbox"/> Cistern	Water Softener: <input type="checkbox"/> Yes <input type="checkbox"/> No Garbage Disposal: <input type="checkbox"/> Yes <input type="checkbox"/> No
Final Discharge: _____	System Type: <input type="checkbox"/> Repair <input type="checkbox"/> New Construction <input type="checkbox"/> Demo.

I. Fusion® Layout

1. Fusion® laid-out to proper grades and depths? ___ Yes ___ No

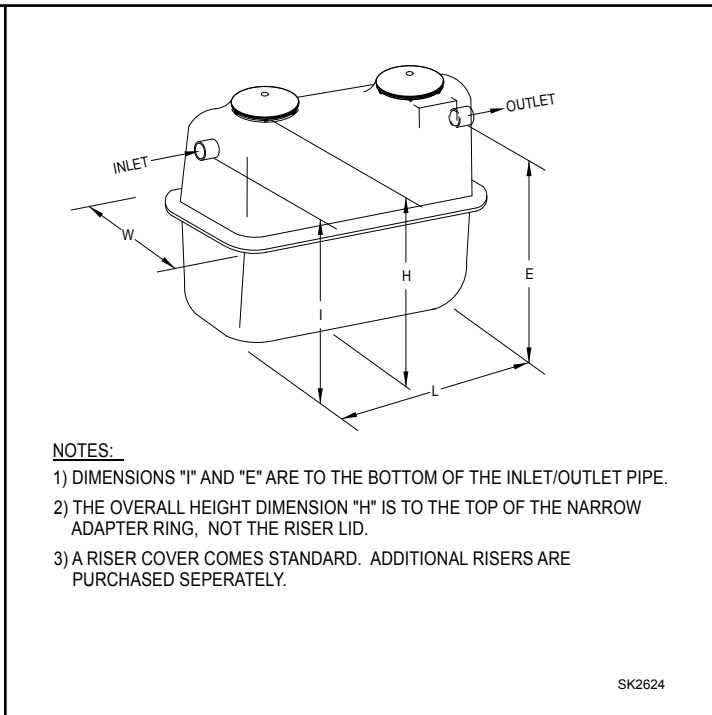
II. Excavation

1. Size of Excavation L _____ W _____ H _____
 (No more than 36" cover over Fusion®)

2. Rock/obstructions in excavation? ___ Yes ___ No

3. Water table present? ___ Yes ___ No
 (Anti-flotation device required if yes)

Fusion® DIMENSIONS					
SYSTEM	L	W	H	I	E
Fusion® 450	7'-1"	3'-8"	5'-2"	4'-4"	3'-10"
Fusion® 800	8'-3"	4'-8"	6'-2"	5'-4"	4'-10"



SK2624

III. Fusion® Installation

- 1. Rock Pad 4-6 Inches Deep? Yes No
(1/4" - 1/2" diameter gravel)
- 2. Fusion® Checked for Damage? Yes No
- 3. Fusion® Leveled? Yes No
- 4. Fusion® Secured by Anti-Flotation Device? Yes No
(Required in high water tables)
- 5. Fusion® Filled with Water? Yes No
- 6. Fusion® Checked for Leakage? Yes No
- 7. Risers Secured and Water-Tight? Yes No

IV. Control Panel Installation

- 1. Installed Properly? Yes No
(Check National Electrical Code and Local/State Codes)
- 2. Blower Wired Properly? Yes No
- 3. Pressure Sensor Connections Checked? Yes No
- 4. Alarm Float Wired Properly? Yes No
- 5. Panel Tested and Operational? Yes No
- 6. Timer Dial Set to 36 hours? Yes No

V. Blower Installation

- 1. Installed Properly? Yes No
- 2. Accessible? Yes No
- 3. Well Ventilated? Yes No
- 4. Protected from Inundation? Yes No
- 5. Diameter of Air Line? _____ Inches
- 6. Length of Air Line? _____ Ft. _____ Inches
- 7. Airline Connections Checked? Yes No
- 8. Pressure Sensor Connections Checked? Yes No
- 9. Blower Tested and Operational? Yes No

VI. Fusion® Backfilling

- 1. Backfilled with Proper Material? Yes No
- 2. Backfill Tamped Around Fusion®? Yes No
- 3. Final Grade Mounded Around Fusion®? Yes No

VII. Startup

- 1. Blower Settings:
Time of Day Set? Yes No
Backwash Time Set? Yes No
Backwash Frequency Per Day: 1 2
Backwash Duration: 5 min. 10 min.
- 2. Recirculation Flow Rate:
sec/L _____ Valve Position _____%
- 3. Backwash Flow Rate:
sec/L _____ Valve Position _____%
- 4. Blower Returned to Auto-Backwash? Yes No
- 5. Riser Lids Secured with Screws? Yes No

Model	ZF450	ZF800
Recirculating Flow Rate (sec/liter)	29 - 45	14 - 22
Suggested Valve Opening %	35 - 40	30 - 35

Model	Frequency	ZF450	ZF800
Backwash Flow Rate (sec/liter)	Twice/day	7 - 10	4 - 6
Valve Open (%)	Twice/day	50 - 55	40 - 45

NOTES

All Clarus Environmental products must be installed and maintained in accordance with all applicable codes and regulations. Product information presented here reflects conditions at time of publication. Consult factory regarding discrepancies or inconsistencies.