

Centrifugal STEP Vaults

Includes Filter Pack With Handle And Pump Chamber Preassembled At Factory.



Standard Version



Extended Version

Features

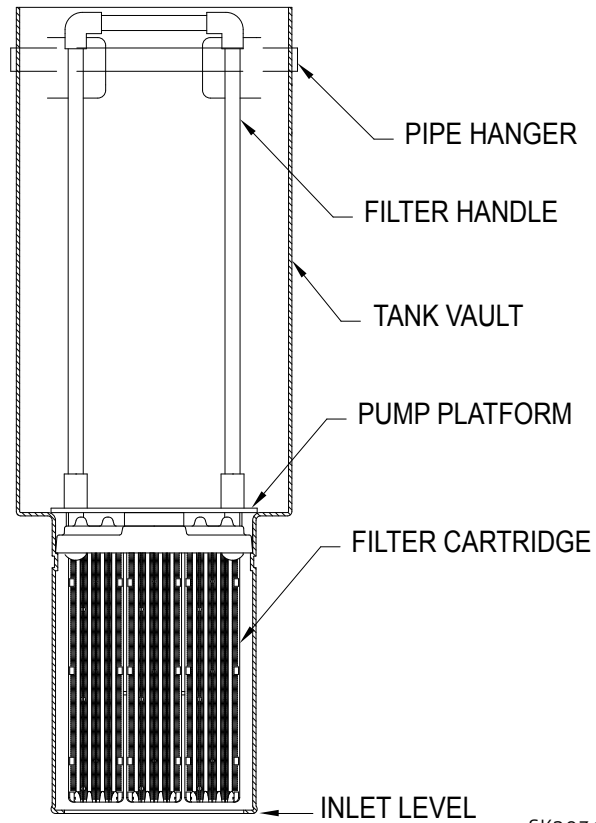
- Vault heights from 46" to 63" are available
- All vaults fit in an 18" septic tank opening
- Preassembled simplex packages with controls are available
- Non-corrodible polyethylene vault and polypropylene filter pack
- Incorporated filters screen solids to 1/16 inch
- Each Centrifugal STEP vault includes a removable filter pack with a handle
- STEP vault must hang as inlet is on the bottom



Trusted. Tested. Tough.®

zoellerpumps.com 800-928-7867
3649 Cane Run Road, Louisville, KY 40211 USA

CL0033
0221
Supersedes
0319



SK2031

Zoeller Pump Company Centrifugal STEP Vault includes filter pack with handle and pump chamber preassembled at the factory.

Centrifugal STEP system stand available.

Centrifugal STEP Vaults	
Part Number	Description
5040-0001	Centrifugal STEP vault / 46"
5040-0026	Centrifugal STEP vault / 50"
5040-0027	Centrifugal STEP vault / 63"
5040-0041	Centrifugal STEP system stand