

Turbine STEP Vaults

Easily Add A Filtered Pump Chamber Without
Installing A New Tank



Features

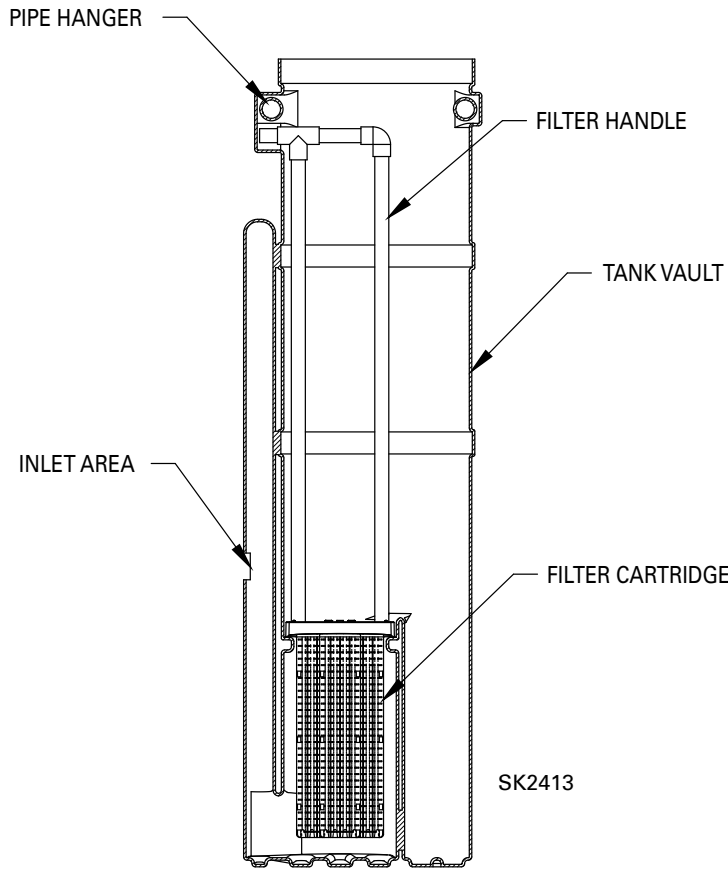
- Vault heights from 51" to 120"
- All vaults fit in an 18" septic tank opening
- Preassembled packages with controls are available
- Accommodates 1/2 hp through 5 hp, 11 gpm through 85 gpm turbine pumps
- Vault inlet can be factory cut or field cut by the contractor
- Each turbine STEP vault includes a removable filter pack with a handle
- Incorporated filters screen solids to 1/16 inch.



Trusted. Tested. Tough.®

zoellerpumps.com 800-928-7867
3649 Cane Run Road, Louisville, KY 40211 USA

CL0021
0121
Supersedes
0119



Zoeller Pump Company Turbine STEP Vaults include a filter pack with handle and are preassembled in the factory.

Filter Size: 1/16 Inch
 Filter Slot length: 924 Linear Feet
 Flow Rate: 7,000 GPD Max

| Turbine STEP Vaults | |
|---------------------|--|
| Part Number | Description |
| 5041-0001 | 60" Factory cut, 2"x 5" inlet, 22.5" from bottom |
| 5041-0002 | 60" Field cut |
| 5041-0025 | 66" Field cut |
| 5041-0026 | 72" Field cut |
| 5041-0027 | 78" Field cut |
| 5041-0028 | 84" Field cut |
| 5041-0029 | 90" Field cut |
| 5041-0030 | 96" Field cut |
| 5041-0033 | 66" Factory cut, 2"x 5" inlet, 18" from bottom |
| 5041-0034 | 51" Field cut |
| 5041-0048 | 51" Factory cut, 2"x 5" inlet, 18" from bottom |
| 5041-0049 | 120" Field cut |
| 5041-0055 | 108" Factory cut, 2" x 5" inlet, 22.5" from bottom |
| 5041-0056 | 108" Field cut |

Product information presented here reflects conditions at time of publication. Consult factory regarding discrepancies or inconsistency. Copyright Zoeller Company. All rights reserved.

